

Logan 1, 2 and 3 Light Vanity

TV1111, TV1122, TV1133 | 1.0

GENERATION LIGHTING

Vanity

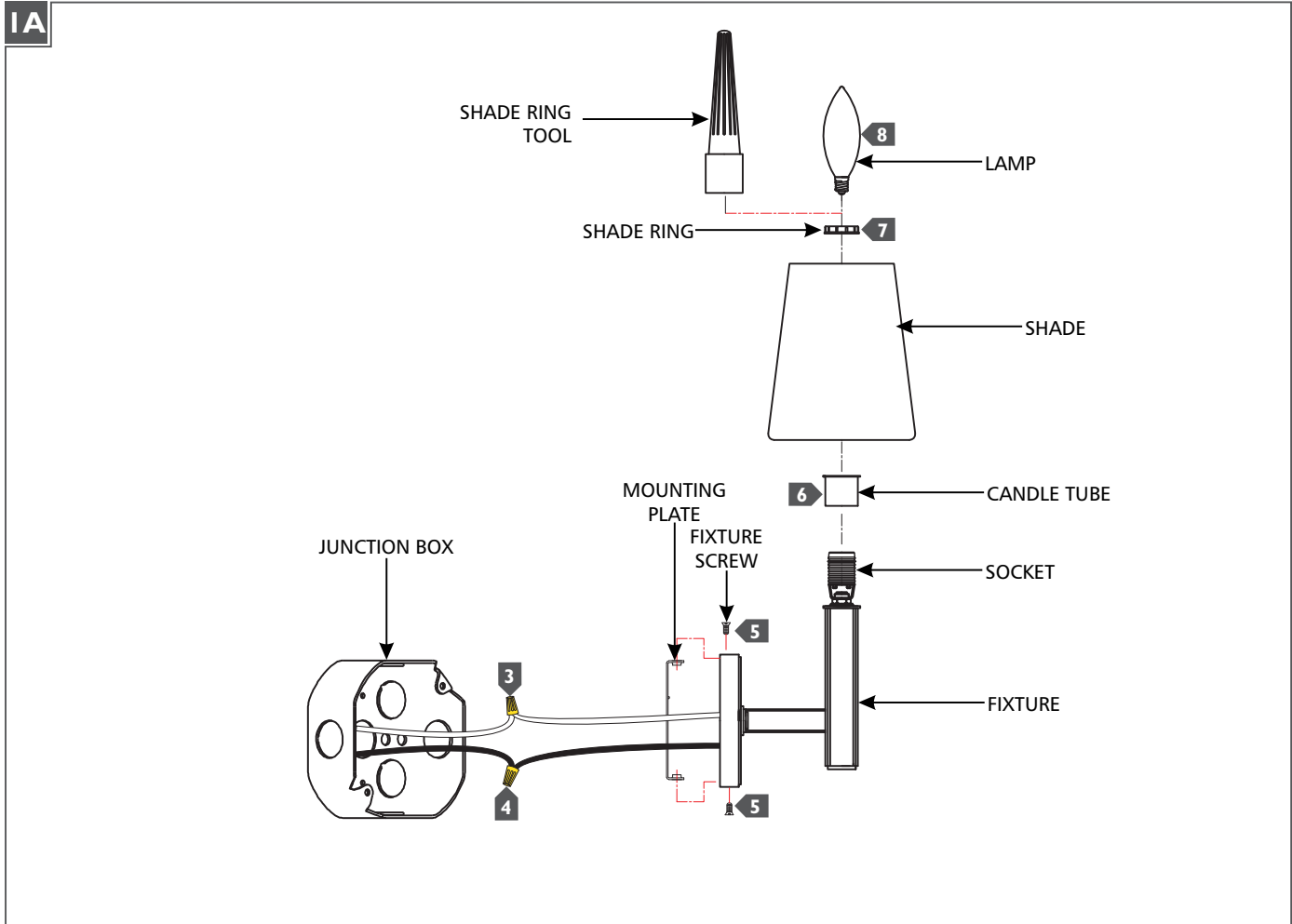
GENERAL PRODUCT INFORMATION:

These fixtures are intended to be installed utilizing NEC compliant junction boxes.

This product is safety listed for damp locations.

Incandescent lamps may be dimmed with a standard incandescent dimmer. LED lamps may be dimmed with a LED dimmer. Consult lamp manufacturer for additional information.

CAUTION - RISK OF FIRE
 This product must be installed in accordance with the applicable installation code by a person familiar with the construction and operation of the product and the hazards involved.
Use minimum 90°C supply conductors.



- 1** Secure the mounting plate to the junction box.
- 2** Connect the fixture ground wire to a suitable ground in accordance to local electrical codes.
- 3** Connect the white fixture wire to the neutral power line wire with a wire nut.
- 4** Connect the black fixture wire to the hot power line wire with a wire nut.
- 5** Mount the fixture onto the mounting plate and secure it in place with the fixture screws.
- 6** Install the candle tube(s) by placing it over the socket(s).
- 7** Install the shade(s) by placing it over the socket(s) then use the shade ring tool to tighten the shade ring onto the socket.
- 8** Screw the lamp(s) into the socket(s). Refer to the label on the socket for Max Wattage Information.

SAVE THESE INSTRUCTIONS!

GENERATION LIGHTING

7400 Linder Ave, Skokie, IL 160077

800.969.3347

www.generationlighting.com

© 2019 Generation Lighting. All rights reserved.

The "Generation Lighting" graphic is a registered trademark of Generation Lighting. Generation Lighting reserves the right to change specifications for product improvements without notification.