

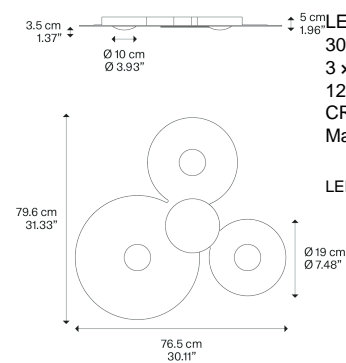
Bugia,
Design by Studio Italia Design

Model Bugia Mega

Round, compact forms featuring elegant finishes with a centre that shines like a precious stone. Once lit up, Bugia amazes with the unexpected effect of its light. A surprising and harmonious balance between direct and indirect light, diffused both downward and up toward the ceiling. A rich family of ceiling lights, in *Single, Double, Triple* and now also *Mega* versions.



Bugia Mega



Light source

LED
3000 K
3 x 18 W / 5400 lm
120 V
CRI 90
MacAdam 3-Step

LED included

Structure: Metal

Matte White – 9010
Matte White – 9010
Matte White – 9010
Matte White – 9010
Matte White – 9010

Diffuser: Methacrylate

White
Gold
Chrome
Glossy Bronze
Glossy Black – 9005

Code

161453
161454
161455
161456
161464

Net weight: 9.70 lbs

Parcels: 2



IP20

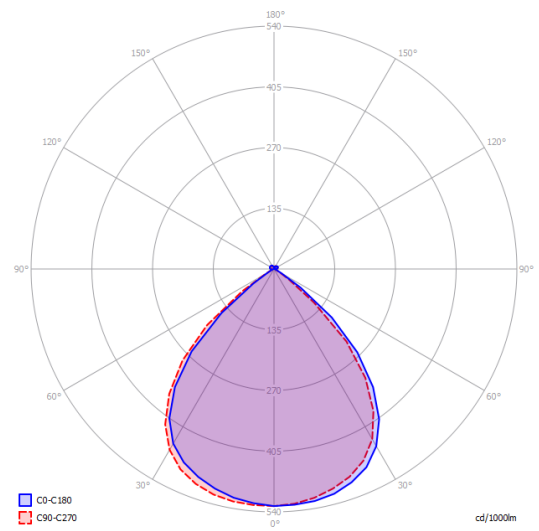
Energy Saving

Dim Triac

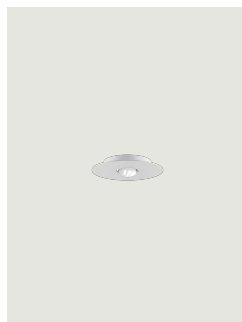
Bugia Mega

Polar diagram

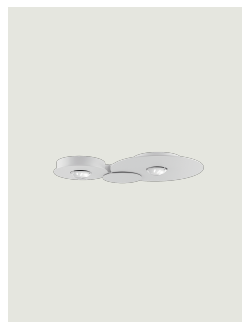
LED
3000 K
3 × 18 W / 5400 lm
120 V
CRI 90
MacAdam 3-Step



Options of Bugia



Bugia Single



Bugia Double



Bugia Triple