

LINE WAVE 2 CHANDELIER

PRODUCT FEATURES

- Unsystematic pattern of asymmetric lengths converge as a dramatic chandelier
- Candelabra based bulbs provide soft illumination
- Fully dimmable with most dimmers to create the desired ambiance in your special space
- Aluminum alloy construction for a light, durable structure
- Ideal for both residential and commercial lighting applications
- Protected by a 1-year warranty



Satin Nickel

LAMPING

Includes four 6" stems and six 12" stems. Available with or without lamp. (14) E12 Candelabra base sockets 25w max. LED version includes (14) 2 watt 2306 total delivered lumens 90CRI 2700K LED T6. Dimmable with a low-voltage electronic dimmer. 120v. Cannot be installed on sloped ceiling.



Aged Brass

Satin Nickel

ORDERING INFORMATION

700	SYSTEM	LNV	FINISH	LAMP
	LS LINEAR SUSPENSION		R AGED BRASS S SATIN NICKEL	NO LAMP -LED927 T6 LED 90 CRI 2700K 120V (T20/T24)

700 _____ LNV _____

JOB NAME _____

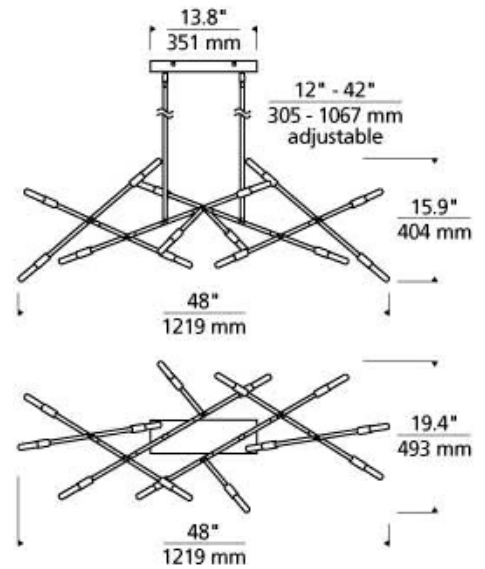
NOTES _____



LINE WAVE 2 CHANDELIER

SPECIFICATIONS

HARDWARE MATERIAL	Metal
SHADE MATERIAL	Steel
NET WEIGHT	9.5 lbs
HEIGHT	15.9in
WIDTH	19.4in
LENGTH	48in
UP LIGHT / DOWN LIGHT / BOTH?	
WET LISTED	
DAMP LISTED	Yes
DRY LISTED	
MIN. HANGING HEIGHT	29.4in
MAX HANGING HEIGHT	65.4in
TOTAL CORD LENGTH	
TOTAL STEM LENGTH	Up to 96in
STEM QTY	10
SLOPED CEILING ADAPTABLE?	N/A
GENERAL LISTING	ETL Listed
INCLUDES	



LAMPING SPECIFICATIONS

	LED LAMP	INTEGRATED LED	NON LED	NO LAMP
DELIVERED LUMENS	2800			
WATTS	2			
MAX WATTAGE PER BULB	25W			25W
INPUT VOLTAGE	120V			120V
DIMMING TYPE*	ELV, TRIAC			ELV, TRIAC
CCT	2700K			
CRI	90 CRI			
LED LIFETIME				
L70	>25000			
AVERAGE BULB HOURS				
FIELD SERVICEABLE LED				
LAMP BASE	E12 Candelabra Base			E12 Candelabra Base
LAMP SHAPE	T6			T6
LAMP INCLUDED?	Y			N
WARRANTY**	1 Year			1 Year

*Dimming information available at www.techlighting.com/Downloads#dimming

** Visit techlighting.com for specific warranty limitations and details.

T20 / T24 INFORMATION

	Integrated LED	Replacement LED Lamp	No Lamp *
This product can be used to comply with California Building Energy Efficiency Standards 2016 Title 24 Part 6.		Yes	N/A
This product can be used to comply with California Appliance Efficiency Standards 2016 Title 20 and may be shipped to and sold in California.		Yes	N/A

* If a light fixture or component does not include a lamp or light source, it is the responsibility of the customer to select a lamp that meets the T24 and T20 requirements.

