

Light Bulb, tavolo

by James Wines

FOSCARINI



DESCRIPTION

“The Light Bulb Series” is a signature collection that comes from reflections on the light bulb as archetype, with its typical form interpreted in a series of surprising cogitations. James Wines develops these ideas around the main themes that have permeated his architectural research: inversion, melting, nature, all the states of “architectural mishap” that make it possible to rethink reality. Composed of 5 pieces, the complete series is particularly made with collectors in mind, and is sold in a numbered limited edition. Foscarini also offers a spin-off of the collection, for a wider audience: two lamps from the series – White Light and Black Light – can now be purchased separately. While White Light represents the matrix, the basic icon of the object-lamp, still intact as a lighting archetype, Black Light works on the concept of inversion, a typical parameter in the work of James Wines. Here, in fact, we have the bulb housing that emits light, while the bulb itself remains black and “dark”. An affordable temptation for those who are fascinated by the conceptual approach and critical reflections of James Wines.

MATERIALS

Blown glass and aluminium

COLORS

White Light, Black Light

Light Bulb, tavolo

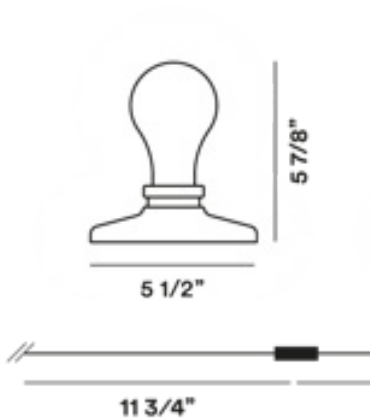
technical details

FOSCARINI

Table lamp with diffused light and built-in LED. The lamp body consists of hand-blown glass which is subsequently painted in the black version. The flow of LED light is conveyed along a transparent PMMA cylinder located inside the glass bulb. The diffuser rests on an aluminium base and a metal ballast. Dimmer on the electrical cable and transformer on the plug.

White Light

SCHEMATIC & LIGHT EMISSION



MATERIAL

Blown glass and aluminium

COLORS



ACCESSORIES

Light Bulb

LIGHT SOURCE

3W

2700 K 440 lm 146 lm/W CRI>80

Dimmer included

CERTIFICATIONS

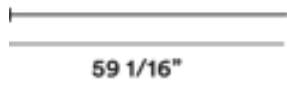
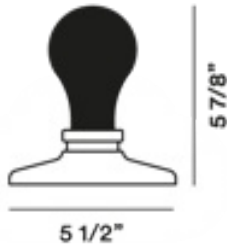
Light Bulb, tavolo

technical details

FOSCARINI

Black Light

SCHEMATIC & LIGHT EMISSION



MATERIAL

Blown glass and aluminium

COLORS



ACCESSORIES

Light Bulb

LIGHT SOURCE

3W

2700 K 440 lm 146 lm/W CRI>80

Dimmer included

CERTIFICATIONS

Light Bulb, tavolo

Designer

FOSCARINI

JAMES WINES

James Wines, winner of the National Design Award for Lifetime Achievement in 2013, is the president and founder of SITE, the architecture, environmental art and design group created in 1970 in New York. He has designed over 150 buildings in 11 countries, and he has received 25 prizes for art and design. The focus of his work is the fusion of art, architecture and landscape in the surrounding context. A professor of Architecture at Penn State University, he continues to write and conduct lectures on an international level, concentrating on integrative thinking and environmental themes.

The story of the collaboration between Foscarini and James Wines unfolds across a span of nearly 30 years. Its roots date back to 1991, with Table Light / Wall Light, the first piece made by Foscarini with Wines' SITE group. Some years later, the paths of Foscarini and SITE crossed again, thanks to an extensive profile published in *Inventario*. This led to Foscarini's idea of reviving the first project, transforming it into a collection of editions of lamps and objects.



Light Bulb, tavolo
family

FOSCARINI