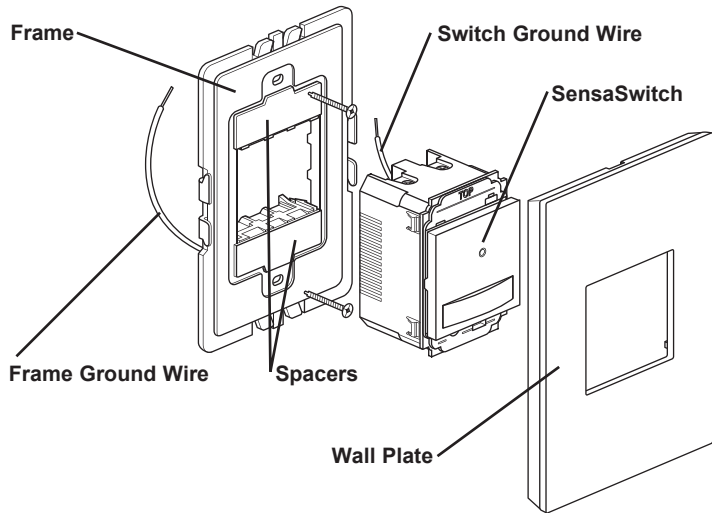


Catalog Number(s): ASOS32

Country of Origin: Made in China

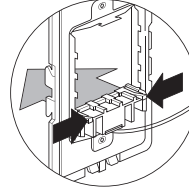


For more information and helpful how-to videos, visit www.adornemyhome.com/install.

INSTALLATION INSTRUCTIONS

Please read these instructions completely before you begin. **adorne™** sensors are designed for installation in standard electrical boxes. However, some of the installation methods vary slightly from traditional methods. If you do not understand these instructions or are unsure of your abilities, seek the assistance of a qualified electrician.

Remove spacers from the frame. Since this sensor fills the frame completely, you will not need the spacers. From the back of the frame, pinch the tabs on the spacer to release.



NOTE: NEUTRAL wire is not required for sensor to function properly.

Use only with Legrand adorne™ system.

SPECIFICATIONS

- Voltage - 120VAC, 60Hz
- Load (Single Pole or Multi-way)
- Incandescent or LED lamp: 0-600 Watt
- Fluorescent lamp: 0-600 VA
- Fan Motor: 1/6 hp
- Adjustable Time Delay - 5 sec (test mode), 30 sec - 30 min
- Environment - Residential Indoor Use Only
- Humidity - 95% RH, non-condensing

Installation Shall Be In Accordance With All Applicable Regulations, Local And NEC Codes.

1

WARNING
To prevent severe shock or electrocution, always disconnect power at the service panel before beginning work.

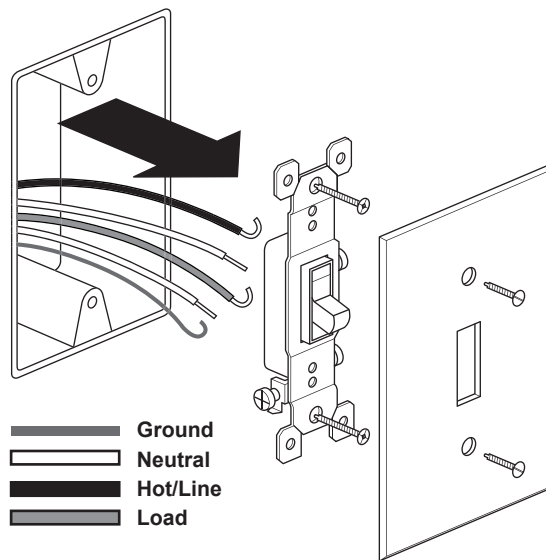
When replacing existing switches, label wires before disconnecting. Disconnect old switch.

Briefly restore power and use a line voltage meter to identify the wires.

- HOT or LINE (usually black) - runs from service panel to switch
- LOAD Runs from switch to fixture
- NEUTRAL (usually white) The old switch may not have used a NEUTRAL wire, but it is usually available in the box.
- GROUND - bare copper or Green wire with or without yellow stripe

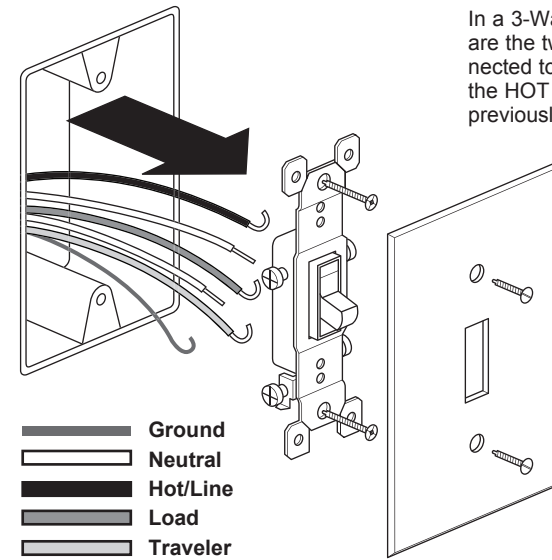
DISCONNECT power at the service panel once you've identified the wires.

Single Pole



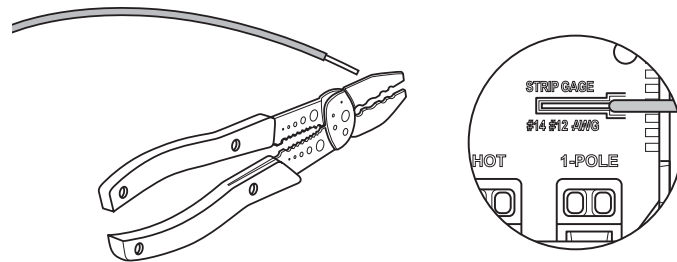
3-Way

In a 3-Way circuit, Traveler wires are the two insulated wires connected to the switch that are NOT the HOT wire that you identified previously.



2

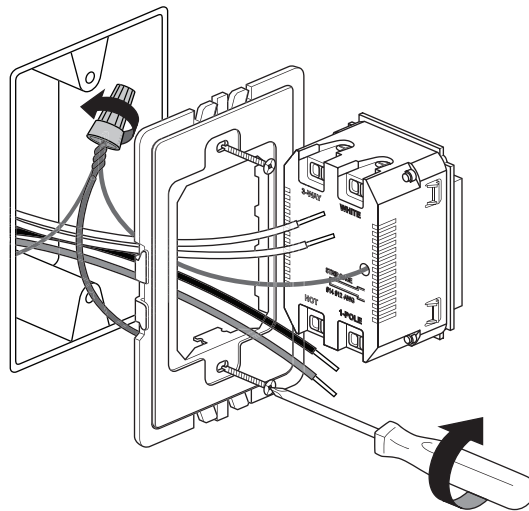
If necessary, cut wires and strip insulation using stripping guide on back of switch.



3

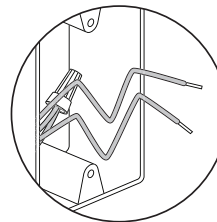
WARNING
To Reduce Risk of Electrical Shock, unit shall be properly grounded in accordance with NEC and Local Codes. Failure to connect the ground wire will result in an unsafe installation that could lead to personal injury.

Connect frame ground wire and sensor ground wire to bare ground wire in box. Fold ground wires into back of box. Mount frame to wall box with screws provided. Tighten screws just enough to hold frame in place. Do NOT over-tighten.



TIPS

- Pre-fold wires into wall box to make it easier to fit them in the box when sensor is connected.
- Use caution to avoid marring wall surface with the metal frame.



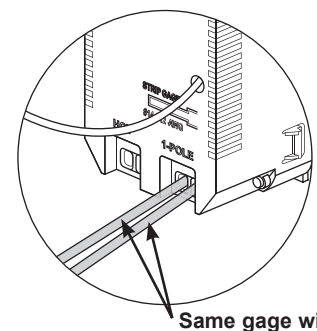
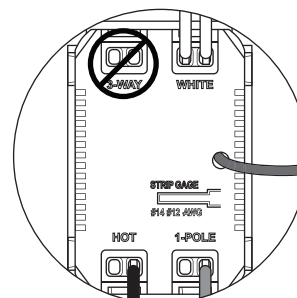
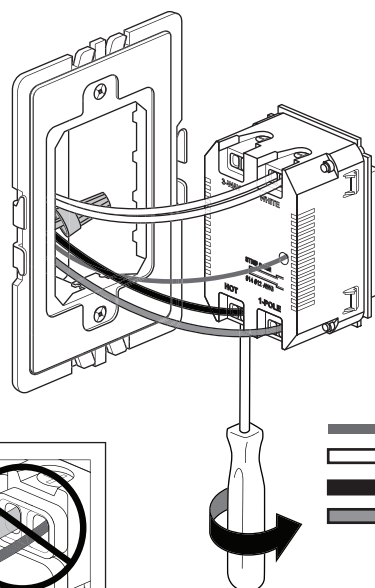
4

Single Pole

Connect sensor as shown. Insert wires into terminals and tighten screws securely.

- Connect LINE wire to HOT terminal on sensor
- Connect LOAD wire to 1-POLE terminal
- Connect NEUTRAL from the circuit and from lamp (LOAD) to WHITE terminal

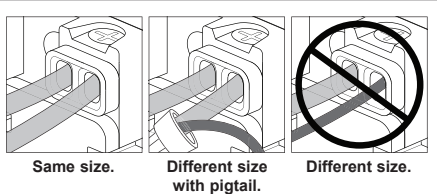
NOTE: NEUTRAL wire is not required for sensor to function properly.



Same gage wires

NOTE: When two wires connect to the same terminal on the switch, both wires must be the same gage (12AWG or 14AWG.) If they are not the same gage, you will not have a secure connection

WARNING: Do not pair different size wires in the same terminal. If you have different size wires, use a wire nut to add a 6 inch pigtail of the same gauge wire to the smaller gauge wire.



4 3-Way

The term master designates the sensor that connects to the load. The term auxiliary refers to the sensor that does not connect to the load.

Master

- Connect NEUTRAL wire from the circuit and from the lamp (LOAD) to WHITE terminal
- Connect LINE wire to HOT terminal
- Connect LOAD wire to 1-POLE terminal
- Connect TRAVELER wire to the 3-WAY terminal

NOTE: NEUTRAL wire is not required for sensor to function properly.

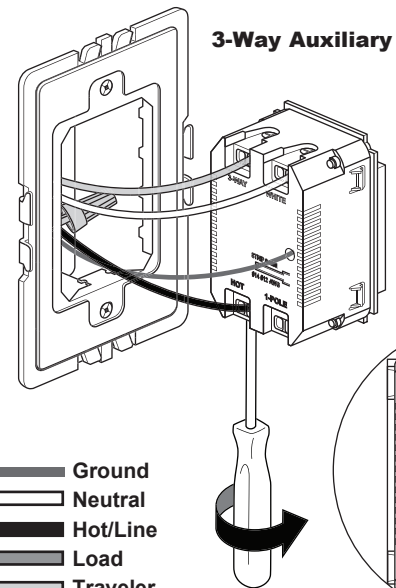
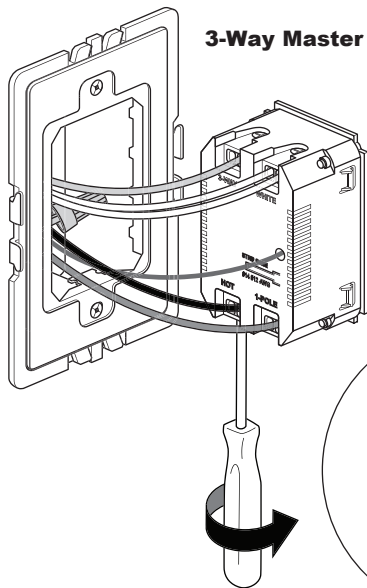
Auxiliary

- Connect NEUTRAL wire from circuit in the other wiring box to WHITE terminal
- Connect LINE wire to HOT terminal
- Connect TRAVELER wire to the 3-WAY terminal
- 1-POLE terminal on auxiliary is not used

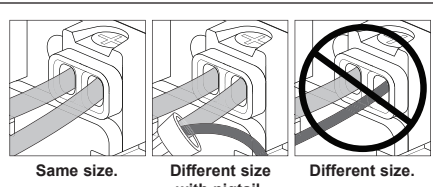
NOTES: A light can be controlled by one master and up to four auxiliary sensors.

If you are installing multiple sensors in the frame, wire all devices before snapping them into the frame.

Provides multi-way control only when used with other ASOS32 devices.

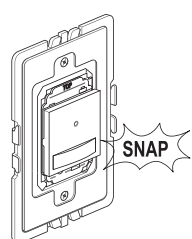


WARNING: Do not pair different size wires in the same terminal. If you have different size wires, use a wire nut to add a 6 inch pigtail of the same gauge wire to the smaller gauge wire.

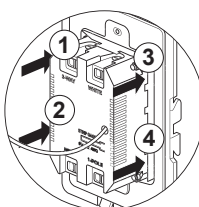


5

Carefully fold wires into box. Snap sensor into frame.

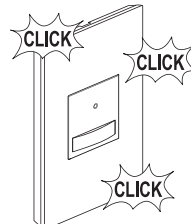


NOTE – If you need to remove sensor after snapping into frame, first remove frame from wall box to access the four locking tabs on the back of the sensor. Insert a flat screwdriver to depress tabs as you apply pressure to push switch out.



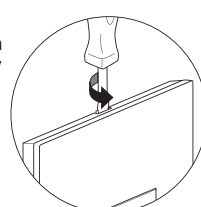
6

Snap wall plate to frame. There are three click-stops to adjust the fit of the wall plate to the sensor and the wall.

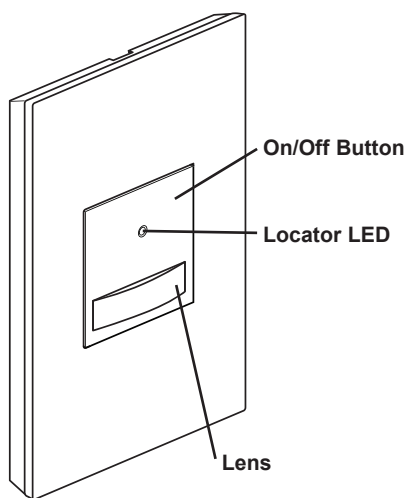


NOTE – To remove wall plate, insert a small, flat screwdriver in notches on wall plate and twist gently to pry from frame.

Never apply cleaner directly to the sensor or wall plate. Apply to a soft cloth and use cloth to remove any smudges from the product.



OPERATION



The ASOS32 is designed to replace a standard single pole or multi-way light or fan switch. The sensor uses passive infrared technology to sense human motion in a space and turn the lights or fan ON when occupancy is detected and OFF when the room is vacant. It is ideal for applications in a home where there is a direct line of sight from the sensor to the room.

Upon detection of occupancy the sensor will turn the light or fan (controlled load) ON. The sensor will keep the controlled load on until no motion is detected for the selected time delay. If the controlled load is turned off manually (e.g. to keep the lights off while watching a movie) the sensor will keep the connected load off as long as it is detecting motion. The sensor will automatically switch back to automatic-on when no motion is detected for 5 minutes.

LED functionality

The occupancy sensor has one locator LED on the ON/OFF button. When the connected load is off the locator LED will be on. When the connected load is on the locator LED will be off.

Note: The LEDs will only function when the neutral wire is connected. When the neutral wire is not connected the device will function properly, but the locator LED will never be illuminated. See Step 4 above for details on how to wire the device.

Initial Power Up Supply

There is an initial warm-up and calibration period the first time power is applied to the units, after a power failure lasting more than 5 minutes and after the load is replaced.

SENSOR ADJUSTMENT & PROGRAMMING

Adjusting the time delay

The factory setting for the time delay dial is 15 minutes. To increase the amount of time the load remains ON after the last motion detection, turn the dial clockwise (maximum = 30 minutes). To reduce the amount of time the load remains ON after the last motion detection, turn the dial counterclockwise (minimum = 30 seconds). The unit will enter test mode if the trimpot is turned fully counter-clockwise. Stop just before turning the trimpot completely counterclockwise to avoid entering test mode. See Test Mode section for further details.

CAUTION Do not overturn the time delay adjustment dial.

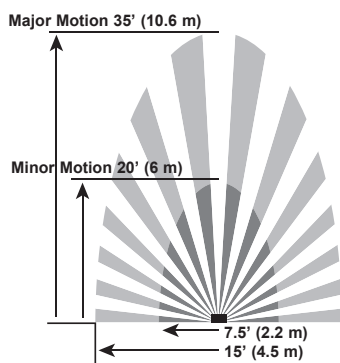
Adjusting the light level

Adjust the light level setting to prevent the sensor from automatically turning on the lights when there is enough ambient light present in the space. This feature's default setting is maximum so that even the brightest light will not prevent the sensor from turning the connected load on when it detects occupancy. Follow these steps to set the light level:

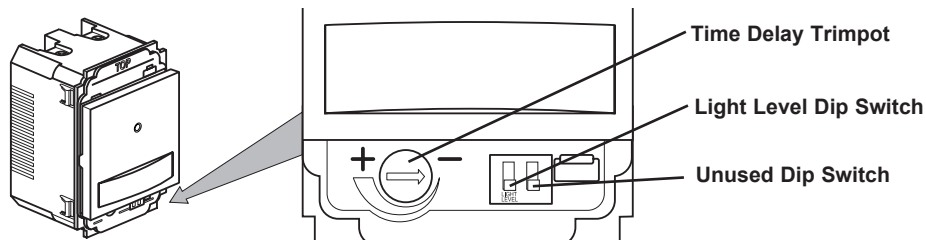
- The light level must be set when the lights would normally be turned off because there is enough ambient light
- Wait until the time of day when the space is bright enough with the ambient light and does not need additional electric light
- Flip the dip switch labeled "light level" to the on position
- Any time the ambient light gets to the current level or brighter the sensor will not turn the lights on automatically
- To disable this feature, turn the "light level" dip switch to the off position

Coverage Area

The ASOS32 has a maximum coverage range of 180 degrees and a coverage area of 600 sq. ft. The sensor must have a clear and unobstructed view of the coverage area. Objects blocking the sensor's lens may prevent detection thereby causing the light to turn off even though someone is in the area. Windows, glass doors, and other transparent barriers will obstruct the sensor's view and prevent detection.



Dip Switch Settings



Disabling the locator LED

The locator LED can be disabled by pressing and holding the on/off button for 10 seconds. After 10 seconds the locator LED will flash to indicate that the locator LED has been disabled. To enable the LED, press and hold the on/off button for 12 seconds. The locator LED will flash at 10 seconds, continue to keep holding down the on/off button until the locator LED flashes twice at 12 seconds indicating that the LED has been enabled.

Test Mode

Activate test mode in order to test the detection coverage. If the neutral wire is connected, the locator LED will blink indicating that the unit is in test mode. During test mode the controlled load turns on for 5 seconds each time the sensor detects occupancy. Follow these steps:

- Turn the time delay trimpot fully counter-clockwise
- Move out of the coverage area or stand very still. The controlled load turns off after 5 seconds if no motion is detected
- Move into the coverage area. The controlled load turns on for 5 seconds each time the sensor detects motion. After 5 seconds expires without motion detection, the load turns OFF. The controlled load turns on automatically with the next motion detection and stays on for 5 seconds
- Repeat as necessary to ensure that the desired coverage areas are within detection range
- The device will remain in test mode for 5 minutes before automatically reverting back to normal operation. Once the device is in normal operating mode, the time delay will be set to 5 minutes. If additional time is needed, turn the trimpot away from the minimum setting, and then turn back to its minimum setting, resetting the 5 minutes.
- Turn the trimpot back to the desired time delay once the coverage area has been verified

TROUBLESHOOTING

Status LED is enabled but and the load will not turn ON:

- Check the lamp to make sure that it has not burned out
- Check the circuit breaker to be sure it is functioning

No Status LED:

- Check the ground and neutral connections (note: neutral is not required for product to function properly)

Load will not turn ON:

- Press the ON/OFF button. The load should turn ON.
- When power is applied, there is up to a 20 second delay before the device is operational. Wait 20 seconds and try again to turn on the load.
- Check the light bulb and/or motor switch on the fan mechanism
- Turn off power to the circuit then check wire connections

Load will not turn OFF:

- Make sure there is a solid ground connection. The device requires the ground connection to operate
- Note: The time delay can be set from 30 seconds to 30 minutes. Ensure that the time delay is set to the desired delay and that there is no movement within the sensor's view for that time period.
- To quickly test the unit for proper operation, turn the time delay to minimum and move out of the sensor's view. Lights should turn off after 5 seconds.
- Press the ON/OFF button. If load does not turn off, turn off power to the circuit then check wire connections.

Factory reset

To change the operating mode back to the default settings press and hold the on/off button for 15 seconds. The locator LED will flash once at 10 seconds, continue to press and hold the on/off button. The locator LED will flash twice at 12 seconds, continue to press and hold the on/off button. The locator LED will flash 3 times at 15 seconds signaling that the device has been reset.

Technical Assistance:
(877) 295-3472
www.adornemyhome.com/install

LIMITED LIFETIME WARRANTY

Limited lifetime warranty information for adorne products is available at www.adornemyhome.com/warranty. Limited warranty information for adorne™ products may also be obtained free of charge by sending a written request, along with your proof of purchase (including purchase date), to:
Legrand
Attn: adorne Customer Service/Warranty Department
50 Boyd Avenue
Syracuse, NY 13209