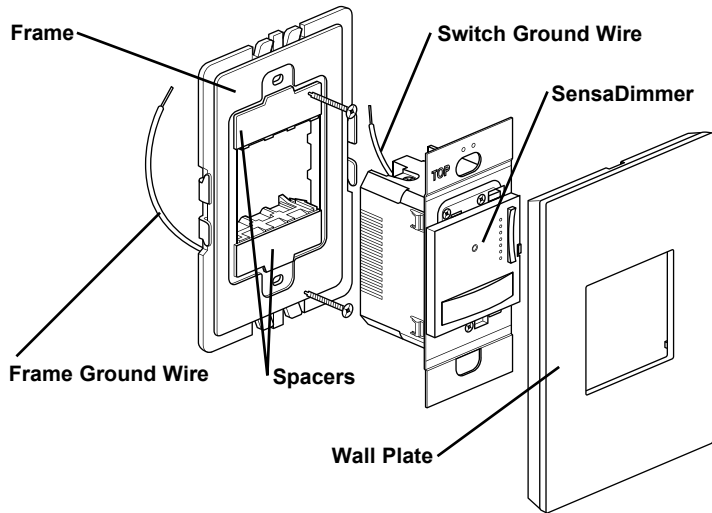


Catalog Number(s): **ADSM703H**

Country of Origin: Made in China



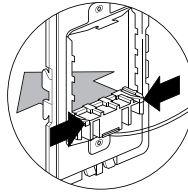
For more information and helpful how-to videos, visit [www.adornemyhome.com/install](http://www.adornemyhome.com/install).

**INSTALLATION INSTRUCTIONS**

Please read these instructions completely before you begin. **adorne™** dimmers are designed for installation in standard electrical boxes. However, some of the installation methods vary slightly from traditional methods. If you do not understand these instructions or are unsure of your abilities, seek the assistance of a qualified electrician.

**Remove spacers from the frame.**

Since this dimmer fills the frame completely, you will not need the spacers. From the back of the frame, pinch the tabs on the spacer to release.



**NOTE: NEUTRAL wire is not required for sensor to function properly.**

Use only with Legrand adorne™ system.

**SPECIFICATIONS**

Voltage - 120VAC, 60Hz  
Load (Single Pole or Multi-way)  
Incandescent - 15-700 Watt  
LED and CFL - 15 - 450 Watt  
Incandescent Derating Factor: 2-gang: 600 Watt  
3-gang and above: 500 Watt  
Adjustable Time Delay - 5 sec (test mode), 30 sec - 30 min  
Environment - Residential Indoor Use Only  
Humidity - 95% RH, non-condensing

Installation Shall Be In Accordance With All Applicable Regulations, Local And NEC Codes.

# 1

**WARNING**  
To prevent severe shock or electrocution, always disconnect power at the service panel before beginning work.

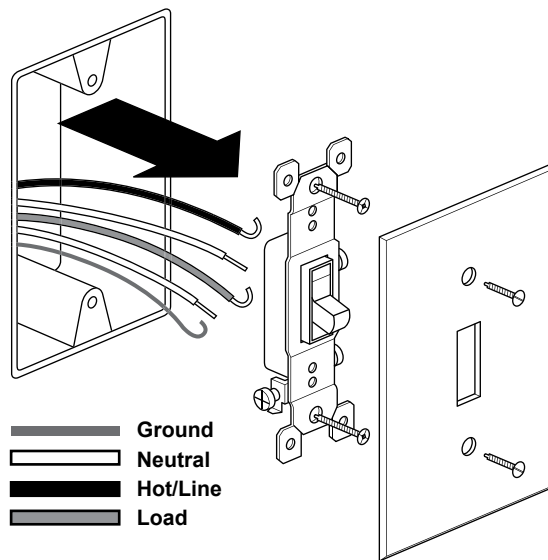
When replacing existing switches, label wires before disconnecting. Disconnect old switch.

Briefly restore power and use a line voltage meter to identify the wires.

HOT or LINE (usually black) - runs from service panel to switch  
LOAD Runs from switch to fixture  
NEUTRAL (usually white) The old switch may not have used a NEUTRAL wire, but it is usually available in the box.  
GROUND - bare copper or Green wire with or without yellow stripe

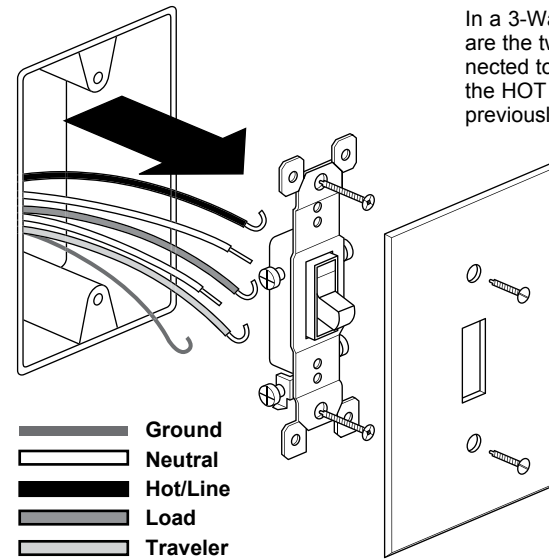
DISCONNECT power at the service panel once you've identified the wires.

**Single Pole**



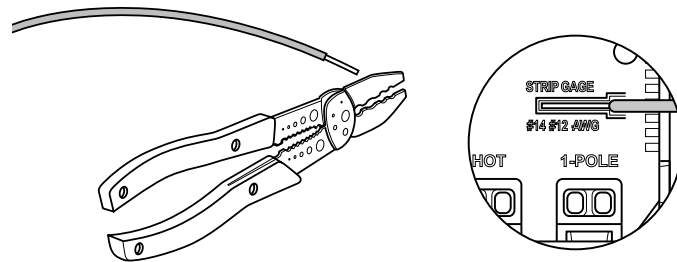
**3-Way**

In a 3-Way circuit, Traveler wires are the two insulated wires connected to the switch that are NOT the HOT wire that you identified previously.



# 2

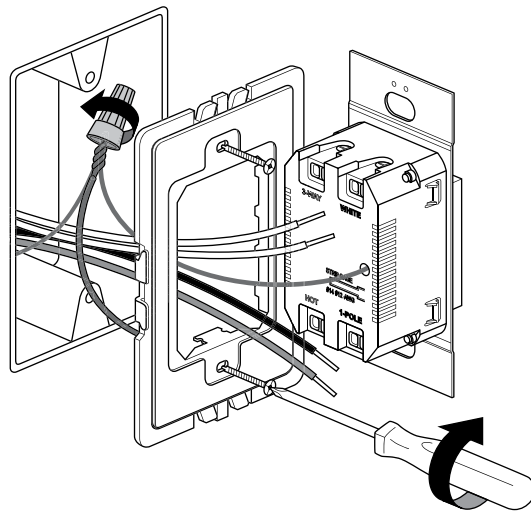
If necessary, cut wires and strip insulation using stripping guide on back of switch.



# 3

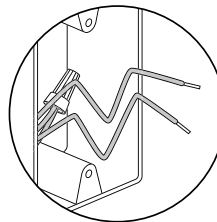
**WARNING**  
To Reduce Risk of Electrical Shock, unit shall be properly grounded in accordance with NEC and Local Codes. Failure to connect the ground wire will result in an unsafe installation that could lead to personal injury.

Connect frame ground wire and dimmer ground wire to bare ground wire in box. Fold ground wires into back of box. Mount frame to wall box with screws provided. Tighten screws just enough to hold frame in place. Do NOT over-tighten.



**TIPS**

- Pre-fold wires into wall box to make it easier to fit them in the box when dimmer is connected.
- Use caution to avoid marring wall surface with the metal frame.



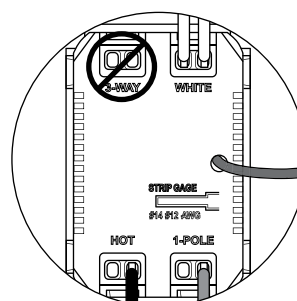
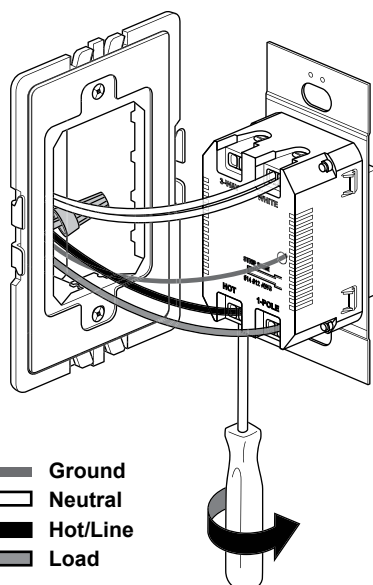
# 4

**Single Pole**

Connect dimmer as shown. Make sure the terminal holes are clear. Insert wires into terminals and tighten screws securely.

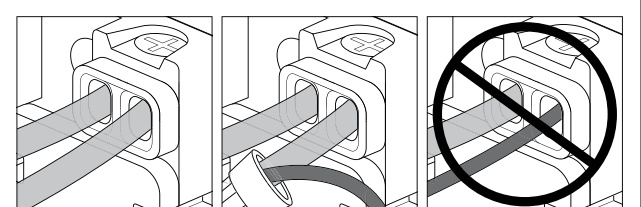
- Connect LINE wire to HOT terminal on sensor
- Connect LOAD wire to 1-POLE terminal
- Connect NEUTRAL from the circuit and from lamp (LOAD) to WHITE terminal

**NOTE: NEUTRAL wire is not required for dimmer to function properly.**



Ground  
Neutral  
Hot/Line  
Load

**WARNING:** Do not pair different size wires in the same terminal. If you have different size wires, use a wire nut to add a 6-inch pigtail of the same gauge wire to the smaller gauge wire.



Same size.

Different size with pigtail.

Different size.

# 4

## 3-Way

The term master designates the dimmer that connects to the load. The term auxiliary refers to the dimmer that does not connect to the load.

### Master

- Connect NEUTRAL wire from the circuit and from the lamp (LOAD) to WHITE terminal
- Connect LINE wire to HOT terminal
- Connect LOAD wire to 1-POLE terminal
- Connect TRAVELER wire to the 3-WAY terminal

**NOTE: NEUTRAL wire is not required for dimmer to function properly.**

### Auxiliary

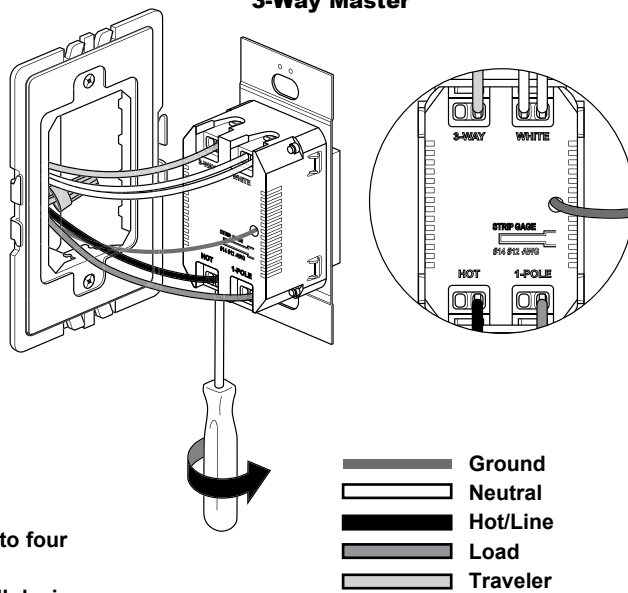
- Connect NEUTRAL wire from circuit in the other wiring box to WHITE terminal
- Connect LINE wire to HOT terminal
- Connect TRAVELER wire to the 3-WAY terminal
- 1-POLE terminal on auxiliary is not used.

**NOTES: A light can be controlled by one master and up to four auxiliary dimmers.**

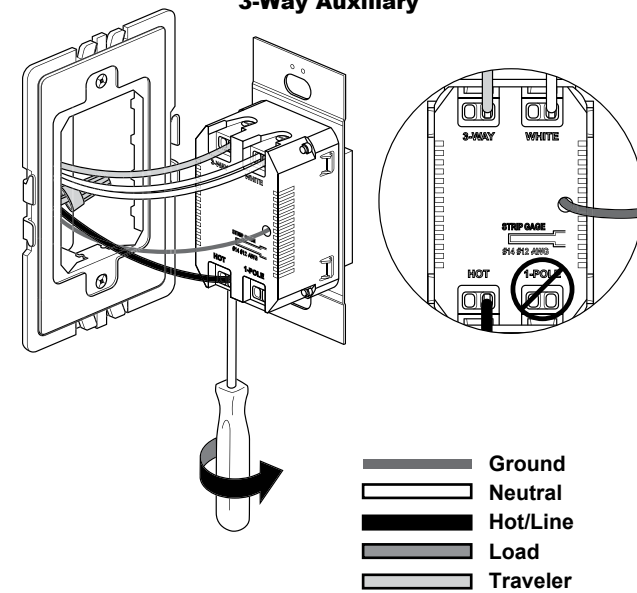
**If you are installing multiple devices in the frame, wire all devices before snapping them into the frame.**

**Provides multi-way control only when used with other ADSM703H devices.**

## 3-Way Master

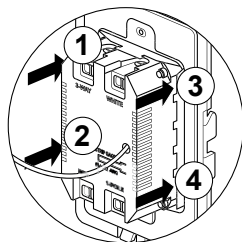
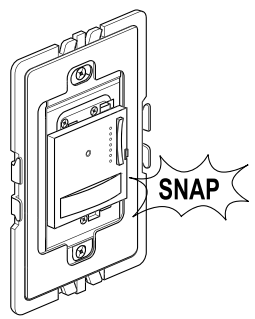


## 3-Way Auxiliary



# 5

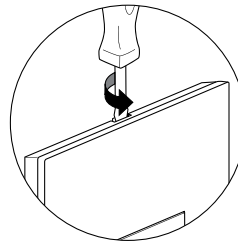
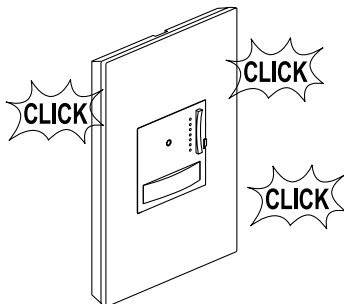
Carefully fold wires into box. Snap sensor into frame.



**NOTE - If you need to remove dimmer after snapping into frame, first remove frame from wall box to access the four locking tabs on the back of the sensor. Insert a flat screwdriver to depress tabs as you apply pressure to push switch out.**

# 6

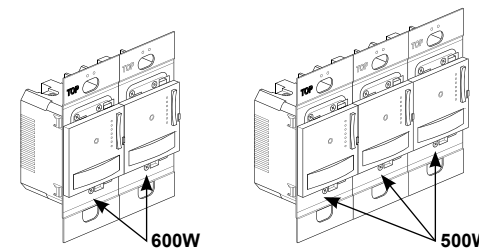
Snap wall plate to frame. There are three click-stops to adjust the fit of the wall plate to the dimmer and the wall.



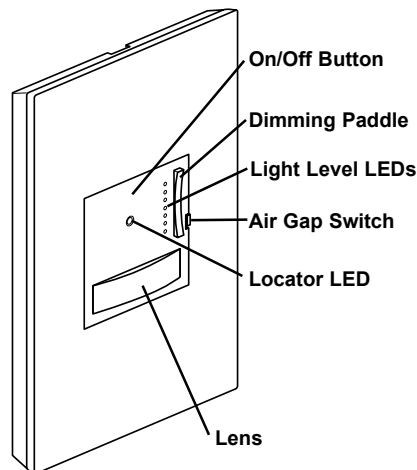
**NOTE - To remove wall plate, insert a small, flat screwdriver in notches on wall plate and twist gently to pry from frame.**

For multi-gang installations the dimmer needs to be derated per the chart.

Installation	Multi-Gang Derating		
	Single	2-Gang	3 or more-Gang
Maximum Load	700W	600W	500W



## OPERATION

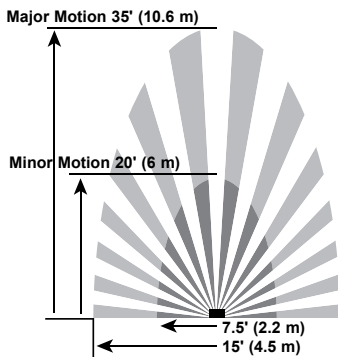


**Safety Feature - Use the air gap switch feature to replace lamps safely. Move air gap switch to bottom position and replace lamp. Return the air gap switch to normal up position after lamp replacement.**

**Never apply cleaner directly to the dimmer or wall plate. Apply to a soft cloth and use cloth to remove any smudges from the product.**

### Coverage Area

The ADSM703H has a maximum coverage range of 180 degrees and a coverage area of 600 sq. ft. The sensor must have a clear and unobstructed view of the coverage area. Objects blocking the sensor's lens may prevent detection thereby causing the light to turn off even though someone is in the area. Windows, glass doors, and other transparent barriers will obstruct the sensor's view and prevent detection.



The ADSM703H is designed to replace a standard single pole or multi-way switch or dimmer. The dimmer uses passive infrared technology to sense human motion in a space and turn the lights ON when occupancy is detected and OFF when the room is vacant. It is ideal for applications in a home where there is a direct line of sight from the dimmer to the room and where dimming control is desirable such as bedrooms or family/living rooms.

Upon detection of occupancy the dimmer will turn the light ON. Pressing and holding the top of the dimming paddle will brighten the connected light. Pressing and holding the bottom of the dimming paddle will dim the connected light. The light level LEDs indicate the brightness of the connected light. See 'Tap Input' section for more details on dimmer operation. The dimmer will keep the connected light on until no motion is detected for the selected time delay. If the controlled load is turned off manually by pressing the on/off button (e.g. to keep the lights off while watching a movie) the dimmer will keep the connected load off as long as it is detecting motion. The dimmer will automatically switch back to automatic-on operation when no motion is detected for 5 minutes. If motion is detected within 30 seconds after it automatically turns OFF, the ADSM703H automatically turns the load back ON. The dimmer will automatically turn the lights on to the last light level.

The dimmer is factory preset to function with automatic-on operation. It can be adjusted to function in manual-on mode. See 'Adjusting the operating mode' section.

### LED functionality

The dimmer has one locator LED on the ON/OFF button in addition to 7 light level LEDs. When the connected light is off the locator LED will be on and the light level LEDs will be off. When the connected light is on, the locator LED will be off and the light level LEDs will be on indicating the brightness of the light.

**Note: The LEDs will only function when the neutral wire is connected. When the neutral wire is not connected the dimmer will function properly, but the locator LED and light level LEDs will never be illuminated.**

See Step 4 above for details on how to wire the dimmer.

### Initial Power Up Supply

There is an initial warm-up and calibration period the first time power is applied to the dimmer, after a power failure lasting more than 5 minutes and after the load is replaced.

### DIMMER ADJUSTMENT & PROGRAMMING

#### Adjusting the time delay

The factory setting for the time delay dial is 15 minutes. To increase the amount of time the load remains ON after the last motion detection, turn the dial clockwise (maximum = 30 minutes). To reduce the amount of time the load remains ON after the last motion detection, turn the dial counterclockwise (minimum = 30 seconds). The unit will enter test mode if the trimpot is turned fully counter-clockwise. Stop just before turning the trimpot completely counter-clockwise to avoid entering test mode. See Test Mode section for further details.

**CAUTION Do not overturn the time delay adjustment dial.**

#### Adjusting the light level

- Adjust the light level setting to prevent the dimmer from automatically turning on the lights when there is enough ambient light present in the space. This feature's default setting is disabled so that even the brightest light will not prevent the dimmer from turning the connected load on when it detects occupancy. Follow these steps to enable the light level:
- The light level must be set when the lights would normally be turned off because there is enough ambient light
  - Wait until the time of day when the space is bright enough with the ambient light and does not need additional electric light
  - Flip the dip switch labeled "light level" to the on position
  - Any time the ambient light gets to the current level or brighter the dimmer will not turn the lights on automatically
  - To disable this feature, turn the "light level" dip switch to the off position

**Note - Light level feature is disabled under 3-Way wiring configuration.**

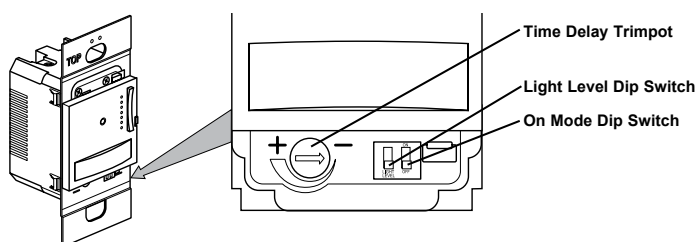
#### Adjusting the operating mode

The dimmer has two operating modes – automatic-on and manual-on. The dimmer's default setting is automatic-on and will turn the lights on automatically when occupancy is detected. Lights will turn off automatically once motion is no longer detected and the time delay expires. If manual-on operation is preferred, flip the dip switch labeled "On Mode" to the on position. Now the lights will no longer automatically turn on. The on/off button must be pressed in order to turn the lights on. Lights will turn off automatically once motion is no longer detected and the time delay expires. To switch back to automatic-on operation, flip the dip switch labeled "On Mode" to the off position.

#### Disabling the locator LED

The locator LED can be disabled by pressing and holding the on/off button for 10 seconds. After 10 seconds the locator LED will flash to indicate that the locator LED has been disabled. To enable the LED, press and hold the on/off button for 12 seconds. The locator

#### Dip Switch Settings



LED will flash at 10 seconds, continue to keep holding down the on/off button until the locator LED flashes twice at 12 seconds indicating that the LED has been enabled.

### Changing the dimming curve

The dimmer's default setting is to control incandescent lamps. If the connected load is a fluorescent lamp (e.g. CFL) the dimming curve must be changed so that the device will function properly. To change the dimming curve:

- Press and hold the on/off button and bottom of the dimming paddle simultaneously for 10 seconds. The locator LED will flash indicating that the dimming curve has been set.
- To change the dimming curve back to its default setting of controlling incandescent loads press and hold the on/off button and the top of the dimming paddle for 10 seconds. The locator LED will flash indicating that the dimming curve has been set.

### Test Mode

Activate test mode in order to test the detection coverage. If the neutral wire is connected, the locator LED will blink indicating that the unit is in test mode. During test mode the controlled load turns on for 5 seconds each time the dimmer detects occupancy. Follow these steps:

- Turn the time delay trimpot fully counter-clockwise.
- Move out of the coverage area or stand very still. The controlled load turns off after 5 seconds if no motion is detected.
- Move into the coverage area. The controlled load turns on for 5 seconds each time the dimmer detects motion. After 5 seconds expires without motion detection, the load turns OFF. The controlled load turns on automatically with the next motion detection and stays on for 5 seconds.
- Repeat as necessary to ensure that the desired coverage area is within detection range.
- The device will remain in test mode for 5 minutes before automatically reverting back to normal operation. Once the device is in normal operating mode, the time delay will be set to 5 minutes. If additional time is needed, turn the trimpot away from the minimum setting, and then turn back to its minimum setting, resetting the 5 minutes.
- Turn the trimpot back to the desired time delay once the coverage area has been verified.

### TAP INPUT

#### On/Off button

- Momentary push with Load Off turns Load On to LDL (last dim level).
- Momentary push with Load On turns Load Off.
- Push and hold approximately 2 sec with Load On fades Load Off over approximately 30 sec ("go to bed" feature). During the slow fade-off interval the top-most lit LED in the bargraph will flash.
- Double-tap with Load Off turns Load On to maximum brightness.
- Double-tap with Load On turns Load On to maximum brightness.

#### Top of Dimming Paddle

- Momentary push with Load Off turns Load On to LDL (last dim level).
- Momentary push with Load On increases brightness 1 increment (approx 5% of max brightness).
- Push and hold with Load On ramps brightness up (approx 5 sec from min to max).
- Double-tap with Load Off turns Load On to maximum brightness.

#### Bottom of Dimming Paddle

- Momentary push with Load Off turns Load On to LDL (last dim level).
- Momentary push with Load On decreases brightness 1 increment (approx 5% of max brightness).
- Push and hold with Load On ramps brightness down (approx 5 sec from max to min).
- Double-tap with Load Off turns Load On to maximum brightness.

### TROUBLESHOOTING

#### Status LED is enabled but the load will not turn ON:

- Check the lamp to make sure that it has not burned out.
- Check the circuit breaker to be sure it is functioning.

#### No status LED:

- Check the ground and neutral connections (note: neutral is not required for product to function properly).
- Check air gap switch is at upper most position.

#### Load will not turn ON:

- Press the ON/OFF button. The load should turn ON. If not:
- When power is applied, there is up to a 20-second delay before the device is operational. Wait 20 seconds and try again to turn on the load.
  - Check the light bulb and/or motor switch on the fan mechanism.
  - Turn off power to the circuit then check wire connections.
  - Check air gap switch is at upper most position.

#### Load will not turn OFF:

Make sure there is a solid ground connection. The device requires the ground connection to operate.

Note: The time delay can be set from 30 seconds to 30 minutes. Ensure that the time delay is set to the desired delay and that there is no movement within the dimmer's view for that time period.

- To quickly test the unit for proper operation, turn the time delay to minimum and move out of the dimmer's view. Lights should turn off after 5 seconds.
- Press the ON/OFF button. If load does not turn off, turn off power to the circuit then check wire connections.

#### Factory reset

To change the operating mode back to the default settings press and hold the on/off button for 15 seconds. The locator LED will flash once at 10 seconds, continue to press and hold the on/off button. The locator LED will flash twice at 12 seconds, continue to press and hold the on/off button. The locator LED will flash 3 times at 15 seconds signaling that the device has been reset.

### Technical Assistance:

(877) 295-3472  
www.adornemyhome.com/install

### LIMITED LIFETIME WARRANTY

Limited lifetime warranty information for adorne™ products is available at [www.adornemyhome.com/warranty](http://www.adornemyhome.com/warranty). Limited warranty information for adorne™ products may also be obtained free of charge by sending a written request, along with your proof of purchase (including purchase date), to:

Legrand  
Attn: adorne Customer Service/Warranty Department  
50 Boyd Avenue  
Syracuse, NY 13209