



Upgrade your fan's speed control and stop using those clunky, hard-to-reach fan cords. Now you can adjust the speed of your ceiling fan quietly, and in style, thanks to the adorne Collection. This device features four speed settings and a sleek on/off switch. Use on its own to control a fan from one location, or pair with a 3-way switch and conveniently control a single fan from two locations. Made exclusively for use with screwless Wall Plates from the adorne® Collection, sold separately.

## Features & Benefits

Installs in 15 minutes or less, fitting into an existing electrical box. No new wiring required. Features easy on/off control, as well as four speed settings for typical installation.

More color options available to fit any style, including finishes to match current hardware and lighting trends.

Complete the look with a stunning, screwless adorne® Wall Plate, not included. Available in a range of contemporary colors and finishes. Coordinate with other designer switches & outlets.

## Specifications

### General Info

Color	White	UPC Number	785007023206
Country Of Origin	China	Product Line	Pass & Seymour
Number of Switches	1	Warranty Type	Limited Lifetime Warranty
Standard	cULus		

### Technical Information

Wattage	1100 W	Number of Poles	Single Pole, 3-Way
Number of Gangs	1	Voltage	120 VAC
Mounting Type	Box	Actuator	Paddle
Connection	Screw Terminals	Speed Range	4-Speed

---

Connection Type

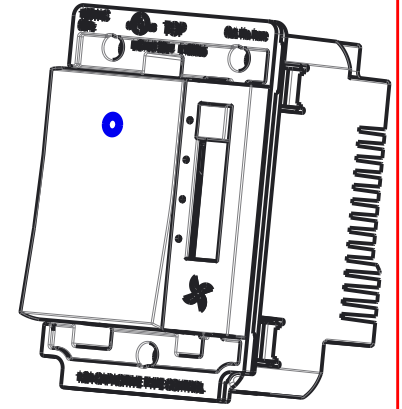
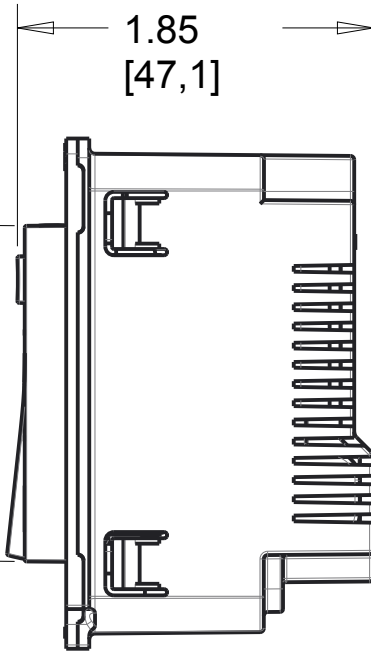
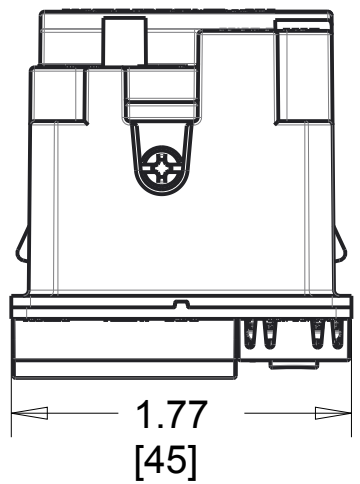
Internal Pressure Plates

---

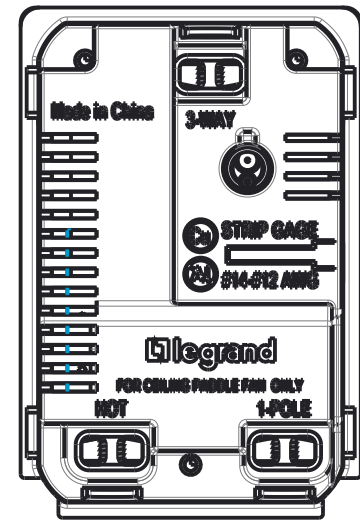
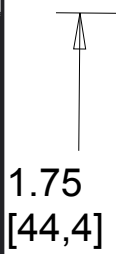
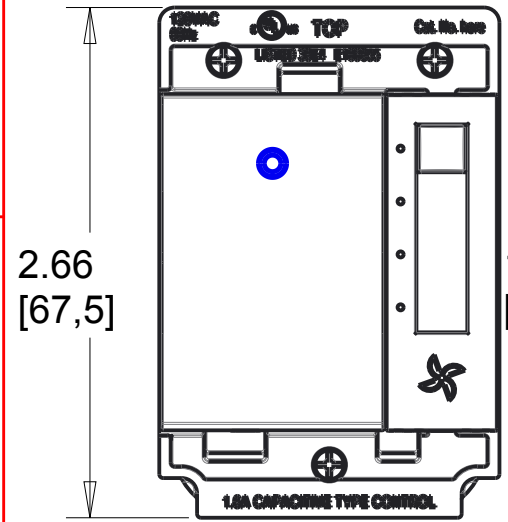
2

1

REV	EC.NO.	DATE	DESCRIPTION	DFTR	CK.
A			INITIAL RELEASE		



SCALE 0.750



B

B

A

A

Size Face: 2x2 Module  
 Size Backbody: 3x2 Module  
 Rating: 1.6A, 120 VAC, Paddle-Type Ceiling Fan  
 3rd Party Listing: cULus LISTED  
 Termination: Back Wire, Ground Lead Wire  
 Misc: Copper Wire Only  
 For Use With adorne System Only  
 Accepts Locator Status Light

AAFN4S16A, Paddle Fan Speed Control					
MATERIAL	SEE NOTE	UNSPECIFIED TOL. FRAC. ± 1/64 ANGLES ± 1.0 DEC. 0 ± 0.02		 	
FINISH	SEE NOTE	.00 ± 0.01 .000 ± 0.001			
DSGN BY:	5/14/2015	MODEL NAME: AAFN4S16A			
DR BY:		SHT 1of1	PROJ.	DWG NO.: CD1144	REV.: A
CK BY:		SCALE: 1.000			
NOTICE: Proprietary and confidential information of Pass & Seymour/Legrand Reproduction or disclosure prohibited under penalty of law.					

2

1