



Hand-forged to pair perfectly with your Bronze Hubbardton Forge® lighting fixtures. Made exclusively for use with designer switches and outlets from the adorne Collection.

Features & Benefits

A perfect finishing touch for any space, adding a sleek and contemporary aesthetic through its screwless design and low-profile.

Other Wall Plates from the adorne® Collection are available in extensive range of on-trend colors, materials and cast metals.

Made to exclusively fit the designer switches, dimmers and outlets from the adorne® Collection, snapping into place with ease.

Coordinate with other designer switches and outlets throughout your home for a cohesive, contemporary look.

Specifications

General Info

Color	Hubbardton Forge Bronze	UPC Number	785007047400
Country Of Origin	Mexico	Product Line	Pass & Seymour
Application Sector	Residential/Commercial	Warranty Type	Limited Lifetime Warranty
Construction	Screwless Design Snaps into Frame	Standard	UL514, ETL listed

Listing Agencies / 3rd Party Agencies

cULus Listed	Yes
--------------	-----

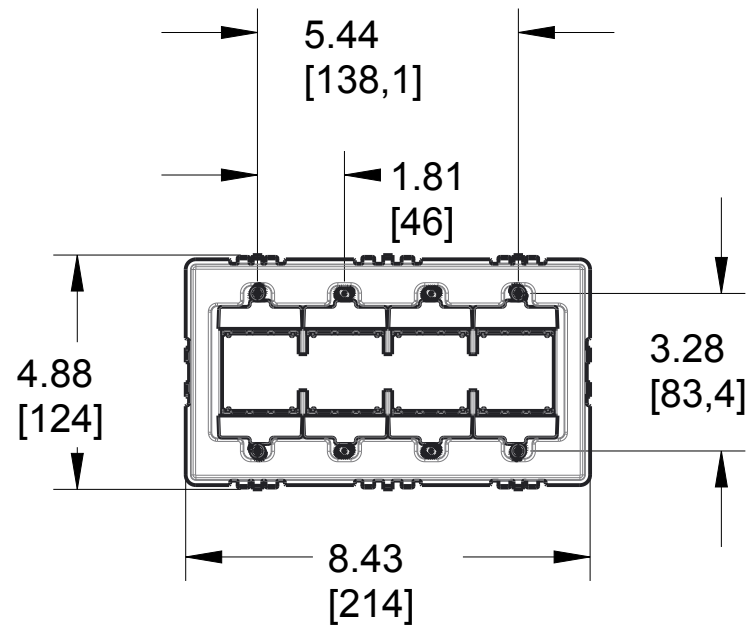
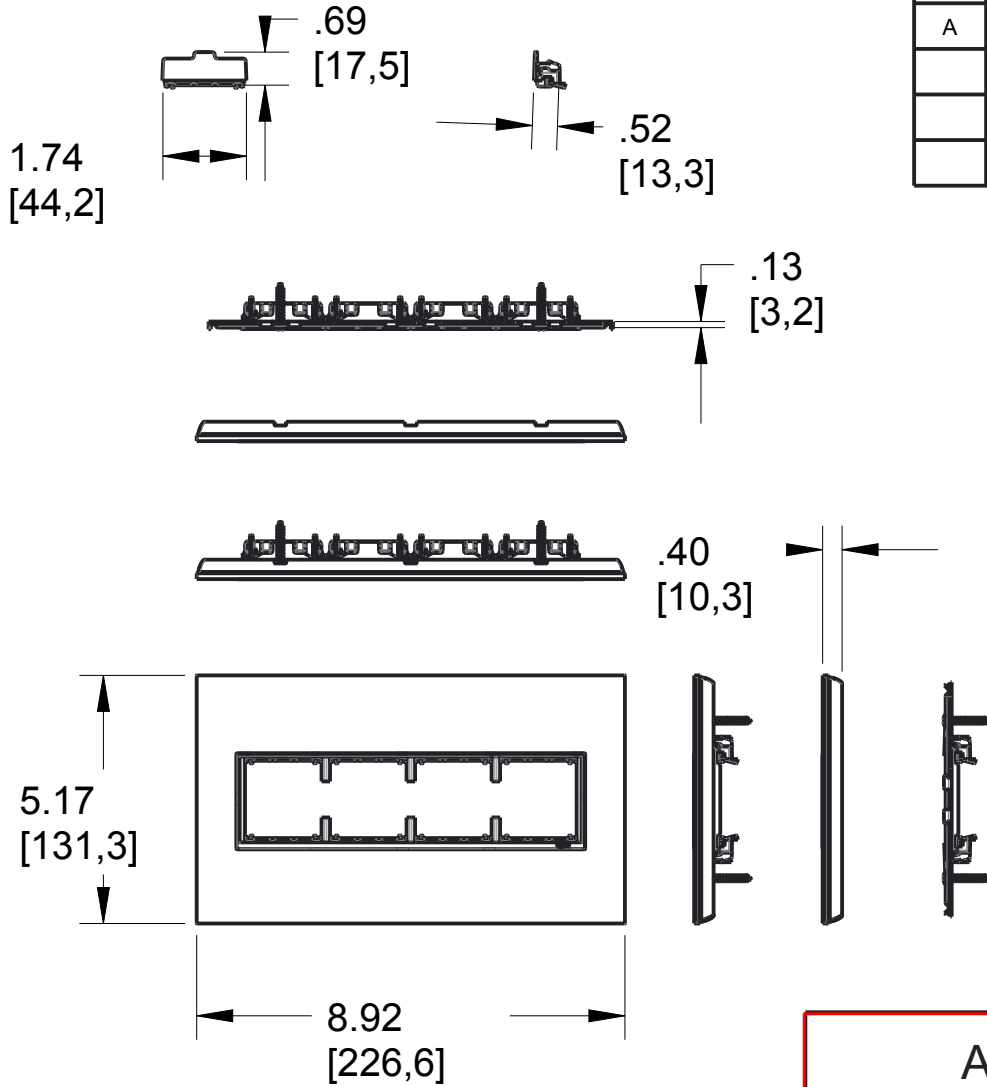
Technical Information

Number of Gangs	4	Mounting Type	Screwless
Cutout	Rectangular	Thickness	0.35 in
Connection Type	Screwless	Orientation	Horizontal

2

1

REV	EC.NO.	DATE	DESCRIPTION	DFTR	CK.
A			INITIAL RELEASE		



3rd Party Compliance: cULus LISTED,
 cETLus LISTED
 Includes Wallplate, Subframe And Spacers Shown
 For Use With adorne System Only
 All adorne System Subframes Are Grounded
 All adorne Wallplates Containing Metal Are
 Grounded

AWM4G, Wallplate Material 4-Gang

MATERIAL	SEE NOTE	UNSPECIFIED TOL. FRAC. ± 1/64 ANGLES ± 1.0 DEC. 0 ± 0.02 .00 ± 0.01 .000 ± 0.005	 		
FINISH	SEE NOTE				
DSGN BY: RMR	5/20/2015		MODEL NAME: AWM4G		
DR BY:		SHT 1 of 1	PROJ.	DWG NO.: CD1160	REV.: A
CK BY:		SCALE: 0.250			
NOTICE: Proprietary and confidential information of Pass & Seymour/Legrand Reproduction or disclosure prohibited under penalty of law.					

2

1