



adorne Collection  
adorne® One-Gang-Plus Screwless Wall Plate in Hubbardton Forge® Bronze  
Part No. AWM1G3HFBR1



Hand-forged to pair perfectly with your Bronze Hubbardton Forge® lighting fixtures. Made exclusively for use with designer switches and outlets from the adorne Collection.

## Features & Benefits

A perfect finishing touch for any space, adding a sleek and contemporary aesthetic through its screwless design and low-profile.

Made to exclusively fit the designer switches, dimmers and outlets from the adorne® Collection, snapping into place with ease.

Other Wall Plates from the adorne® Collection are available in extensive range of on-trend colors, materials and cast metals. Coordinate with other designer switches and outlets throughout your home for a cohesive, contemporary look.

## Specifications

### General Info

Color	Hubbardton Forge Bronze	UPC Number	785007047431
Country Of Origin	Mexico	Product Line	Pass & Seymour
Application Sector	Residential/Commercial	Warranty Type	Limited Lifetime Warranty
Construction	Screwless Design Snaps into Frame	Standard	UL514, ETL listed

### Listing Agencies / 3rd Party Agencies

cULus Listed Yes

### Technical Information

Number of Gangs	1	Mounting Type	Screwless
Cutout	Square	Thickness	0.35 in

---

Connection Type

Screwless

Orientation

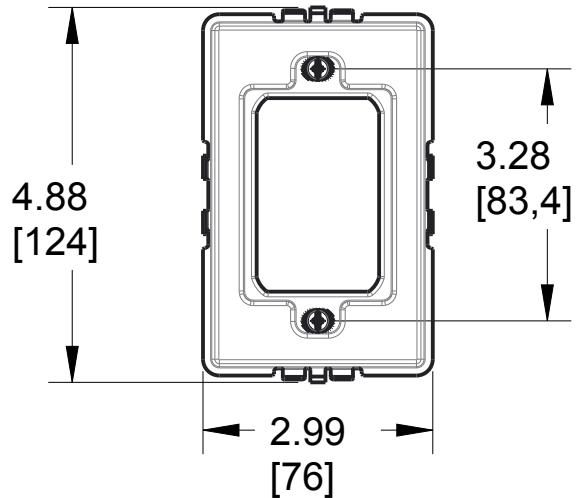
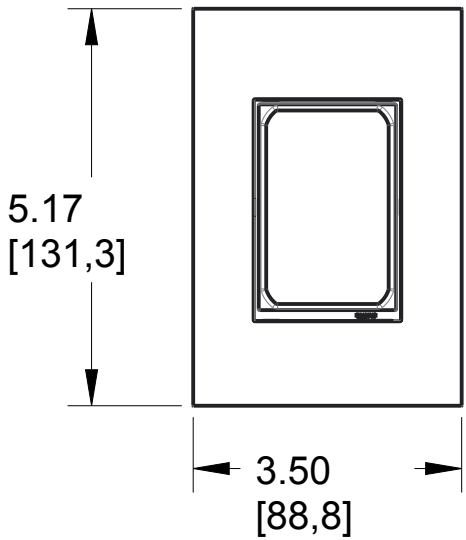
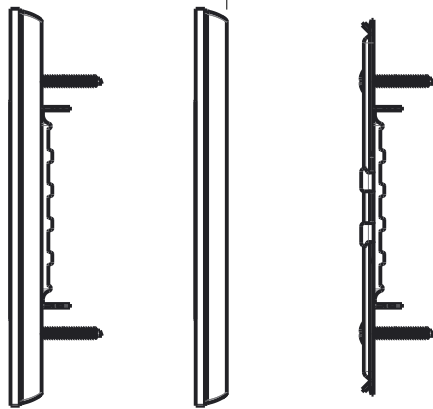
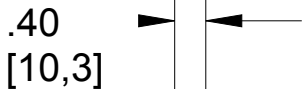
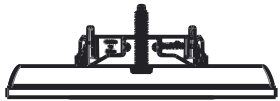
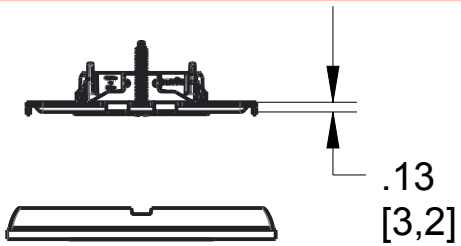
Horizontal

---

2

1

REV	EC.NO.	DATE	DESCRIPTION	DFTR	CK.
A			INITIAL RELEASE		



B

B

A

A

3rd Party Compliance: cULus LISTED,  
 cETLus LISTED  
 Includes Wallplate And Subframe Shown  
 For Use With adorne System Only  
 All adorne System Subframes Are  
 Grounded  
 All adorne Wallplates Containing  
 Metal Are Grounded

<b>AWM1G3, Wallplate Material 1-Gang 3-Module</b>					
MATERIAL	SEE NOTE	UNSPECIFIED TOL. FRAC. ± 1/64 ANGLES ± 1.0 DEC. 0 ± 0.02 .00 ± 0.01 .000 ± 0.005	<b>Pass &amp; Seymour</b> <b>legrand</b>		
FINISH	SEE NOTE				
DSGN.BY: <b>RMR</b>	5/20/2015		MODEL NAME: <b>AWM1G3</b>		
DR.BY:		SHT 1of1	PROJ.	DWG.NO.:	REV.:
CK.BY:		SCALE: 0.400		<b>CD1157</b>	<b>A</b>
NOTICE: Proprietary and confidential information of Pass & Seymour/Legrand Reproduction or disclosure prohibited under penalty of law.					

2

1