



Shown with one Half-Size
USB Outlet

Get a full battery for your phones, tablets and more with the convenience of built-in charging. Features one USB Type-A connection. Pair with another half or standard-sized device to fill an adorne One-Gang or One-Gang+ Wall Plate. Made exclusively for use with screwless Wall Plates from the adorne® Collection, sold separately.

Features & Benefits

Provides convenient built-in charging, without sacrificing a plug requiring a bulky adapter.

Legrand USB Outlets are manufactured through high-quality design, sourcing and production, and backed by a Lifetime Warranty.

Complete the look with a stunning, screwless adorne® Wall Plate, not included. Available in a range of contemporary colors and finishes. Coordinate with other designer switches & outlets.

Pairs with any other half-sized device to fit an adorne 1-Gang Wall Plate.

More color options available to fit any style, including finishes to match current hardware and lighting trends.

Specifications

General Info

Color	Magnesium	UPC Number	785007022865
Country Of Origin	China	Product Line	Pass & Seymour
Application Sector	Residential	Warranty Type	Limited Lifetime Warranty
Standard	CULUS		

Technical Information

Wattage	11 W	Number of Gangs	1
Voltage	125 VAC	Mounting Type	Box
Number of USBs	1	Connection	Side and Back Wire

Phase

Single

Connection Type

Internal Pressure Plates

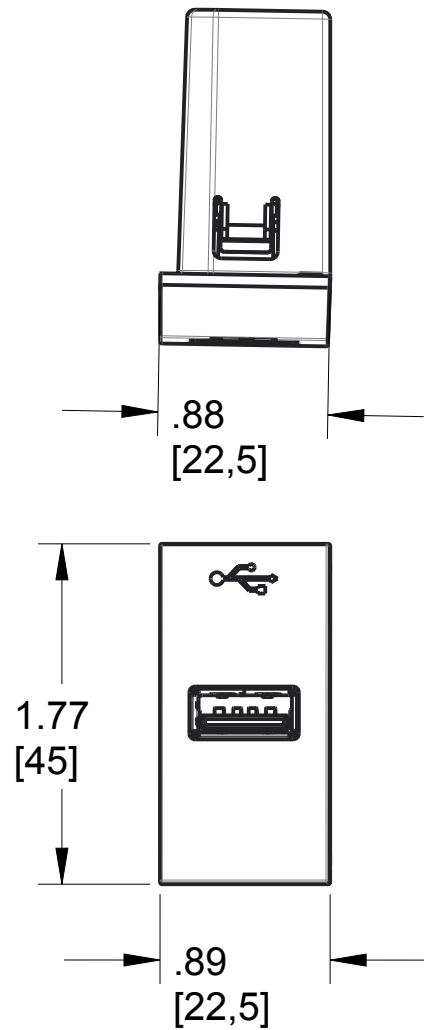
2

1

REV	EC.NO.	DATE	DESCRIPTION	DFTR	CK.
A			INITIAL RELEASE		

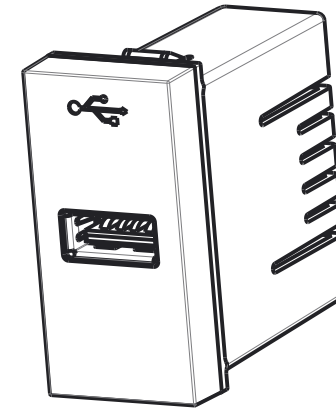
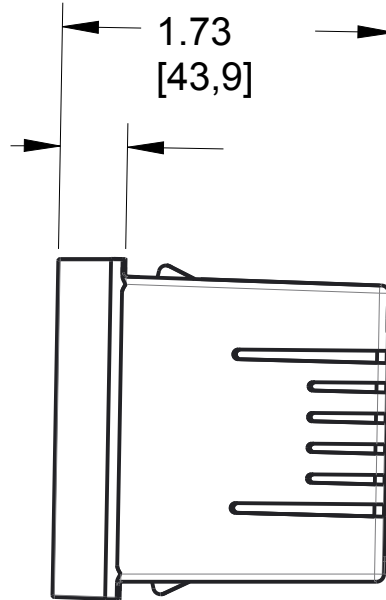
B

B



$.35$
[8,9]

1.73
[43,9]



A

A

Size Face: 2x1 Module
 Size Backbody: 2x1 Module
 3rd Party Listing: cETLus LISTED
 Rating; 2.1A, 5VDC, 11W
 Termination: Wire Leads
 USB Port Only
 For Use With adorne System Only

ARUSB, USB Receptacle 1-Module

MATERIAL	SEE NOTE	UNSPECIFIED TOL. FRAC. $\pm 1/64$ ANGLES ± 1.0 DEC. 0 ± 0.02 $.00 \pm 0.01$ $.000 \pm 0.001$	 		
FINISH	SEE NOTE				
DSGN.BY:	5/20/2015		MODEL NAME:	ARUSB	
DR.BY:		SHT 1of1	PROJ.	DWG.NO.:	REV.:
CK.BY:		SCALE:		CD1161	A

NOTICE: Proprietary and confidential information of Pass & Seymour/Legrand
 Reproduction or disclosure prohibited under penalty of law.

2

1