



adorne Collection  
**USB OUTLET 2.1A GRAPHITE**  
Part No. ARUSBG4



Get a full battery for your phones, tablets and more with the convenience of built-in charging. Features one USB Type-A connection. Pair with another half or standard-sized device to fill an adorne One-Gang or One-Gang+ Wall Plate. Made exclusively for use with screwless Wall Plates from the adorne® Collection, sold separately.

## Features & Benefits

Provides convenient built-in charging, without sacrificing a plug requiring a bulky adapter.

Pairs with any other half-sized device to fit an adorne 1-Gang Wall Plate.

Legrand USB Outlets are manufactured through high-quality design, sourcing and production, and backed by a Lifetime Warranty.

More color options available to fit any style, including finishes to match current hardware and lighting trends.

Complete the look with a stunning, screwless adorne® Wall Plate, not included. Available in a range of contemporary colors and finishes. Coordinate with other designer switches & outlets.

## Specifications

### General Info

Color	Graphite	UPC Number	785007234626
Country Of Origin	China	Product Line	Pass & Seymour
Warranty Type	Limited Lifetime Warranty		

### Technical Information

Wattage	11 W	Number of Gangs	1
Voltage	125 VAC	Mounting Type	Box
Number of USBs	1	Connection Type	Internal Pressure Plates

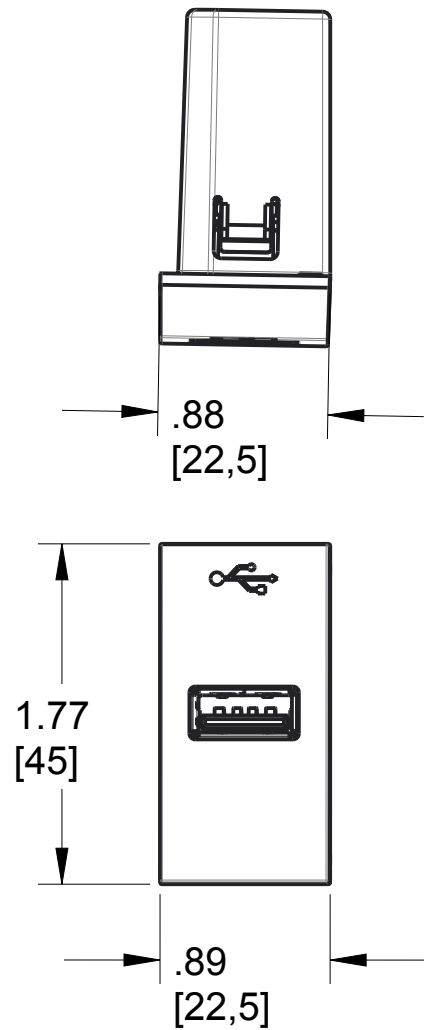
2

1

REV	EC.NO.	DATE	DESCRIPTION	DFTR	CK.
A			INITIAL RELEASE		

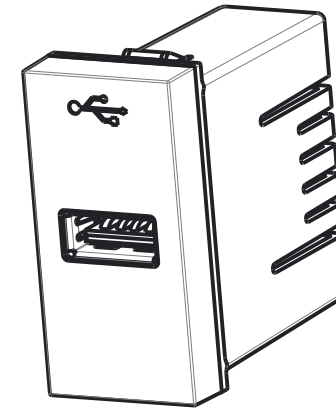
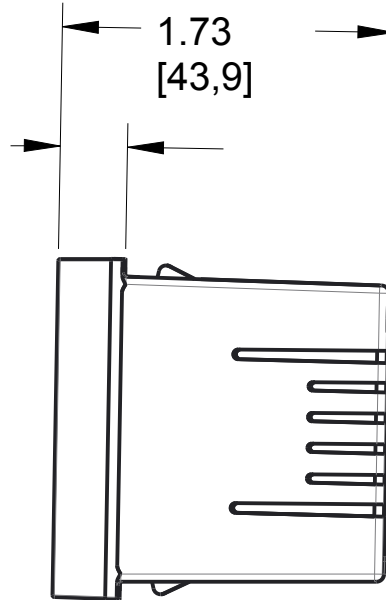
B

B



$.35$   
[8,9]

$1.73$   
[43,9]



A

A

Size Face: 2x1 Module  
 Size Backbody: 2x1 Module  
 3rd Party Listing: cETLus LISTED  
 Rating; 2.1A, 5VDC, 11W  
 Termination: Wire Leads  
 USB Port Only  
 For Use With adorne System Only

## ARUSB, USB Receptacle 1-Module

MATERIAL	SEE NOTE	UNSPECIFIED TOL. FRAC. $\pm 1/64$ ANGLES $\pm 1.0$ DEC. $0 \pm 0.02$ $.00 \pm 0.01$ $.000 \pm 0.001$	<b>Pass &amp; Seymour</b> <b>Legrand</b>	
FINISH	SEE NOTE		MODEL NAME: ARUSB	
DSGN.BY:	5/20/2015		DWG.NO.: CD1161	
DR.BY:		SHT 1of1	PROJ.	REV.: A
CK.BY:		SCALE: 1.000		

NOTICE: Proprietary and confidential information of Pass & Seymour/Legrand  
 Reproduction or disclosure prohibited under penalty of law.

2

1