

ARTRUSB153

## Dual USB Plus-Size Outlet Combo

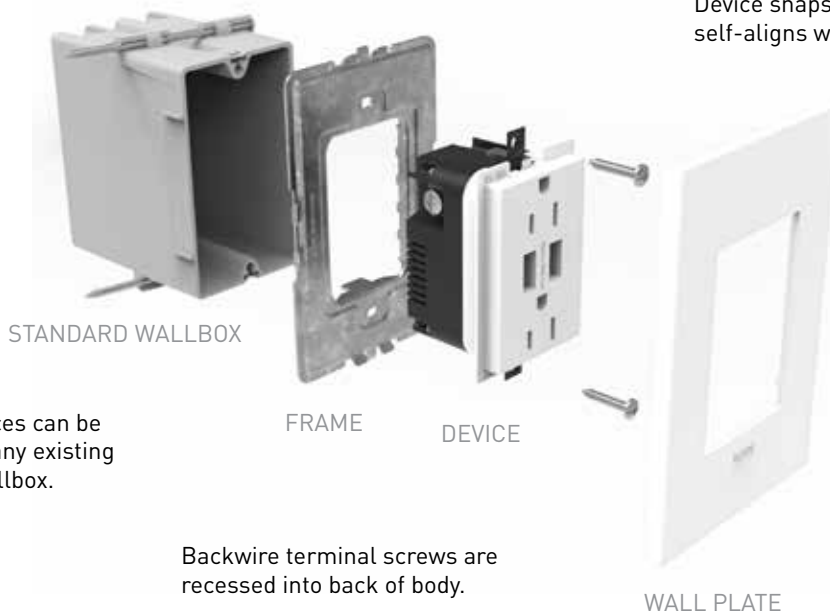
adorne® Tamper-Resistant Dual USB Plus-Size Outlet Combo with USB charging capabilities are designed to upgrade existing receptacles for charging power. This device features an overall 3.1A USB charging capability in two USB charging ports coupled with two AC receptacles, and as part of the adorne® collection, now offers a better fit, form and finish. The external brass backwire pressure-plate and posted side-wire terminal screws make installation fast and easy.



### FEATURES & BENEFITS

adorne devices fit in all existing NEMA-approved wallboxes.

Heavy gauge steel frame is grounded via factory installed 12AWG ground lead. Device and metal wall plates are self-grounded to frame.



Device snaps into the frame and self-aligns without any screws.

Wall plate snaps onto frame; no screws required.

Modular system solves device alignment problems, improving fit and finish in multi-gang installations.

adorne devices can be installed in any existing standard wallbox.

Backwire terminal screws are recessed into back of body.

Wall plate and frames available in 1-6 gang sizes.

## ORDERING INFORMATION

CATALOG NUMBER	DESCRIPTION	RATING	COMPLIANCE	COLORS	COO
ARTRUSB153M4	Perfect for charging multiple mobile devices such as phones and tablets	3.1A, 5V DC 15A, 125V		Magnesium	China
ARTRUSB153W4		3.1A, 5V DC 15A, 125V		White	China
ARTRUSB153G4		3.1A, 5V DC 15A, 125V		Graphite	China

## VERTICAL MARKETS

- Residential
- Hospitality
- Luxury Office
- Light Commercial

## COMPLEMENTARY PRODUCTS

adorne® also offers Paddle Style Dimmers and Fan Control Devices to pair with our Paddle Style Switches for an overall, aesthetically pleasing and multi-functional installation.

**adorne® Wall Plates** provide the perfect complement to adorne Switches, Dimmers, Outlets, and Accessories. The collection includes a variety of finishes, from metals to leather and wood, as well as plastic plates that are available in contemporary and classic colors. Each wall plate is packaged with a metal frame to enable easy installation when paired with a device. All plates are screwless and simply snap onto the included metal frame.

All adorne wall plates are UL and ETL-approved.



2-Module Paddle Dimmer



2-Module Paddle Fan Speed Control



1-Module Paddle Switch

TECHNICAL SPECIFICATIONS

**3rd Party Compliance**

cULus Listed, File Number E140596, Standard UL498

**Performance**

**ELECTRICAL**

Maximum Working Voltage      120VAC

**MECHANICAL**

Back Wire      With internal pressure plates, #8-32 screw

Terminal Accommodations      #14AWG-#12AWG

**ENVIRONMENTAL**

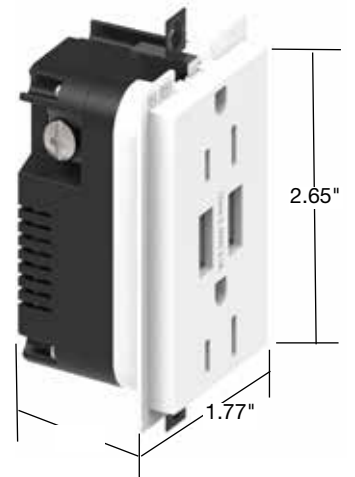
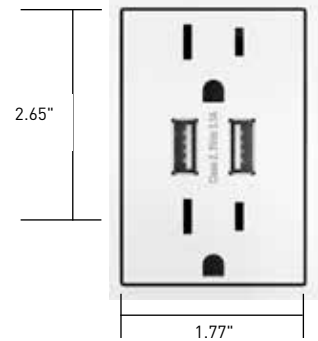
Flammability      UL94 V2

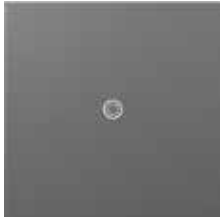
**Materials**

Cover	Polycarbonate	Terminal	Brass
Back Body	Polycarbonate	Termination	Steel Plated Screws

**Warranty**

Limited Lifetime Warranty





**softTap™**  
Switches & Dimmers – designed with an innovative micro-movement that turns lights on and off with just a soft “tap” of the finger.



**Wave™**  
Switches – Smart technology combined with sleek, modern design. Simply wave your hand to turn lights on and off.



**SensaSwitch™**  
Switches & Dimmers – Sensor turns lights on when you enter a room and off when you leave. (Also available in Manual-ON/Auto-OFF format.)



**Push™**  
Switches – A tactile, finger-sized impression lets you turn lights on and off with a simple push-button motion.



**Whisper™**  
Switches & Dimmers – A smart design that features elegant lines and a quiet, fluid motion.



**Tamper-Resistant Outlets/  
Tamper-Resistant GFCI Outlets**



**Touch™**  
Switches & Dimmers – A stunning translucent face works just like an iPhone® – simply touch your finger on the circle to turn lights on and off.



**USB Charging Outlets**



**Paddle™**  
Switches, Dimmers & Fan Speed Controls – A wide, graceful curve works with a simple up-and-down motion, allowing you to turn lights on and off with ease.



**Nightlight/Portable  
Nightlight Flashlight**

PLUS: Compatible Wall Plates, Accent Lights, Locator Lights, Under-Cabinet Lighting System

**NOTE: All brand and product names referenced in this document are registered trademarks or trademarks of their respective holders.**



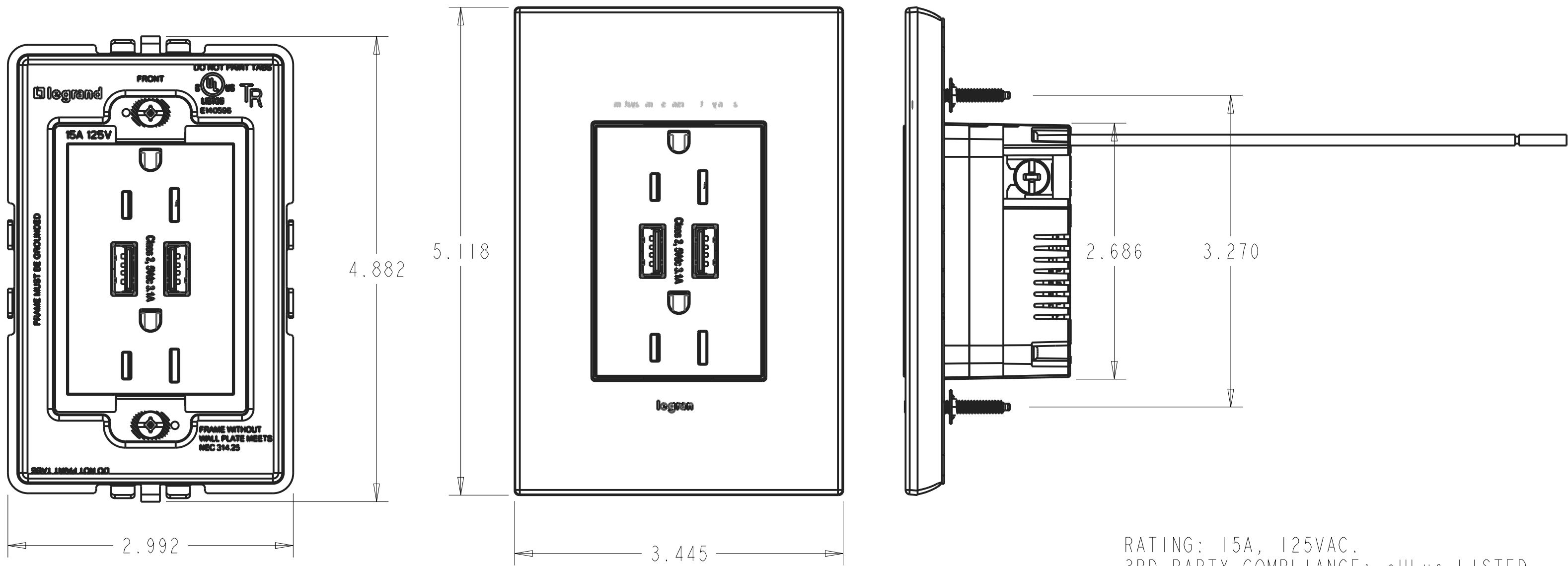
**NOTE:**The paper used to print this document is an environmentally responsible paper with 10% post consumer waste, with FSC and SFI Chain of Custody certifications, Lacey Act compliant. 100% of the electricity used to manufacture Flo sheets is generated with Green-e certified renewable energy.

**Legrand, North America**  
60 Woodlawn Street  
West Hartford, CT 06110  
1.877.BY.LEGRAND (295.3472)  
www.legrand.us

**Canada**  
905.738.9195  
www.legrand.ca

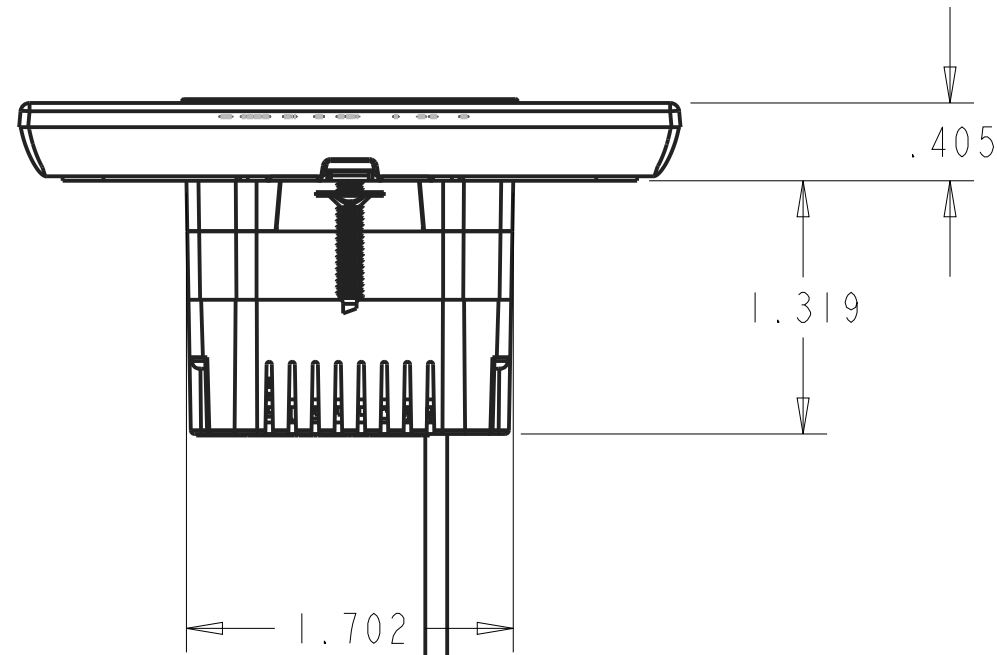
FOLLOW US





VIEW WITH WALL PLATE REMOVED.

RATING: 15A, 125VAC.  
 3RD PARTY COMPLIANCE: cULus LISTED  
 WIRE TERMINATION: BACK OR SIDE WIRE.  
 COPPER WIRE ONLY.



ARTRUSB153 RECEPTACLE					
MATERIAL	SEE NOTE	UNSPECIFIED TOL.	<b>Pass &amp; Seymour</b> <b>legrand</b> MODEL NAME: ARTRUSB153		
FINISH	SEE NOTE	FRAC. ± 1/64			
DSGN. BY:	8/23/17	ANGLES ± 1.0			
DR. BY:		DEC. ± 0.02			
CK. BY:		.00 ± 0.01	SHT 1 of 1	PROJ.	DWG. NO.:
		.000 ± 0.005	SCALE:	1.000	<b>PSCUST0002</b>
NOTICE: Proprietary and confidential information of Pass & Seymour/Legrand					REV.: <b>B</b>
Reproduction or disclosure prohibited under penalty of law.					