



Project:

Location:

Fixture Type:

Catalog Number:

AVAILABLE FINISHES:



Ledge

WS-W1408

PRODUCT DESCRIPTION

A luminous architectural profile and superior construction make this wall sconce appropriate for transitional and contemporary interiors or exteriors. Options allow for cohesive specifications across residential and commercial interior and exterior applications.

FEATURES

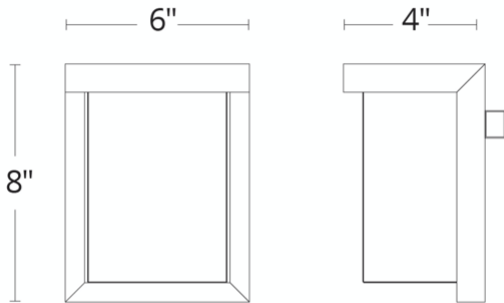
- 277V option available for special order.
- 2700K and 3500K CCT option available for special order.
- ACLED driverless technology
- White ceramic silk-screened mitered glass

SPECIFICATIONS

Rated Life	54000 Hours
Standards	ETL, cETL, Wet Location Listed, IP65, Title 24 JA8: 2019 Compliant
Input	120 VAC, 50/60Hz
Dimming	ELV
Color Temp	3000K
CRI	90
Construction	Aluminum with white mitered glass

REPLACEMENT PARTS

- RPL-GLA-1408-01 - Outer Glass
- RPL-GLA-1408-02 - Inner Glass



WS-W1408

Model & Size	Color Temp	Finish	LED Watts	LED Lumens	Delivered Lumens
WS-W1408 8"	3000K	AL Brushed Aluminum	12.6W	1050	419
	3000K	BK Black	12.6W	1050	419
	3000K	BZ Bronze	12.6W	1050	419

Example: **WS-W1408-BZ**

- For 277V special order, add an "F" before the finish: WS-W1408F-AL
- For '2700K' add "-27"; '3500K' add "-35" before the finish: WS-W1408-35-BZ

For custom requests please contact customs@modernforms.com



Project: _____

Location: _____

Fixture Type: _____

Catalog Number: _____

AVAILABLE FINISHES:



Ledge

WS-W1414

PRODUCT DESCRIPTION

A luminous architectural profile and superior construction make this wall sconce appropriate for transitional and contemporary interiors or exteriors. Options allow for cohesive specifications across residential and commercial interior and exterior applications.

FEATURES

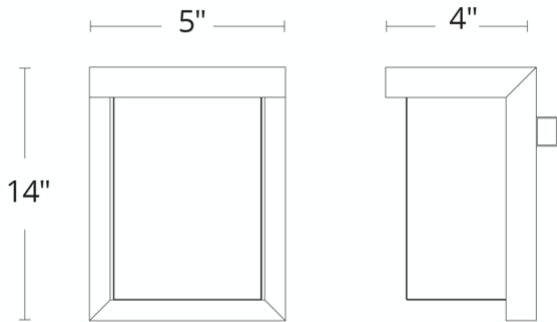
- 277V option available for special order.
- 2700K and 3500K CCT option available for special order.
- ACLED driverless technology
- White ceramic silk-screened mitered glass

SPECIFICATIONS

Rated Life	54000 Hours
Standards	ETL, cETL, Wet Location Listed, IP65, Title 24 JA8: 2019 Compliant
Input	120 VAC, 50/60Hz
Dimming	ELV
Color Temp	3000K
CRI	90
Construction	Aluminum with white mitered glass

REPLACEMENT PARTS

- RPL-GLA-1414-01 - Outer Glass
- RPL-GLA-1414-02 - Inner Glass



WS-W1414

Model & Size	Color Temp	Finish	LED Watts	LED Lumens	Delivered Lumens
WS-W1414 14"	3000K	AL Brushed Aluminum	14.9W	1313	626
	3000K	BK Black	14.9W	1313	626
	3000K	BZ Bronze	14.9W	1313	626

Example: **WS-W1414-BZ**

- For 277V special order, add an "F" before the finish: WS-W1414F-BK
- For '2700K' add "-27"; '3500K' add "-35" before the finish: WS-W1414-35-BZ

For custom requests please contact customs@modernforms.com



Project: _____

Location: _____

Fixture Type: _____

Catalog Number: _____

AVAILABLE FINISHES:



Ledge

WS-W1420

PRODUCT DESCRIPTION

A luminous architectural profile and superior construction make this wall sconce appropriate for transitional and contemporary interiors or exteriors. Options allow for cohesive specifications across residential and commercial interior and exterior applications.

FEATURES

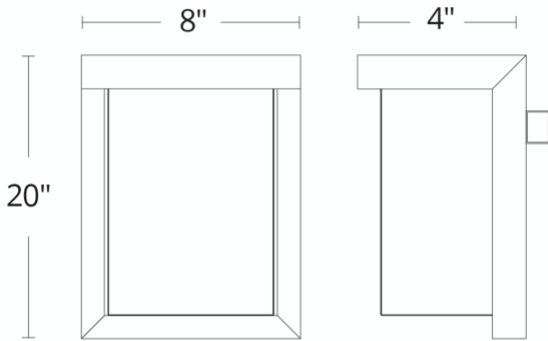
- 277V option available for special order.
- 2700K and 3500K CCT option available for special order.
- ACLED driverless technology
- White ceramic silk-screened mitered glass

SPECIFICATIONS

Rated Life	54000 Hours
Standards	ETL, cETL, Wet Location Listed, IP65, Title 24 JA8: 2019 Compliant
Input	120 VAC, 50/60Hz
Dimming	ELV
Color Temp	3000K
CRI	90
Construction	Aluminum with white mitered glass

REPLACEMENT PARTS

- RPL-GLA-1420-01 - Outer Glass
- RPL-GLA-1420-02 - Inner Glass



WS-W1420

Model & Size	Color Temp	Finish	LED Watts	LED Lumens	Delivered Lumens
WS-W1420 20"	3000K	AL Brushed Aluminum	26.5W	2356	1189
	3000K	BK Black	26.5W	2356	1189
	3000K	BZ Bronze	26.5W	2356	1189

Example: **WS-W1420-BZ**

- For 277V special order, add an "F" before the finish: WS-W1420F-AL
- For '3500K' add "-35"; '2700K' add "-27" before the finish: WS-W1420-27-AL

For custom requests please contact customs@modernforms.com