

# LED Chandelier

# CH14348

INSTALLATION SHEET

## START FROM HERE

- Make sure power is completely off at the fuse box.
- Have your fixture installed by a qualified licensed electrician
- Prepare everything in a clear area.
- Wear gloves at all times during this installation.
- Read instructions carefully before you start assembly.
- Keep this instruction sheet for future reference.

**Technical Support:** 1-855-855-8926

### Please Note:

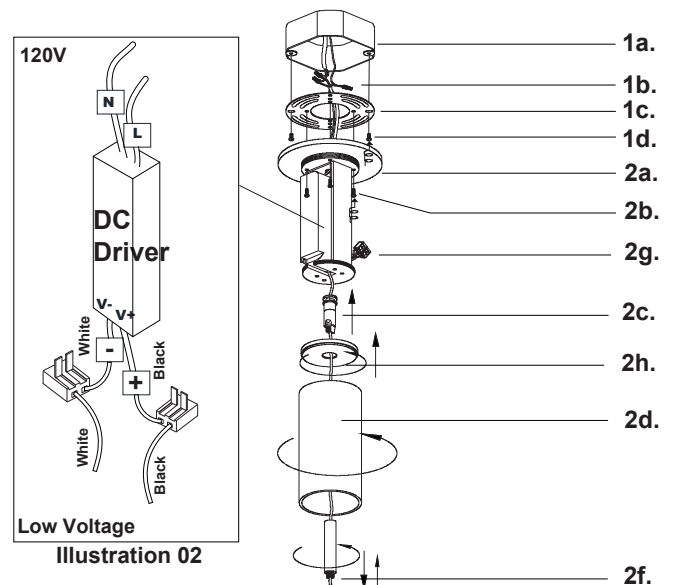
- For dimming, an ELV (Electronic Low Voltage) or a TRIAC type of dimmer is required
- For use on a sloped ceiling, use included angle adaptor

**1.** Remove the fixture from its original packaging. Secure the mounting plate (1c) to the junction box (1a) with the screws (1d) provided in the hardware package. Remove the driver cover (2d) and the canopy end cover (2h) from the canopy by turning counter clockwise. Connect all wires from the driver to the wires from the junction box correctly G ground to ground, N neutral wire (white to white), L live wire (black to black) with provided wire connectors (1b). Align the holes in the canopy (2a) to the threaded holes in the mounting plate (1c). Push the canopy up towards the ceiling. Use the screws (2b) to secure the canopy onto the mounting plate.

**2.** Select the hanging height of the fixture by adding or removing extension rods (2e) from the hardware package. Determine how much wire (2f) is needed from the hub (3a) to the DC driver in the canopy (2a). Depending on the length of the extension rods used, provide 7" of extra wire for connection up to the DC Driver (Shorten the wires if required)(DO NOT CUT WIRE SHORTER THAN 23" when using 12"+ 4" rods for the minimum hanging height). Using the 12" rod first with both female ends(See Illustration 03), connect each rod (2e) starting from the hub going clockwise while pushing the wires (2f) through each rod until you reach the angle adaptor (2c). Before connecting the wires (2f) to the driver, make sure to insert the canopy cover (2d) through the rods (2e). Once the rods are fully connected and wires are pulled into the canopy, connect the wires to the DC driver by using the wire connector (2g) provided. **Black to black and white to white (See Illustration 02 and refer to the diagram on the driver).** Lastly, attach the canopy cover to the canopy by turning clockwise.

**3.** Next, attach the LED spoke (3b) to the center of the fixture hub (3a). Push in the LED spoke to the hub and secure with set screws (3d) provided. Install the quick connector from the hub (3a) to LED connector in the spoke (3b) (See Illustration 01) and push extra wires back to the hub. Slide the diffusers (3e) in the spokes and secure using the endcaps (3c) (use a rubber mallet if necessary, not provided). Repeat assembly for the remaining spokes.

**4.** You have now completed the installation of your fixture, enjoy.



Low Voltage  
Illustration 02

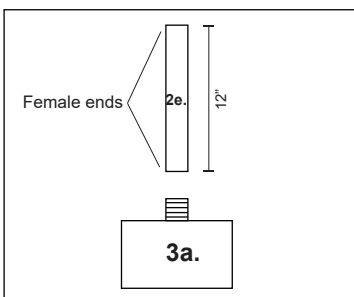


Illustration 03

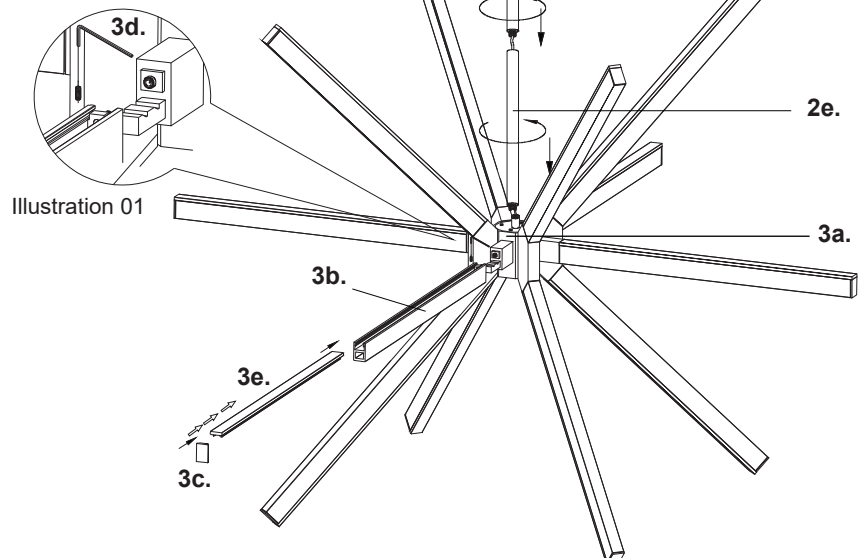


Illustration 01

# KUZCO

19054 28th Avenue Surrey, BC Canada V3Z 6M3  
 T: 604 538 7162 TF: 1-855 85 KUZCO F: 604 538 7196  
 W: kuzcolighting.com  
 20181207