

LED Table Lamp

TL90118
INSTALLATION SHEET

START FROM HERE

- Prepare everything in a clear area.
- Read instructions carefully before you start assembly.
- Keep this instruction sheet for future reference.

Technical Support: 1-855-855-8926

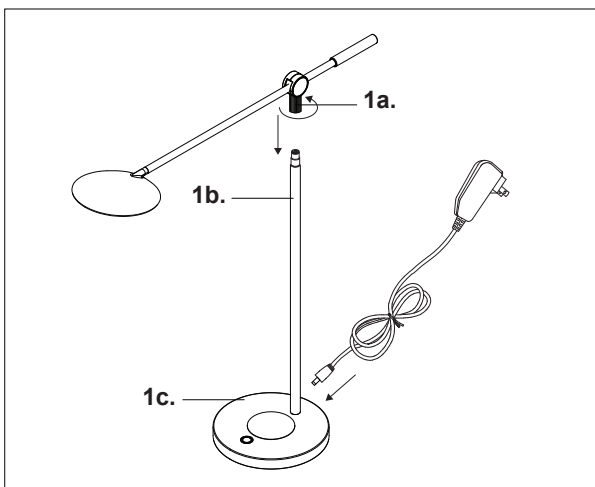
Please Note:

- This Kuzco LED fixture comes with pre-wired LED module(s)
- Unless instructed, Do Not touch any part of the LED module(s) as any unnecessary contact with the module could cause permanent damage
- Touch Dimmer
- 120V input

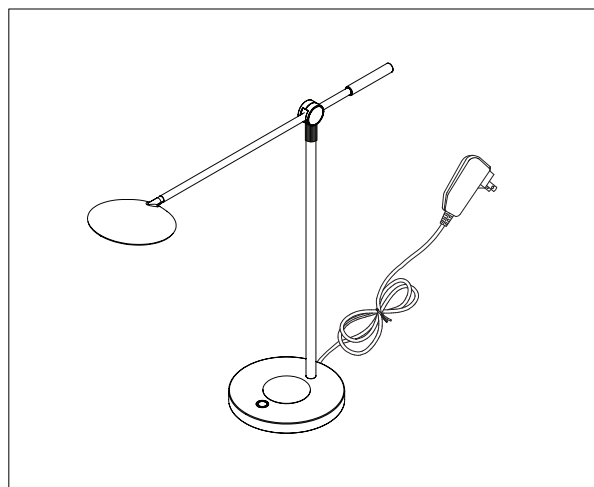
INSTRUCTIONS

1. Secure fixture **(1a)** to rod **(1b)** by threading clockwise.
2. Insert driver into base **(1c)**
3. Plug driver into outlet
4. Use hand to activate dimmer. Touch and hold to dim, touch to turn on/off
5. Use usb port or wireless charging pad to charge cellphone

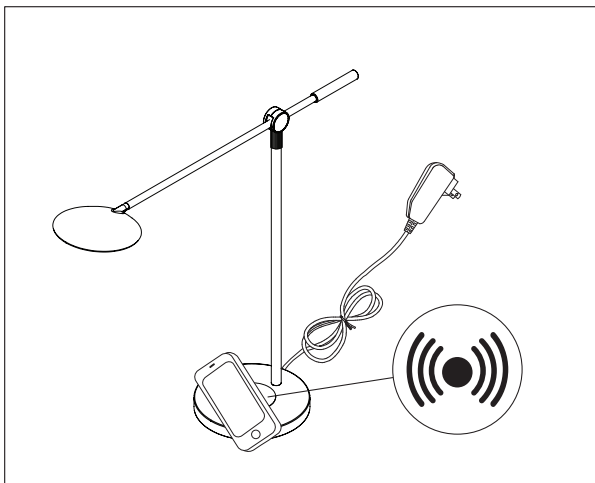
Assemble Fixture



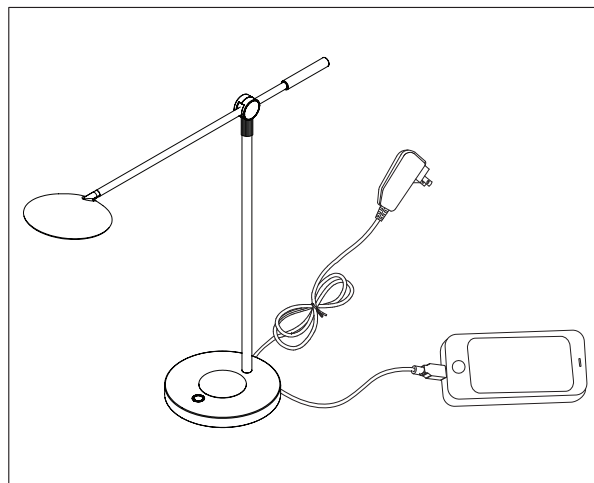
Plug Driver Into Outlet



Wireless Charging



USB Port Charging



KUZCO

19054 28th Avenue Surrey, BC Canada V3Z 6M3
T: 604 538 7162 TF: 1-855 85 KUZCO F: 604 538 7196
W: kuzcolighting.com
20210728