

LED Linear Pendant

LP72237
INSTALLATION SHEET

START FROM HERE

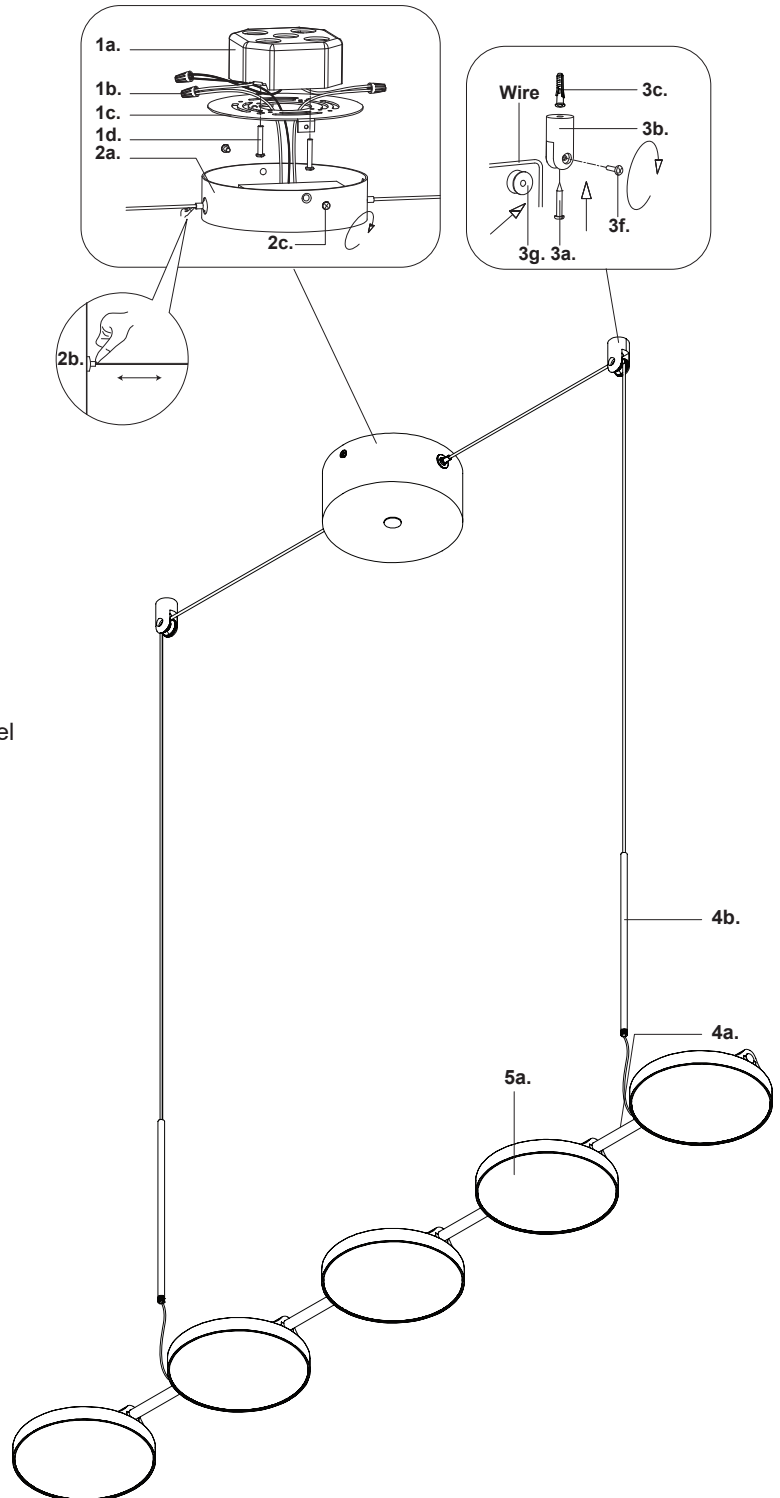
- Make sure **POWER** is **COMPLETELY OFF** at the fuse box
- Have your fixture installed by a qualified licensed electrician
- Prepare everything in a clear area
- Wear gloves at all time during this installation
- Read instructions carefully before you start assembly
- Keep this installation sheet for future reference

Technical Support: 1-855-855-8926

Please Note:

- This Kuzco LED fixture comes with pre-wired LED module(s)
- Unless instructed, Do Not touch any part of the LED module(s) as any unnecessary contact with the module could cause permanent damage
- For dimming, an ELV (Electronic Low Voltage) or TRIAC type of dimmer is required
- 120V input

- 1.** Remove the fixture from its original packaging
- 2.** Separate the mounting plate (1c) from the canopy (2a) by removing the screws (2c)
- 3.** Attach the mounting plate (1c) to the electrical junction box (1a) using the two screws (1d) provided in the hardware package
- 4.** Thread connector (4b) into fixture (4a) to secure
- 5.** Make proper electrical connections (black to hot "L", white to neutral "N", ground to "GND") with wire nuts (1b) provided in hardware package
- 6.** Attach canopy (2a) to mounting plate (1c) with screws (2c) and allen key provided
- 7.** Mark and install aircraft barrel (3b) with screw (3a) and plastic anchor (3c) to the ceiling, opening on aircraft barrel (3b) facing towards canopy (2a). Ideal distance between aircraft barrel (3b) is 46-1/8".
- 8.** Place wire onto pulley (3g), insert into aircraft barrel (3b) and secure with screw (3f)
- 9.** Fine tune wire length if necessary, by push and hold wire gripper (2b) and then adjust wire to desired length
- 10.** Tilt heads (5a) to desired position



KUZCO

19054 28th Avenue Surrey, BC Canada V3Z 6M3
T: 604 538 7162 TF: 1-855 85 KUZCO F: 604 538 7196
W: kuzcolighting.com
20210729

LED Linear Pendant

LP72237
INSTALLATION SHEET

START FROM HERE

- Make sure **POWER** is **COMPLETELY OFF** at the fuse box
- Have your fixture installed by a qualified licensed electrician
- Prepare everything in a clear area
- Wear gloves at all time during this installation
- Read instructions carefully before you start assembly
- Keep this installation sheet for future reference

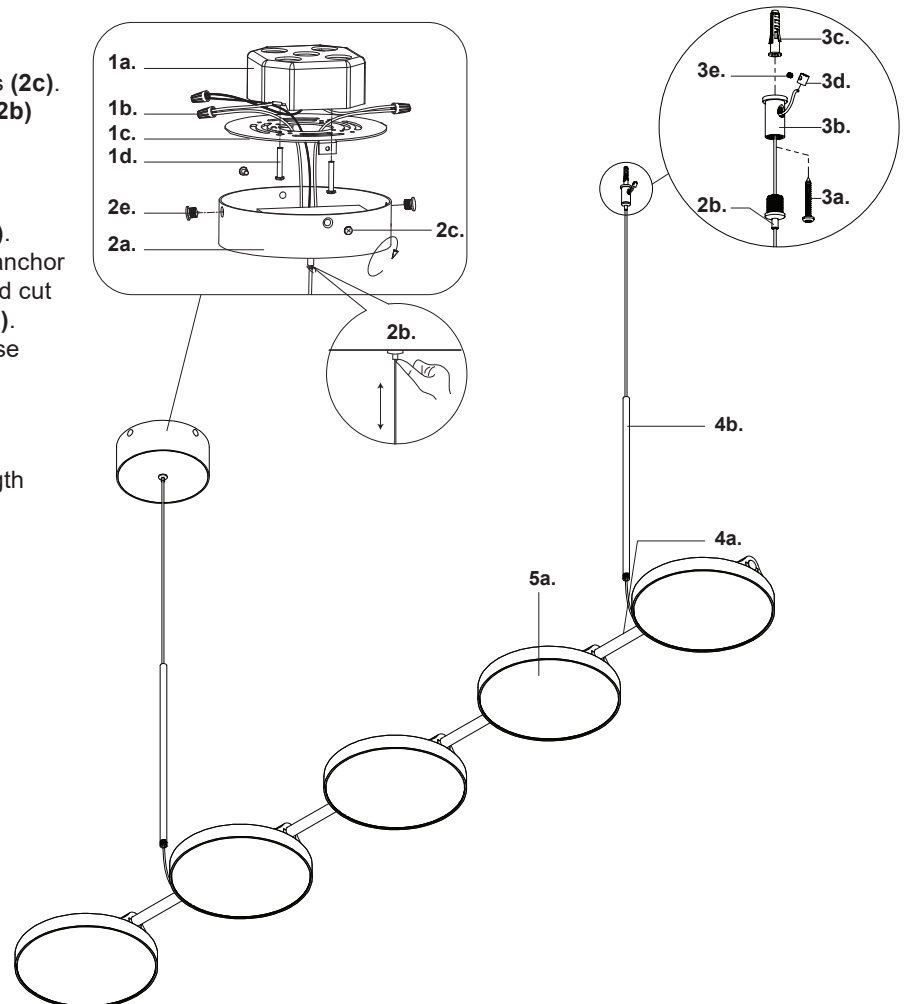
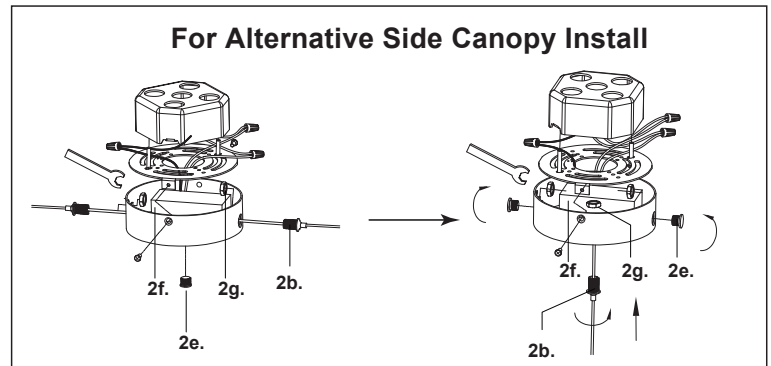
Technical Support: 1-855-855-8926

Please Note:

- This Kuzco LED fixture comes with pre-wired LED module(s)
- Unless instructed, Do Not touch any part of the LED module(s) as any unnecessary contact with the module could cause permanent damage
- For dimming, an ELV (Electronic Low Voltage) or TRIAC type of dimmer is required
- 120V input

FOR ALTERNATIVE SIDE CANOPY INSTALL

1. Disconnect output wires on driver (2f)
2. Move wire gripper (2b) to bottom of the canopy, secure with nut (2g), and close holes on side of canopy with plugs (2e)
3. Thread connector (4b) into fixture (4a) to secure
4. Reconnect driver positive wire to center core of hanging cable, and negative to meshed conductor
5. Attach canopy (2a) to mounting plate (1c) with screws (2c). Position desired amount of wire by pushing gripper (2b) on canopy
6. Pull wire through aircraft barrel (3b) and stopper (3d). Secure aircraft barrel (3b) to mounting surface with anchor (3c) and screw (3a). Adjust wire to desired length and cut off any remaining wire and secure with set screw (3e). Insert wire gripper (2b) into aircraft barrel (3b) to close
7. Fine tune wire length if necessary, by push and hold wire gripper (2b) and then adjust wire to desired length
8. Tilt heads (5a) to desired position



KUZCO

19054 28th Avenue Surrey, BC Canada V3Z 6M3
T: 604 538 7162 TF: 1-855 85 KUZCO F: 604 538 7196
W: kuzcolighting.com
20210729