

**NEWPORT  
ER7110-MBOX  
STEP LIGHTS**

PROJECT

**DESCRIPTION**

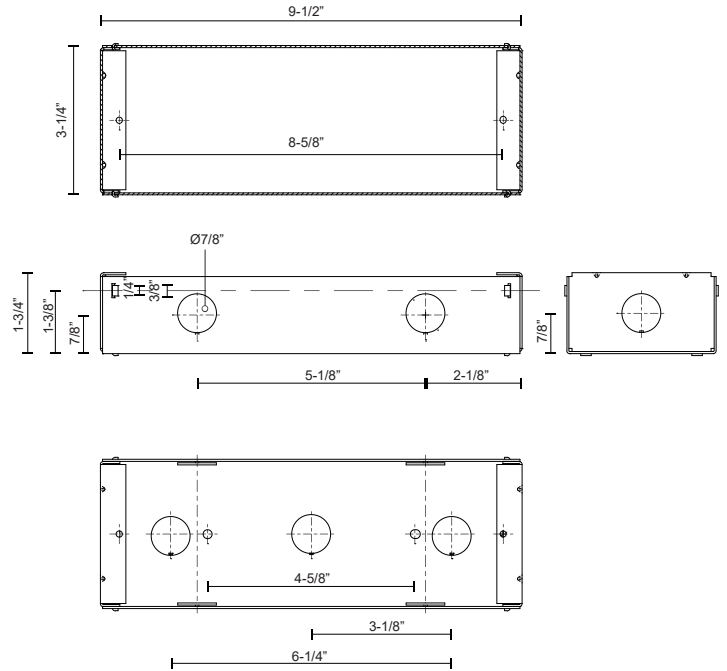
Dry location back box compatible with the ER7110 and ER9410.



**SPECIFICATION DETAILS**

\* For custom options, consult factory for details.

<b>Fixture Dimensions</b>	W9-1/2" x H3-1/4" x E1-3/4"
<b>Location</b>	Dry
<b>Warranty</b>	5 Years



**KUZCO**

19054 28TH AVENUE  
SURREY - BC V3Z 6M3  
CANADA

WWW.KUZCOLIGHTING.COM

COMMENT

