

# MAVIS EW4405

WALL

PROJECT



EW4405-BK  
Black



EW4405-WH  
White

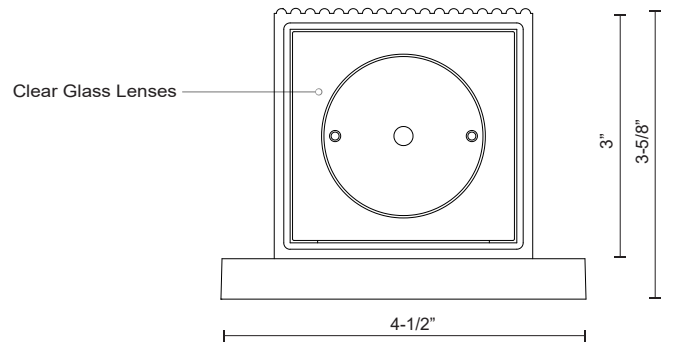
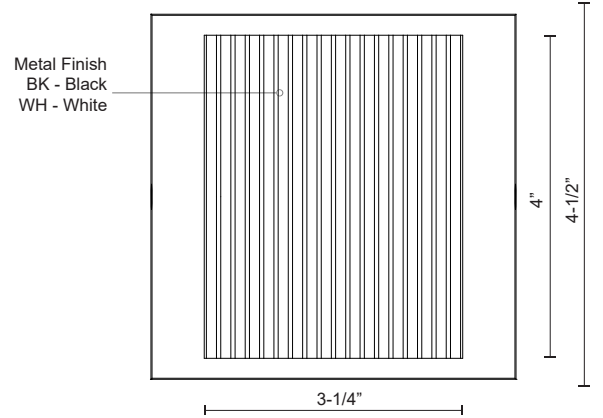
## SPECIFICATION DETAILS

\* For custom options, consult factory for details.

<b>Fixture Dimensions</b>	W3-1/4" x H4" x E3-5/8"
<b>Light Source</b>	AC LED Module
<b>Wattage</b>	16W
<b>Total Lumens</b>	1200lm
<b>Delivered Lumens</b>	BK-696lm; WH-852lm;
<b>Voltage</b>	120V
<b>Color Temperature</b>	3000K
<b>CRI (Ra)</b>	90CRI
<b>Optional Color Temps</b>	2700K - 5000K Available, Minimum Order Quantities Apply
<b>LED Rated Life</b>	50,000 hours
<b>Dimming</b>	100% - 10%, ELV Dimmer (Not Included)
<b>Diffuser Details</b>	Clear Glass
<b>Location</b>	Wet
<b>Illumination Direction</b>	Up and Down
<b>Mounting Style</b>	All Orientation; Wall;
<b>Warranty</b>	5 Years
<b>ADA Compliant</b>	Yes
<b>Canopy Dimensions</b>	W4-1/2" x H4-1/2" x E5/8"

## DESCRIPTION

Providing uplight and downlight, this exterior wall sconce is simple and small. A black or white powder coated cube is attached to the square matching backplate with concealed fasteners. Light exits from its two 2 opposite ends whether it is mounted horizontally or vertically. A linear pin-strip patterning adds interest to the front of the cube.



COMMENT

# KUZCO

19054 28TH AVENUE  
SURREY - BC V3Z 6M3  
CANADA

WWW.KUZCOLIGHTING.COM

