

# LED Vanity Lamp

**WS54615**  
INSTALLATION SHEET

## START FROM HERE

- Make sure **POWER** is **COMPLETELY OFF** at the fuse box
- Have your fixture installed by a qualified licensed electrician
- Prepare everything in a clear area
- Wear gloves at all time during this installation
- Read instructions carefully before you start assembly
- Keep this installation sheet for future reference

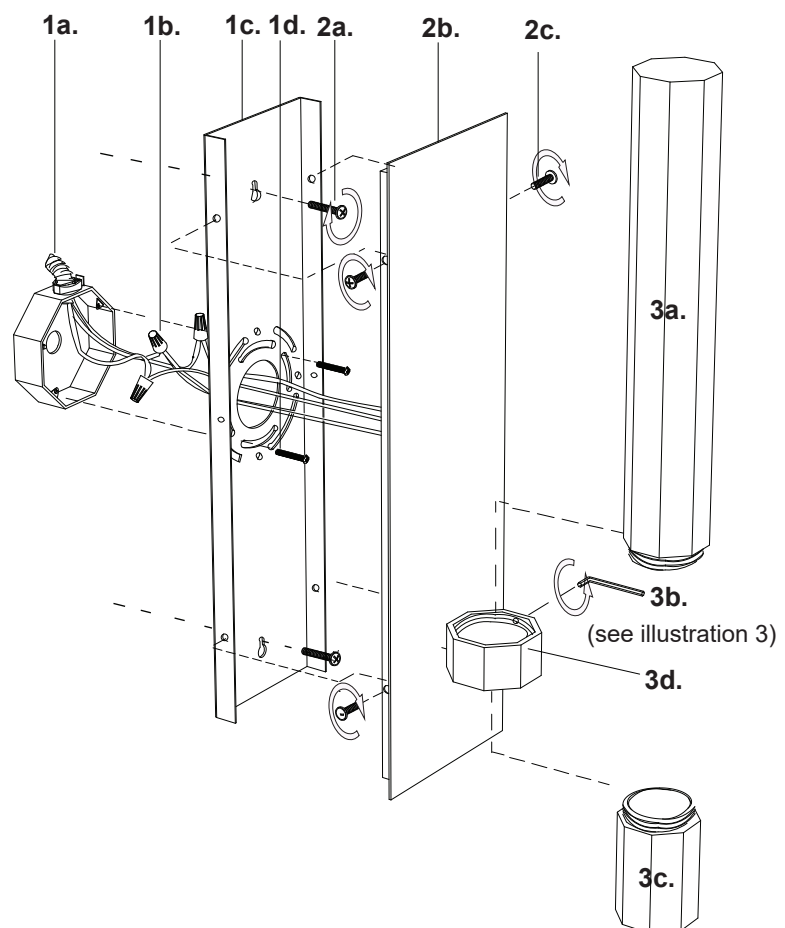
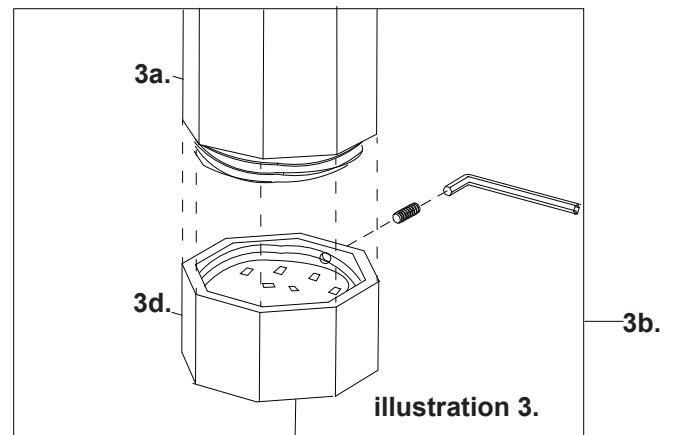
### Please Note:

- All Kuzco LED fixtures come with pre-wired LED module(s).
- Unless instructed to do so, please do not touch any part of the LED module(s) as any unnecessary contact with the module could cause permanent damage.
- For dimming, an ELV (Electronic Low Voltage) type of dimmer is required.

**CAUTION: HEAVY FIXTURE, THE JUNCTION BOX NEEDS TO BE REINFORCED BEFORE INSTALLATION.**

**Technical Support:** 1-855-855-8926

- 1.** Remove the fixture from its original packaging. Remove the canopy mounting plate (**1c.**) from within the canopy (**2b**) and attach it to the electrical junction box (**1a**) using the two screws (**1d**) provided in the hardware package. Next, drill pilot holes into the gyprock or wall studs and set plastic anchors into gyprock. Finish with anchor screws (**2a**).
- 2.** Now feed the electrical wires (**1b**), from inside the electrical box, through the metal cover plate (**1c**).
- 3.** Attach all wiring (**1b**) with the provided marrets (white to white "N", black to black "L", ground to ground "G"). Align the holes on the sides of the canopy (**2b**) to the holes on the canopy back plate (**1c**). Once aligned, screw in the four screws (**2c**) provided to secure the canopy (**2b**) to the back plate (**1c**).
- 4.** Now, thread on the top crystal (**3a**) and bottom crystal (**3c**) clockwise to the LED engine (**3d**). It is preferred that you align the surfaces of crystals (**3a**) and (**3c**) with the LED engine (**3d**) (see illustration 3) Using the provided Allen key, secure the base of the top crystal with a set screw (**3b**).
- 5.** You have now completed the installation of your fixture, enjoy.



**KUZCO**

19054 28th Avenue Surrey, BC Canada V3Z 6M3  
T: 604 538 7162 TF: 1-855 85 KUZCO F: 604 538 7196  
W: kuzcolighting.com  
20181127