

# LED Linear Pendant

# LP73073

INSTALLATION SHEET

## START FROM HERE

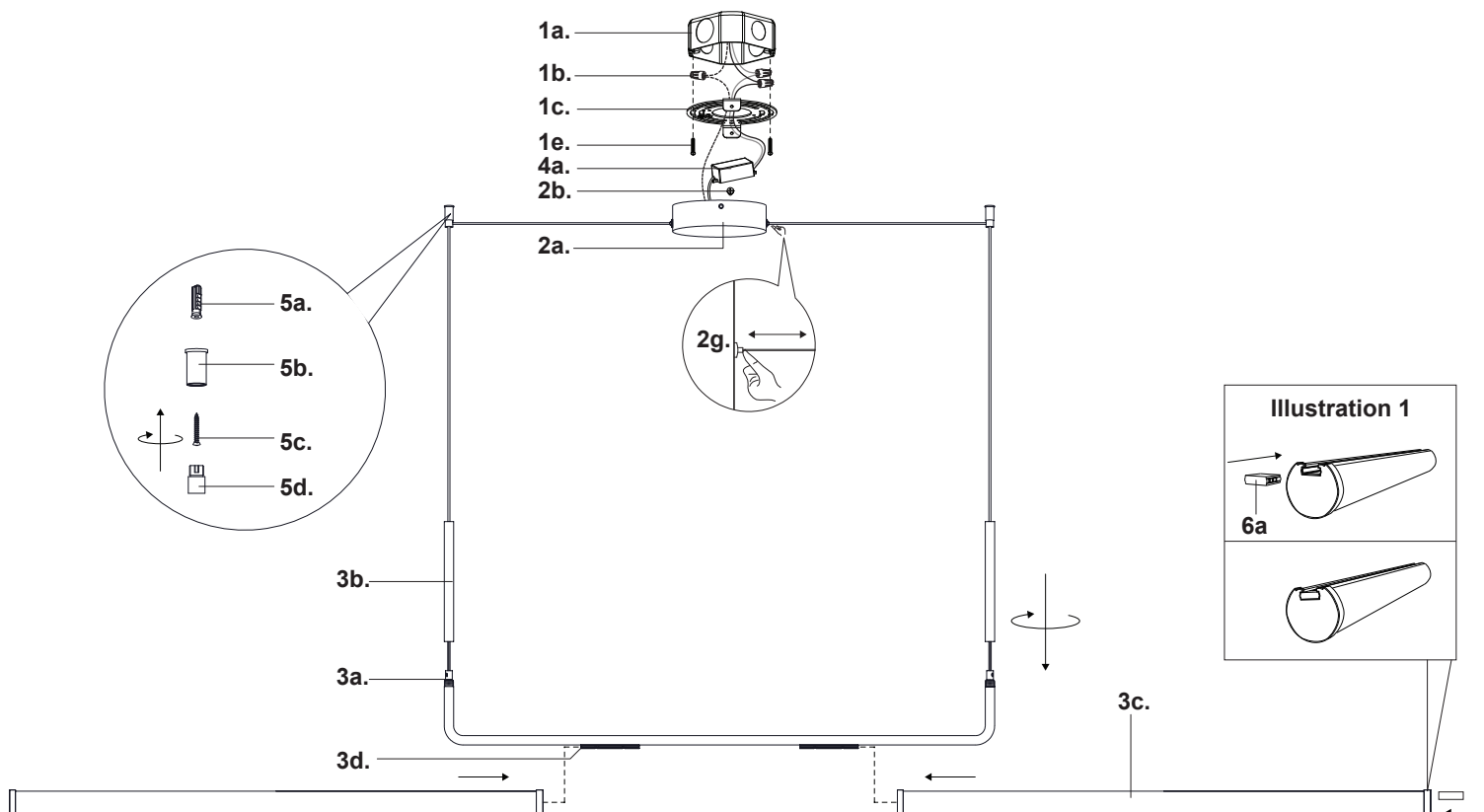
- Make sure **POWER** is **COMPLETELY OFF** at the fuse box
- Have your fixture installed by a qualified licensed electrician
- Prepare everything in a clear area
- Wear gloves at all time during this installation
- Read instructions carefully before you start assembly
- Keep this installation sheet for future reference

## Please Note:

- This Kuzco LED fixture comes with pre-wired LED module(s)
- Unless instructed, Do Not touch any part of the LED module(s) as any unnecessary contact with the module could cause permanent damage
- Use ELV (Electronic Low Voltage) or TRIAC type of dimmer for dimming application
- 120V input

Technical Support: 1-855-855-8926

1. Remove fixture from its original package
2. Separate mounting plate (1c) from canopy (2a) by removing canopy screws (2b)
3. Attach mounting plate (1c) to electrical junction box (1a) using junction box screws provided (1e) in hardware package
4. Thread connector (3b) into fixture (3a) to secure
5. Slide shade (3c) onto fixture strip (3d), followed by plug (6a) (See Illustration 1)
6. Make proper electrical connections (**black to hot "L"**, **white to neutral "N"**, **ground to "GND"**) with wire nuts (1b) provided in hardware package and place driver (4a) in canopy (2a)
7. Attach canopy (2a) to mounting plate (1c) with canopy screws (2b)
8. Mark and install ceiling anchors (5b) with anchor (5a), and screw (5c), opening on ceiling anchor (5b) facing towards canopy (2a). Ideal distance between ceiling anchors (3b) is 35-7/16". Close with cap (5d) by threading clockwise
9. Fine tune wire length if necessary, by push and hold wire gripper (2g) and then adjust wire to desired length



# KUZCO

19054 28th Avenue Surrey, BC Canada V3Z 6M3  
T: 604 538 7162 TF: 1-855 85 KUZCO F: 604 538 7196  
W: kuzcolighting.com  
20230109