

SAMPSON 401207-LED

PENDANTS

PROJECT



401207WH-LED
White



401207BK-LED
Black

SPECIFICATION DETAILS

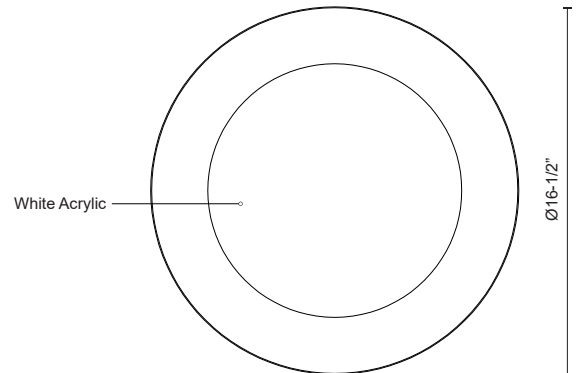
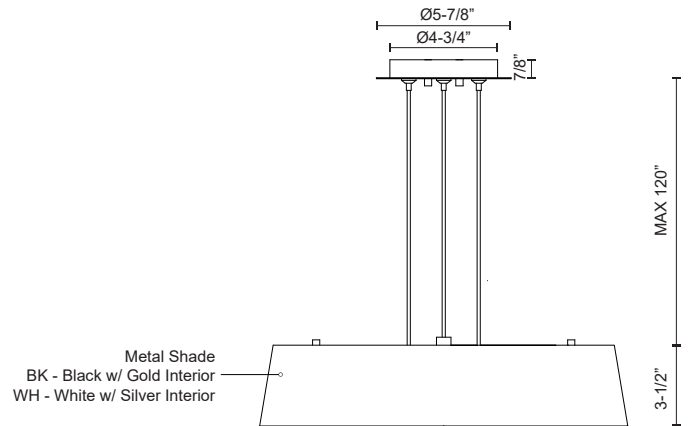
Fixture Dimensions	D16-1/2" x H3-1/2"
Light Source	AC LED Module
Wattage	26W
Total Lumens	1600lm
Delivered Lumens	BK-957lm; WH-975lm;
Voltage	120V
Color Temperature	3000K
CRI (Ra)	90CRI
Optional Color Temps	2700K - 5000K Available, Minimum Order Quantities Apply
LED Rated Life	50,000 hours
Dimming	100% - 10%, ELV Dimmer (Not Included)
Diffuser Details	White Acrylic Diffuser
Shade Details	Spun Aluminum Shade
Adjustable	Yes
Wire Length	120" Max
Wire Type	Clear SSL Wire
Minimum Hang Height	8"
Sloped Ceiling Adaptable	Yes
Location	Dry
CEC Title 24 JA8	Yes, JA8-2022
Energy Star Certified	Energy Star Compliant
Canopy Dimensions	D5-7/8" x H7/8"
Paint Finish	BK01; WH01;

* For custom options, consult factory for details.

* For warranty information, please visit www.kuzcolighting.com/warranty

DESCRIPTION

The Sampson pendant envelops a luminous opal dome that casts light down and outward, showcasing the metallic inner shade coating. Contrasting the powder-coated interior the substantial surfaces of the drum exterior are matte, emphasizing the visual impact of the lamp. Available in two curated color combinations, Black with Gold or White with Silver.



KUZCO

CANADA: 19054 28TH AVENUE - SURREY, BC V3Z 6M3

USA: 3035 E. LONE MOUNTAIN ROAD - LAS VEGAS, NV 89081

WWW.KUZCOLIGHTING.COM

© 2010 KUZCO LIGHTING. ALL RIGHTS RESERVED.

COMMENT

