

# Ceiling LED Chandelier

**CH20625**  
INSTALLATION SHEET

## START FROM HERE

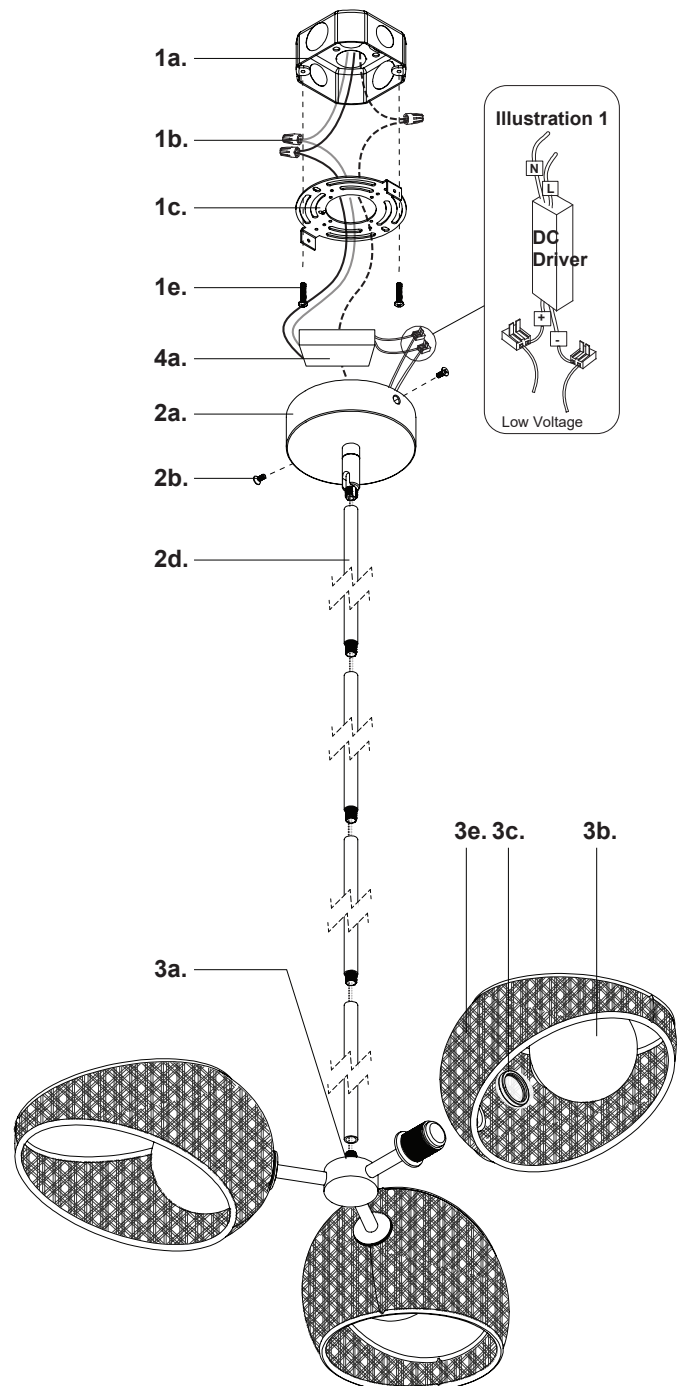
- Make sure **POWER** is **COMPLETELY OFF** at the fuse box
- Have your fixture installed by a qualified licensed electrician
- Prepare everything in a clear area
- Wear gloves at all time during this installation
- Read instructions carefully before you start assembly
- Keep this installation sheet for future reference

**Technical Support:** 1-855-855-8926

## Please Note:

- This Kuzco LED fixture comes with pre-wired LED module(s)
- Unless instructed, Do Not touch any part of the LED module(s) as any unnecessary contact with the module could cause permanent damage
- Use ELV (Electronic Low Voltage) or TRIAC type of dimmer for dimming application
- 120V input

- 1.** Remove fixture from its original package
- 2.** Separate mounting plate (**1c**) from canopy (**2a**) by removing canopy screws (**2b**)
- 3.** Attach mounting plate (**1c**) to electrical junction box (**1a**) using junction box screws provided (**1e**) in hardware package
- 4.** Determine hanging height of fixture by securing rods (**2d**) to canopy (**2a**) and fixture body (**3a**) after feeding fixture wires (LED+ and LED-) through rods
- 5.** Make proper electrical connections between LED and DC driver, LED- Negative, LED+ Positive using quick connector provided (See **Illustration 1** and refer to diagram on driver)
- 6.** Make proper electrical connections (**black to hot "L"**, **white to neutral "N"**, **ground to "GND"**) with wire nuts (**1b**) provided in hardware package and place driver (**4a**) inside canopy (**2a**)
- 7.** Attach shade (**3e**) to fixture body (**3a**) with ring (**3c**), followed by glass (**3b**) and secure by threading clockwise
- 8.** Attach canopy (**2a**) to mounting plate (**1c**) with canopy screws (**2b**)



KUZCO

19054 28th Avenue Surrey, BC Canada V3Z 6M3  
T: 604 538 7162 TF: 1-855 85 KUZCO F: 604 538 7196  
W: kuzcolighting.com  
20240109