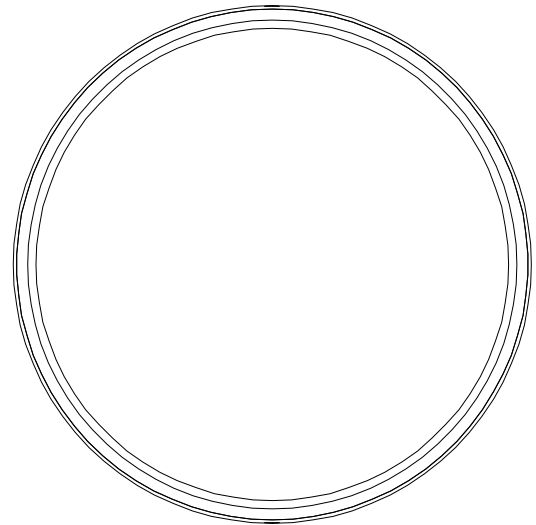
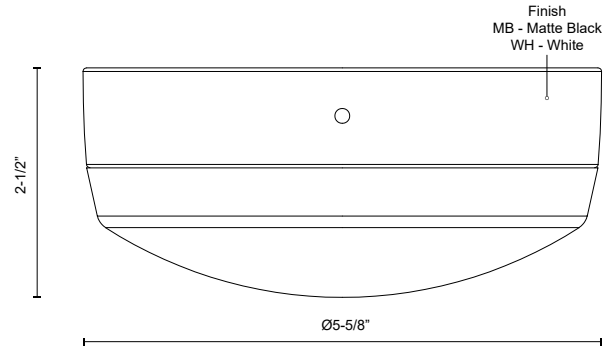


HUGO
X-LK-929
 ACCESSORIES

PROJECT

DESCRIPTION



SPECIFICATION DETAILS

Fixture Dimensions	D5-5/8" x H2-1/2" Fan Dimension with LK: D52" x H15"
Light Source	LED
Total Lumens	1900lm
Delivered Lumens	1020lm*
Voltage	120V
Color Temperature	3000K
CRI (Ra)	90CRI
LED Rated Life	50,000 hours
Dimming	Remote/Smart Dimming
Diffuser Details	Frosted Polycarbonate Lens
Location	Wet
Illumination Direction	Down
Paint Finish	MB01; WH01;
Control	Remote + Smart Control
Material	Aluminum + PC

* For custom options, consult factory for details.
 * For warranty information, please visit www.kuzcolighting.com/warranty

KUZCO

CANADA: 19054 28TH AVENUE - SURREY, BC V3Z 6M3
 USA: 3035 E. LONE MOUNTAIN ROAD - LAS VEGAS, NV 89081

WWW.KUZCOLIGHTING.COM

© 2024 KUZCO LIGHTING. ALL RIGHTS RESERVED.

COMMENT

