

DORCHESTER WS16811L

WALL

PROJECT



DESCRIPTION

Perched on a rounded rectangular backplate an adjustable cylinder projects light where directed. The primary source of illumination in the DORCHESTER series is an LED spot focused by a fine convex glass optic. Integrated into the wall mount is a perimeter of ambient light connected to an independent switch. The larger product version adds further versatility with the addition of a phone shelf and concealed USB port.



WS16811L-BK
Black

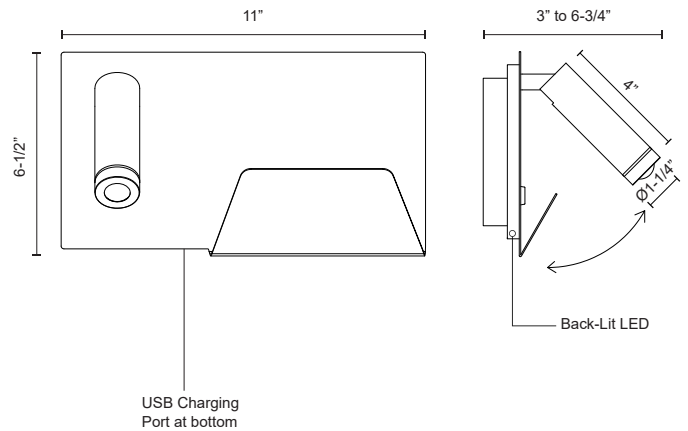


WS16811L-WH
White

SPECIFICATION DETAILS

* For custom options, consult factory for details.

Fixture Dimensions	W11" x H6-1/2" x E3" to 6-3/4"
Light Source	LED with DC Driver
Wattage	16W
Total Lumens	925lm
Delivered Lumens	WH-811lm
Voltage	120V
Color Temperature	3000K
CRI (Ra)	80CRI
Optional Color Temps	2700K - 5000K Available, Minimum Order Quantities Apply
LED Rated Life	50,000 hours
Dimming	Non-Dimming
Diffuser Details	Clear Acrylic TIR Lens
Location	Dry
Warranty	5 Years
Illumination Direction	Adjustable Spot Light and Backlit



KUZCO

19054 28TH AVENUE
SURREY - BC V3Z 6M3
CANADA

WWW.KUZCOLIGHTING.COM

COMMENT