

BAYLOR CF77860

FANS

PROJECT



CF77860-MB/NW
Matte
Black/Natural Oak
Wood



CF77860-MB/DW
Matte Black/Dark
Walnut

SPECIFICATION DETAILS

Fixture Dimensions	D60" x H15"
Light Source	LED
Max Wattage	Max 32W Motor
Voltage	120V
Dimming	Remote/Smart Control
Rod Length	6" (for different rod length, contact factory)
Sloped Ceiling Adaptable	Yes, Up to 18 Degrees
Location	Damp
Canopy Dimensions	D5-7/8" x H2-1/2"
Paint Finish	MB01
Minimum Distance to Floor	84"
Ceiling to Blade Distance	10-5/8" Minimal
Blade	3 Blades @ 16 Degress Pitch
Control	Remote + Smart Control
Fan RPM	6 Speed (Reversible), 60-126rpm
CFM	6172 Max
Airflow Efficiency (CFM/WATT)	208 Max
Estimated Yearly Energy Cost (\$)	6
Material	Steel + Wood Blades

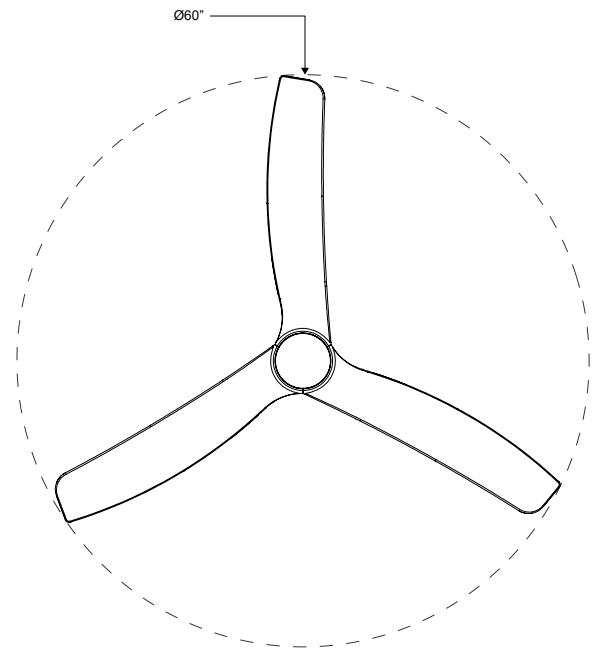
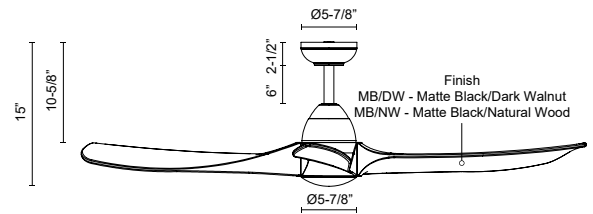
* For custom options, consult factory for details.

* For warranty information, please visit www.kuzcolighting.com/warranty

DESCRIPTION

Introducing the Baylor Carved Wood Blade Fan, where style meets innovation in perfect harmony. Crafted with meticulous detail and available in two exquisite finishes – dark walnut and natural oak wood – this fan is a statement piece that complements any decor. Its modern 3-blade design, adorned with sleek matte black accents, adds a touch of sophistication to any room. Choose your desired configuration, with or without the optional light kit, and experience the convenience of smart fan technology, powered by the Smart by Bond app, or opt for the included handheld remote for effortless control.

- Carved real wood blades
- Smart fan technology when you download the Smart by Bond App
- Handheld remote included
- Compatible with iHome, Alexa, and Google products
- Timed on/off options available



COMMENT

KUZCO

CANADA: 19054 28TH AVENUE - SURREY, BC V3Z 6M3

USA: 3035 E. LONE MOUNTAIN ROAD - LAS VEGAS, NV 89081

WWW.KUZCOLIGHTING.COM

© 2024 KUZCO LIGHTING. ALL RIGHTS RESERVED.



X-ADP 34 FAN

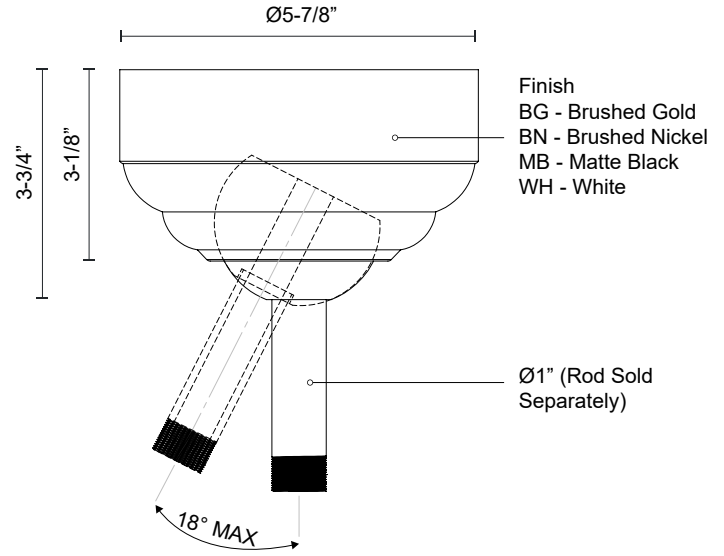
ADAPTORS

DESCRIPTION

Sloped ceiling adaptor for fans. Available in four finishes. Sold separately.

SPECIFICATION DETAILS

Slope Ceiling Adaptor Dimensions	D5-7/8" x H3-3/4"
Sloped Ceiling Adaptable	Yes, Up to 18 Degrees
Location	Damp; Wet (Only CF92952)



SUGGESTED FAN SELECTION TO WORK WITH SLOPE CEILING ADAPTOR

X-ADP 34 BG FAN



CF91954-BG/MB
Brushed Gold/
Matte Black



CF91954-BG/WH
Brushed Gold/White

X-ADP 34 BN FAN



CF91954-BN/WH
Brushed Nickel/
White



CF91954-BN/MB
Brushed Nickel/
Matte Black

X-ADP 34 MB FAN



CF90960-MB
Matte Black



CF90955-MB
Matte Black



CF91954-MB
Matte Black



CF92952-MB
Matte Black



CF77860-MB/NW
Matte Black/Natural
Oak Wood



CF77860-MB/DW
Matte Black/Dark
Walnut



CF97860-MB/NW
Matte Black/Natural
Oak Wood



CF97860-MB/DW
Matte Black/Dark
Walnut

X-ADP 34 WH FAN



CF90960-WH
White



CF90955-WH
White



CF92952-WH
White

KUZCO

CANADA: 19054 28TH AVENUE - SURREY, BC V3Z 6M3

USA: 3035 E. LONE MOUNTAIN ROAD - LAS VEGAS, NV 89081

WWW.KUZCOLIGHTING.COM

© 2023 KUZCO LIGHTING. ALL RIGHTS RESERVED.

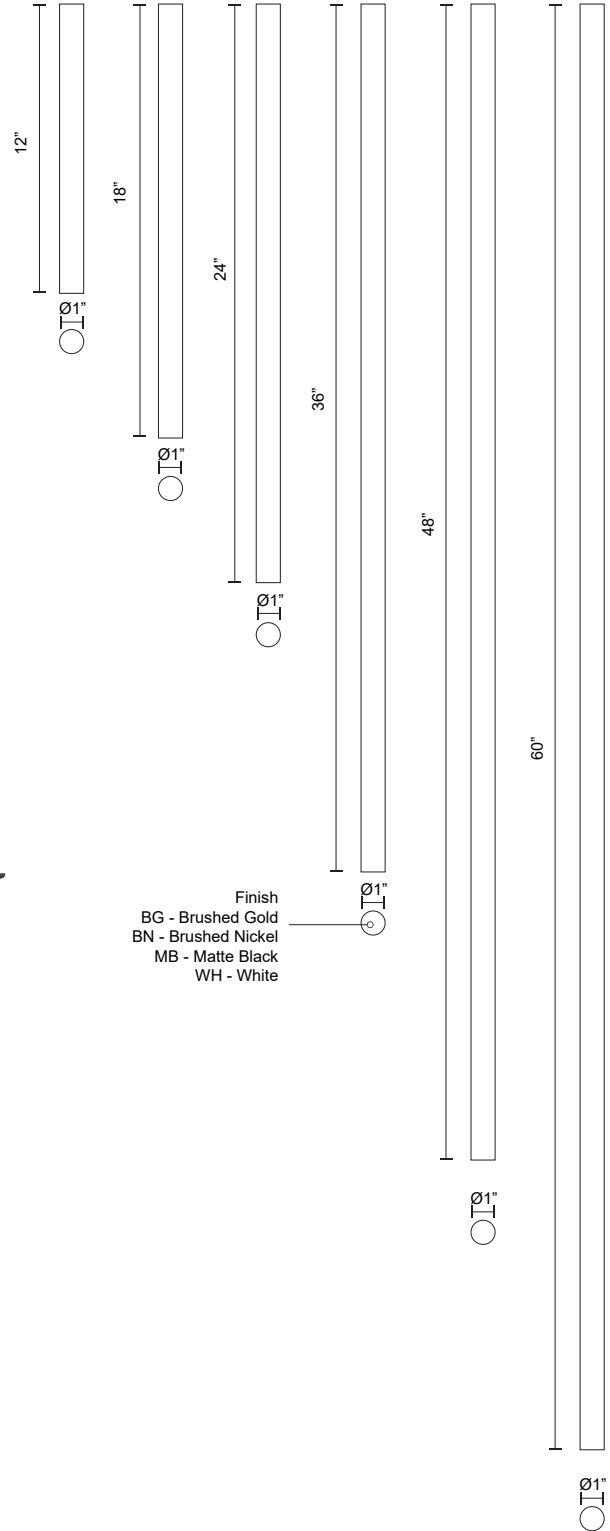
X-RD34-12 FAN
 X-RD34-18 FAN
 X-RD34-24 FAN
 X-RD34-36 FAN
 X-RD34-48 FAN
 X-RD34-60 FAN
 DOWNRODS

DESCRIPTION

Downrod for ceiling fans, available in four finishes. Each rod sold separately.

SPECIFICATION DETAILS

Downrod Dimensions	<ul style="list-style-type: none"> • D1" x H12" • D1" x H18" • D1" x H24" • D1" x H36" • D1" x H48" • D1" x H60"
Location	Damp; Wet (Only CF92952)



SUGGESTED FAN SELECTION TO WORK WITH DOWNROD

X-RD34-12BG FAN X-RD34-18BG FAN X-RD34-24BG FAN X-RD34-36BG FAN X-RD34-48BG FAN X-RD34-60BG FAN	 CF91954-BG/MB Brushed Gold/ Matte Black	 CF91954-BG/WH Brushed Gold/White		
X-RD34-12BN FAN X-RD34-18BN FAN X-RD34-24BN FAN X-RD34-36BN FAN X-RD34-48BN FAN X-RD34-60BN FAN	 CF91954-BN/WH Brushed Nickel/ White	 CF91954-BN/MB Brushed Nickel/ Matte Black		
X-RD34-12MB FAN X-RD34-18MB FAN X-RD34-24MB FAN X-RD34-36MB FAN X-RD34-48MB FAN X-RD34-60MB FAN	 CF90960-MB Matte Black	 CF90955-MB Matte Black	 CF91954-MB Matte Black	 CF92952-MB Matte Black
	 CF77860-MB/NW Matte Black/Natural Oak Wood	 CF77860-MB/DW Matte Black/Dark Walnut	 CF97860-MB/NW Matte Black/Natural Oak Wood	 CF97860-MB/DW Matte Black/Dark Walnut
X-RD34-12WHFAN X-RD34-18WH FAN X-RD34-24WH FAN X-RD34-36WH FAN X-RD34-48WH FAN X-RD34-60WH FAN	 CF90960-WH White	 CF90955-WH White	 CF92952-WH White	



CANADA: 19054 28TH AVENUE - SURREY, BC V3Z 6M3
 USA: 3035 E. LONE MOUNTAIN ROAD - LAS VEGAS, NV 89081

BAYLOR
CF77860

ENERGY GUIDE LABEL

PROJECT

ENERGYGUIDE

Estimated
Yearly Energy Cost

\$6

\$3 | | | **\$34**

Cost Range of Similar Models (19" – 84")

- Based on 12 cents per kWh and 6.4 hours use per day
- **Your cost depends on rates and use**
- Energy Use: 22 Watts

Airflow

4,616

Cubic Feet Per Minute

- The higher the airflow, the more air the fan will move
- Airflow Efficiency: 208 Cubic Feet Per Minute Per Watt

All estimates based on typical use, excluding lights

[ftc.gov/energy](https://www.ftc.gov/energy)

COMMENT

KUZCO

CANADA: 19054 28TH AVENUE - SURREY, BC V3Z 6M3

USA: 3035 E. LONE MOUNTAIN ROAD - LAS VEGAS, NV 89081

[WWW.KUZCOLIGHTING.COM](https://www.kuzcolighting.com)

© 2024 KUZCO LIGHTING. ALL RIGHTS RESERVED.