

# LED Linear Pendant

**LP92636**  
INSTALLATION SHEET

## START FROM HERE

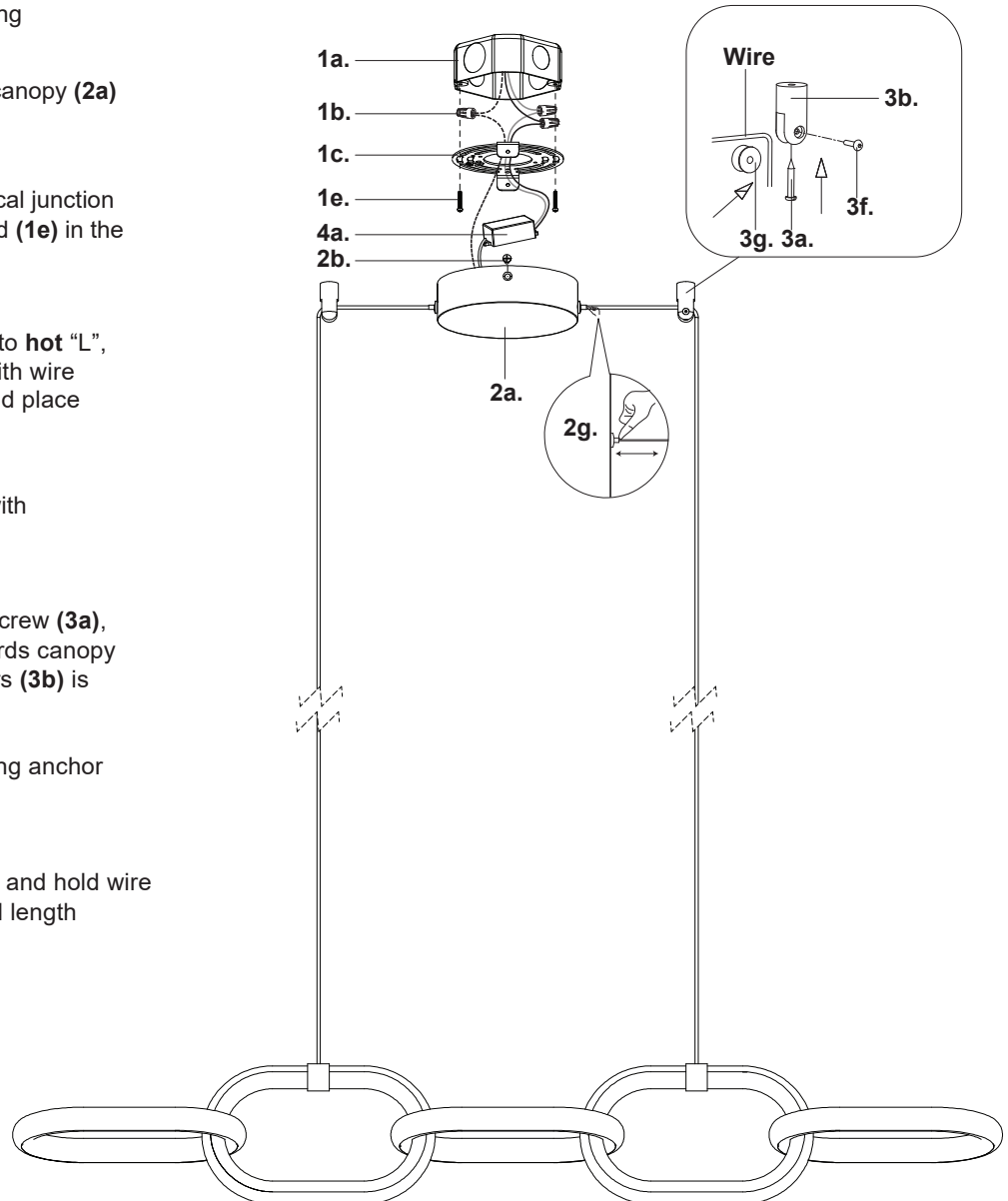
- Make sure **POWER** is **COMPLETELY OFF** at the fuse box
- Have your fixture installed by a qualified licensed electrician
- Prepare everything in a clear area
- Wear gloves at all time during this installation
- Read instructions carefully before you start assembly
- Keep this installation sheet for future reference

**Technical Support:** 1-855-855-8926

## Please Note:

- This Kuzco LED fixture comes with pre-wired LED module(s)
- Unless instructed, Do Not touch any part of the LED module(s) as any unnecessary contact with the module could cause permanent damage
- Use ELV (Electronic Low Voltage) or TRIAC type of dimmer for dimming application
- 120V input

- 1.** Remove the fixture from its original packaging
- 2.** Separate the mounting plate (**1c**) from the canopy (**2a**) by removing the canopy screws (**2b**)
- 3.** Attach the mounting plate (**1c**) to the electrical junction box (**1a**) using junction box screws provided (**1e**) in the hardware package
- 4.** Make proper electrical connections (**black to hot "L"**, **white to neutral "N"**, **ground to "GND"**) with wire nuts (**1b**) provided in hardware package and place driver (**4a**) in canopy (**2a**)
- 5.** Attach canopy (**2a**) to mounting plate (**1c**) with canopy screws (**2b**)
- 6.** Mark and install ceiling anchors (**3b**) with screw (**3a**), opening on ceiling anchor (**3b**) facing towards canopy (**2a**). Ideal distance between ceiling anchors (**3b**) is 13-3/4"
- 7.** Place wire onto pulley (**3g**), insert into ceiling anchor (**3b**) and secure with screw (**3f**)
- 8.** Fine tune wire length if necessary, by push and hold wire gripper (**2g**) and then adjust wire to desired length



KUZCO

19054 28th Avenue Surrey, BC Canada V3Z 6M3  
T: 604 538 7162 TF: 1-855 85 KUZCO F: 604 538 7196  
W: kuzcolighting.com  
20230109