

# LED Multi Pendant

# MP95103

INSTALLATION SHEET

## START FROM HERE

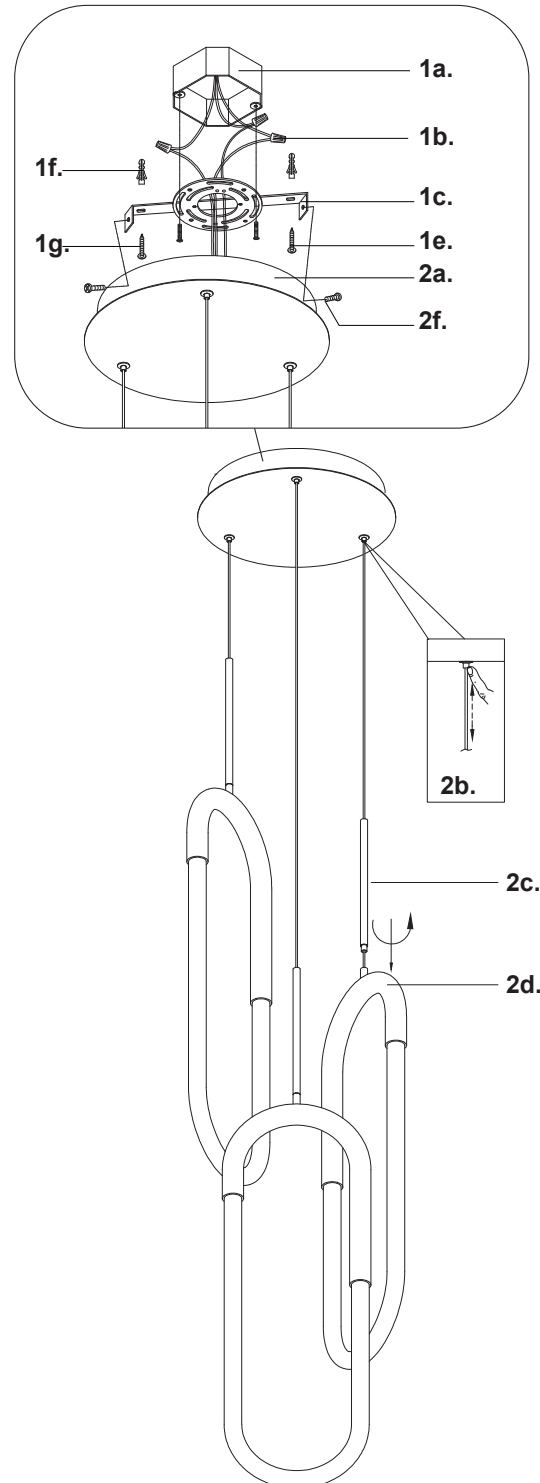
- Make sure **POWER** is **COMPLETELY OFF** at the fuse box
- Have your fixture installed by a qualified licensed electrician
- Prepare everything in a clear area
- Wear gloves at all time during this installation
- Read instructions carefully before you start assembly
- Keep this installation sheet for future reference

**Technical Support:** 1-855-855-8926

### Please Note:

- All Kuzco LED fixture comes with pre-wired LED module(s).
- Unless instructed to do so, please do not touch any part of the LED module(s) as any unnecessary contact with the module could cause permanent damage.
- For dimming, an ELV (Electronic Low Voltage) or TRIAC type of dimmer is required.

- 1.** Remove the fixture from it's original packaging
- 2.** Separate the mounting plate (**1c**) from within the canopy (**2a**) by removing the mounting screws (**2f**)
- 3.** Attach mounting plate (**1c**) to electrical junction box (**1a**) using screws provided (**1e**) in hardware package
- 4.** To change fixture height, push and hold wire gripper (**2b**), slide wire to desired length and then release wire gripper (**2b**) to secure (Remove excess wire if necessary)
- 5.** Secure mounting plate (**1c**) to mounting surface with anchors (**1f**) and screws (**1g**)
- 6.** Make proper electrical connections (black to hot "L", white to neutral "N", ground to "GND") with wire nuts (**1b**) provided in hardware package
- 7.** Secure canopy (**2a**) to mounting plate (**1c**) with mounting screws (**2f**)
- 8.** Connect fixture (**2d**) to fixture hub (**2c**)
- 9.** Fine tune wire length if necessary, by push and hold wire gripper (**2b**) and then adjust wire to desired length



# KUZCO

19054 28th Avenue Surrey, BC Canada V3Z 6M3  
T: 604 538 7162 TF: 1-855 85 KUZCO F: 604 538 7196  
W: kuzcolighting.com  
20200629