

GREGORY 41073

PENDANTS

PROJECT



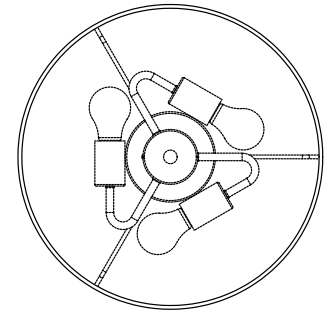
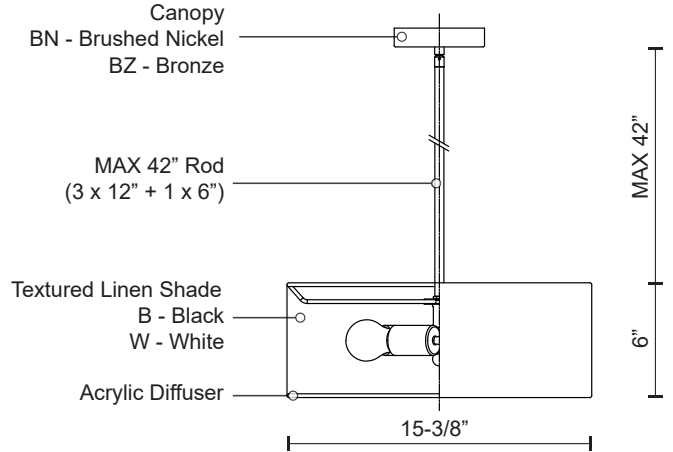
41073B
Black



41073W
White

DESCRIPTION

Three lamp pendant with a round drum shape textured linen shade in your choice of two colors, acrylic bottom diffuser.



SPECIFICATION DETAILS

* For custom options, consult factory for details.

Fixture Dimensions	D15-3/8" x H6"
Lamp Type	Incandescent, A19, Medium Base
Bulbs Included	No
Wattage	3 x 60W
Voltage	120V
Diffuser Details	White Acrylic Diffuser
Shade Details	Textured Linen Shade
Adjustable	Yes
Rod Length	42" Max (3x12" + 1x6")
Location	Dry
Warranty	5 Years
Product Adaptor	ADP002BN, Sold Separately
Canopy Dimensions	D4-3/4" x H3/4"

COMMENT

KUZCO

19054 28TH AVENUE
SURREY - BC V3Z 6M3
CANADA

WWW.KUZCOLIGHTING.COM

