

LED Table Lamp

TL70124
INSTALLATION SHEET

START FROM HERE

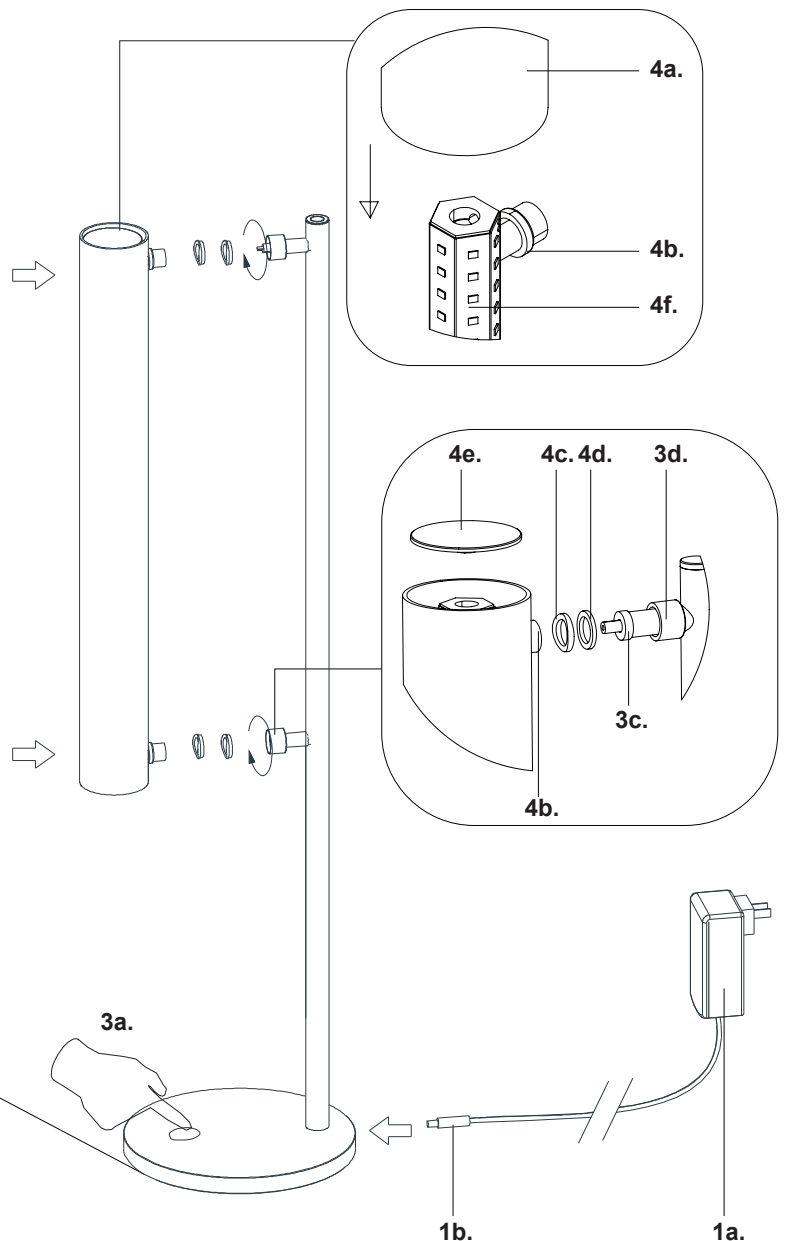
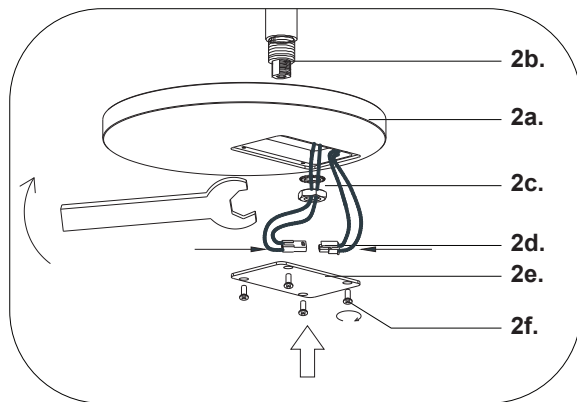
- Prepare everything in a clear area
- Wear gloves at all time during this installation
- Read instructions carefully before you start assembly
- Keep this installation sheet for future reference

Technical Support: 1-855-855-8926

Please Note:

- This Kuzco LED fixtures come with pre-wired LED module(s)
- Unless instructed, Do Not touch any part of the LED module(s) as any unnecessary contact with the module could cause permanent damage
- Touch Dimmer

- 1.** Remove the fixture from it's original packaging
- 2.** Gently slide LED assembly (**4f**) into glass tube (**4a**) until connector receptacles (**4b**) can be exposed through on glass, secure by installing end caps (**4e**)
- 3.** Insert rubber wave washer (**4c**), followed by flat washer (**4d**) onto each connector receptacle (**4b**) post, and then insert coaxial connector (**3c**) to make electrical connection, secure with threaded cap (**3d**)
- 4.** Separate base cover (**2e**) from base (**2a**) by removing screws (**2f**) with screw driver
- 5.** Insert rod (**2b**) through hole on base (**2a**) and secure with washer and nut (**2c**). Connect wires together (**2d**) and secure the base plate (**2e**) to the base with screws (**2f**)
- 6.** Insert driver connector (**1b**) to base (**2a**)
- 7.** Plug driver (**1a**) into outlet
- 8.** Use hand to activate dimmer (**3a**). Touch and hold to dim, touch to turn on/off.



KUZCO

19054 28th Avenue Surrey, BC Canada V3Z 6M3
T: 604 538 7162 TF: 1-855 85 KUZCO F: 604 538 7196
W: kuzcolighting.com
20200730