

LED Linear Pendant

LP50851
INSTALLATION SHEET

START FROM HERE

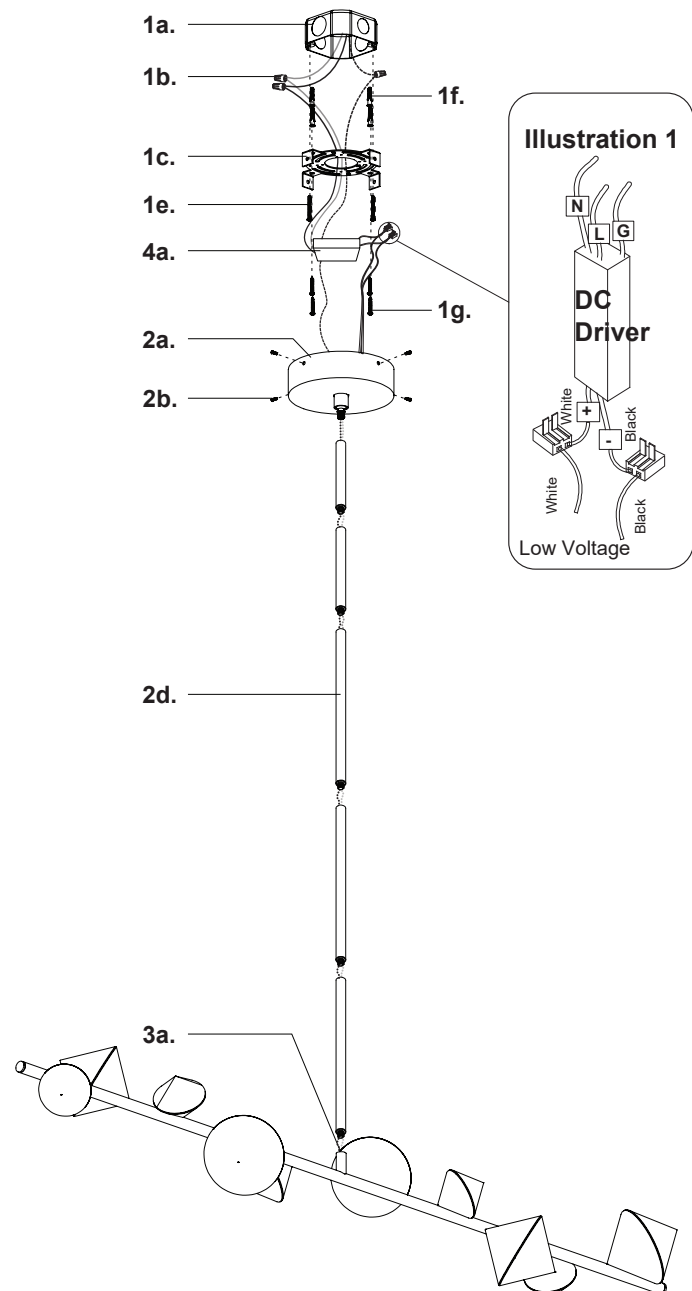
- Make sure **POWER** is **COMPLETELY OFF** at the fuse box
- Have your fixture installed by a qualified licensed electrician
- Prepare everything in a clear area
- Wear gloves at all time during this installation
- Read instructions carefully before you start assembly
- Keep this installation sheet for future reference

Please Note:

- This Kuzco LED fixture comes with pre-wired LED module(s)
- Unless instructed, Do Not touch any part of the LED module(s) as any unnecessary contact with the module could cause permanent damage
- For dimming, an ELV (Electronic Low Voltage) or TRIAC type of dimmer is required
- 120V input

Technical Support: 1-855-855-8926

1. Remove fixture from its original package
2. Separate mounting plate (1c) from canopy (2a) by removing canopy screws (2b)
3. Attach mounting plate (1c) to electrical junction box (1a) using junction box screws (1e) provided in hardware package
4. Secure mounting plate (1c) to mounting surface with anchors (1f) and screws (1g)
5. Determine hanging height of fixture by securing rods (2d) to canopy (2a) and fixture body (3a) after feeding fixture wires (LED+ and LED-) through rods
6. Make proper electrical connections between LED and DC driver, LED- Negative (black), LED+ Positive (White) using quick connector provided (See Illustration 1 and refer to diagram on driver)
7. Make proper electrical connections (black to hot "L", white to neutral "N", ground to "GND") with wire nuts (1b) provided in hardware package and place driver (4a) inside canopy (2a)
8. Attach canopy (2a) to mounting plate (1c) with canopy screws (2b)



KUZCO

19054 28th Avenue Surrey, BC Canada V3Z 6M3
T: 604 538 7162 TF: 1-855 85 KUZCO F: 604 538 7196
W: kuzcolighting.com
20210526