

DUNE
VL19931
VANITY

PROJECT

DESCRIPTION

Multiple spun aluminum cones are connected inline and direct light downwards from the geometric linear pendant. The Dune series utilizes classic minimalist lamp shapes yet in reduced scale to elegant effect. The LED spot sources are focused by diminutive reflectors housed within the exquisitely turned shades. Available in multiple configurations and finishes.



VL19931-BN
Brushed Nickel

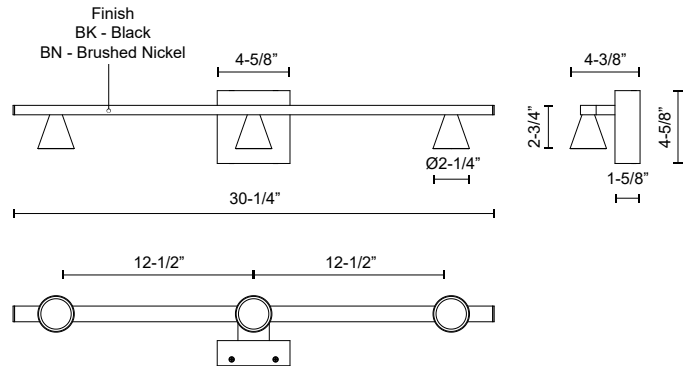


VL19931-BK
Black

SPECIFICATION DETAILS

* For custom options, consult factory for details.

Fixture Dimensions	W30-1/4" x H2-3/4" x E4-3/8"
Light Source	LED with DC Driver
Wattage	15W
Total Lumens	1425lm
Delivered Lumens	BK-1375lm*
Voltage	120V
Color Temperature	3000K
CRI (Ra)	90CRI
Optional Color Temps	2700K - 5000K Available, Minimum Order Quantities Apply
LED Rated Life	50,000 hours
Dimming	100% - 10%, TRIAC or ELV Dimmer (Not Included)
Diffuser Details	Parabolic Metalized PC Reflector + Clear Lens
Shade Details	Spun Aluminum Shade
Location	Damp
Mounting Style	All Orientation; Wall;
Warranty	5 Years
Canopy Dimensions	W4-5/8" x H4-5/8" x E1-5/8"



KUZCO

19054 28TH AVENUE
SURREY - BC V3Z 6M3
CANADA

WWW.KUZCOLIGHTING.COM

COMMENT

