

LED Semi Flush Mount

SF15102
INSTALLATION SHEET

START FROM HERE

- Make sure **POWER** is **COMPLETELY OFF** at the fuse box
- Have your fixture installed by a qualified licensed electrician
- Prepare everything in a clear area
- Wear gloves at all time during this installation
- Read instructions carefully before you start assembly
- Keep this installation sheet for future reference

Technical Support: 1-855-855-8926

Please Note:

- This Kuzco LED fixtures come with pre-wired LED module(s)
- Unless instructed, Do Not touch any part of the LED module(s) as any unnecessary contact with the module could cause permanent damage

- 1.** Remove fixture from its original package
- 2.** Remove mounting plate (1c) from canopy (2a)
- 3.** Make proper electrical connections (black to hot "L", white to neutral "N", ground to "GND") with wire nuts (1b) provided in hardware package
- 4.** Place driver (1f) inside junction box (1a) and attach mounting plate (1c) to electrical junction box (1a) using screws provided (1e) in hardware package.

(**Illustration 1 Note**): use the alignment indicator as reference to adjust the mounting plate position to align the lamp head

- 5.** Align mounting pins (1d) with spring clips (2c) on mounting plate (1c) and twist to secure

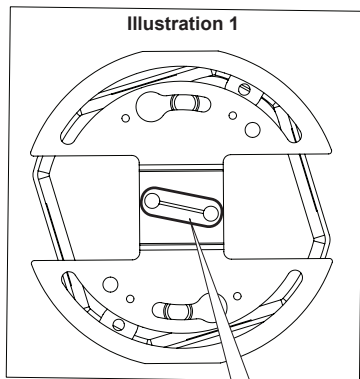
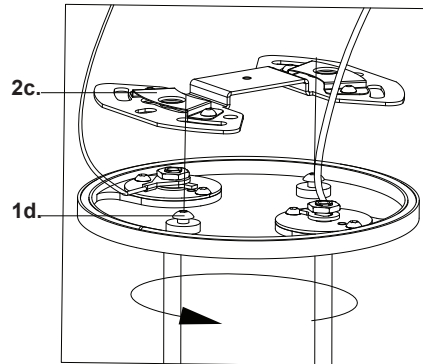
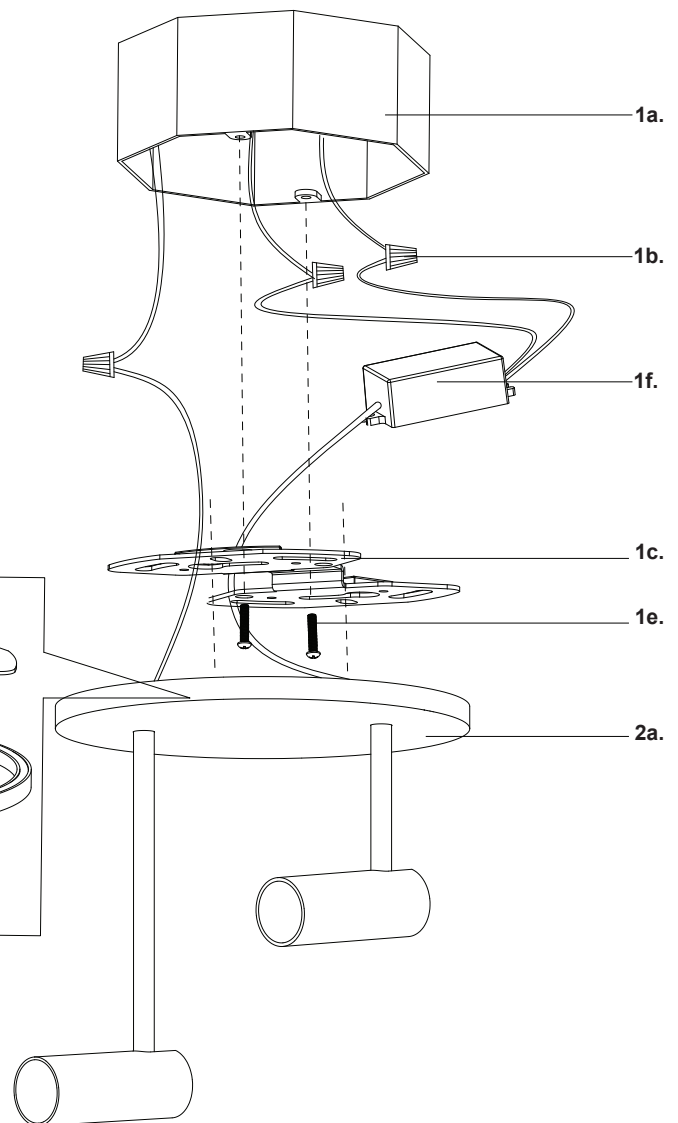


Illustration 1



Alignment Indicator



KUZCO

19054 28th Avenue Surrey, BC Canada V3Z 6M3
T: 604 538 7162 TF: 1-855 85 KUZCO F: 604 538 7196
W: kuzcolighting.com
20191118