

# Ceiling LED Pendant

**PD46216**  
INSTALLATION SHEET

## START FROM HERE

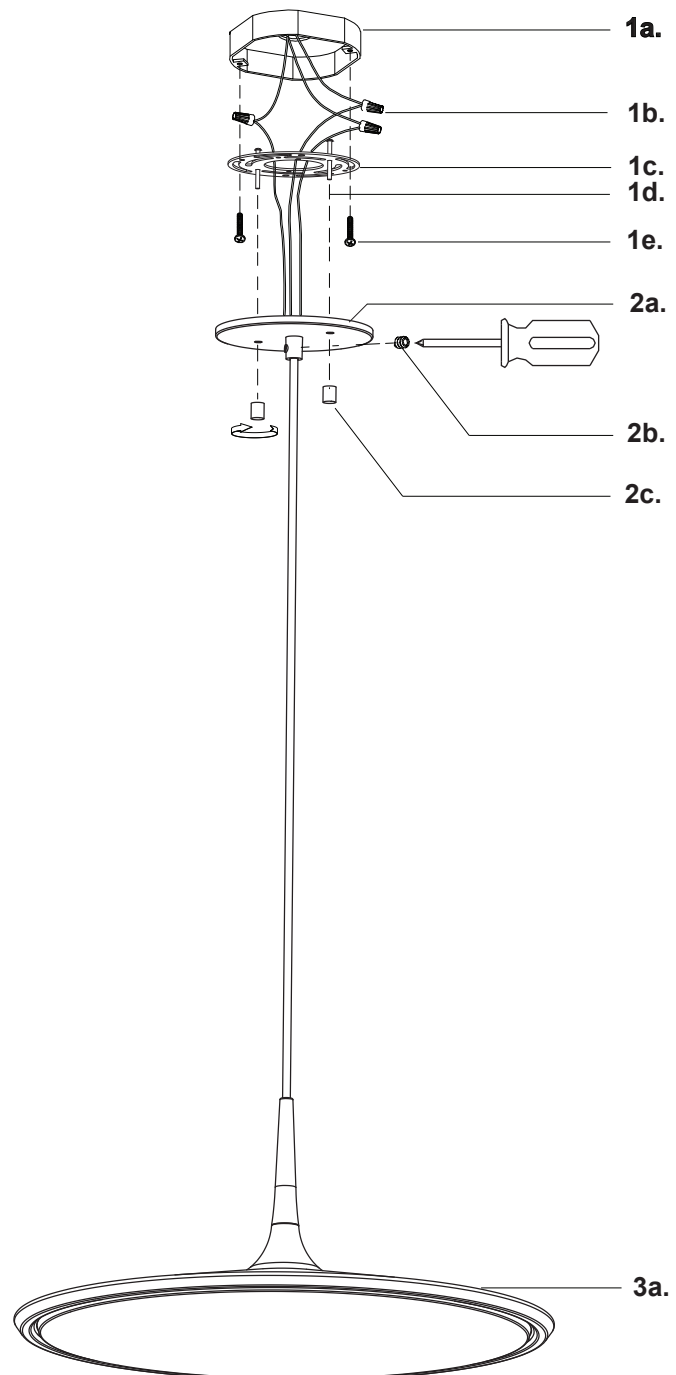
- Make sure **POWER** is **COMPLETELY OFF** at the fuse box
- Have your fixture installed by a qualified licensed electrician
- Prepare everything in a clear area
- Wear gloves at all time during this installation
- Read instructions carefully before you start assembly
- Keep this installation sheet for future reference

**Technical Support:** 1-855-855-8926

### Please Note:

- For dimming, an ELV (Electronic Low Voltage) or a TRIAC type of dimmer is required.

- 1.** Remove the fixture from its original packaging. Next, remove the mounting plate (**1c**) from within the canopy (**2a**) by un-threading the two nuts (**2c**). Secure the mounting plate (**1c**) to the junction box (**1a**) with screws (**1e**) provided in the hardware package.
- 2.** Before you mount the canopy to the mounting plate select the desired length you wish the pendant (**3a**) to hang. To shorten or lengthen the pendant, loosen the screw (**2b**) until the wire can move freely. You can now push/pull the wire to lengthen or shorten the pendant (**3a**). When you have selected the desired length, tighten the screw (**2b**).
- 3.** You are now ready to mount the canopy. First, connect all wires correctly black to black "L", white to white "N" and the ground wire with provided marettes (**1b**) from the hardware package. Align the threaded studs (**1d**) with the holes on the surface of the canopy (**2a**). Next, push the canopy (**2a**) to the mounting plate (**1c**) thread on the two nuts (**2c**) on to the threaded studs (**1d**). This will secure the canopy to the mounting plate.
- 4.** You have now completed the installation of your fixture, enjoy.



KUZCO

19054 28th Avenue Surrey, BC Canada V3Z 6M3  
T: 604 538 7162 TF: 1-855 85 KUZCO F: 604 538 7196  
W: kuzcolighting.com  
20181127