

# Single lamp LED pendant.

# PD7916/PD7920 INSTALLATION SHEET

Please Note:

- All Kuzco LED fixtures come with pre-wired LED module(s).
- Unless instructed to do so, please do not touch any part of the LED module(s) as any unnecessary contact with the module could cause permanent damage.
- For dimming, an ELV (Electronic Low Voltage) dimmer is required.

## START FROM HERE

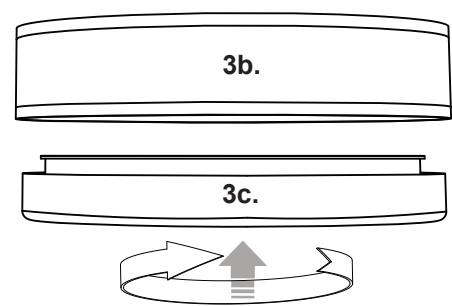
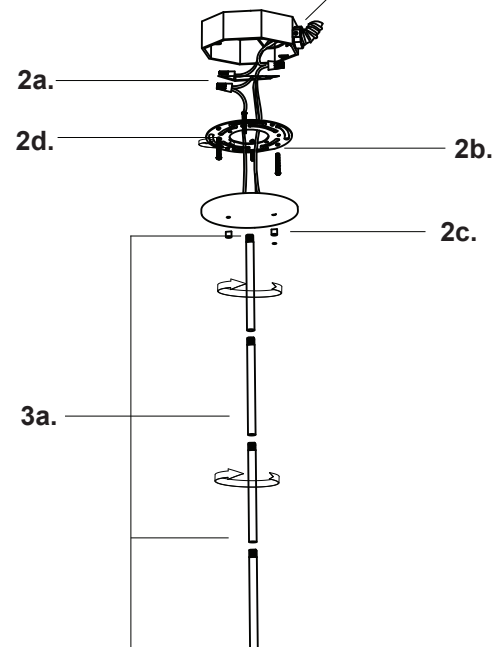
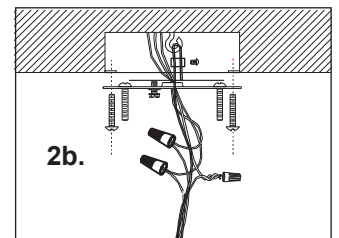
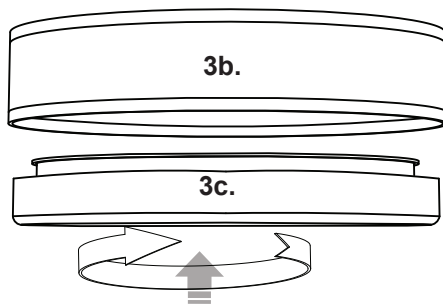
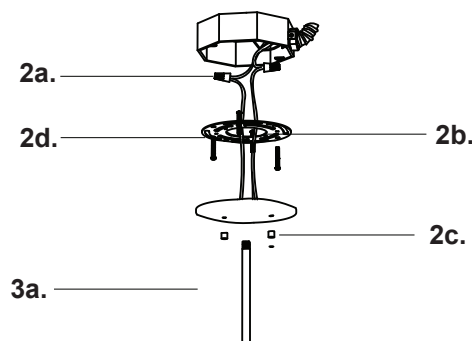
- Make sure power is completely off at the fuse box.
  - Have your fixture installed by a qualified licensed electrician
  - Prepare everything in clear area.
  - Wear gloves at all times during this installation.
  - Read instructions carefully before you start assembly.
  - Keep this instruction sheet for future reference.
- Technical Support:** 1-855-855-8926

**1.** Remove the fixture from its original packaging and remove the fixture mounting plate from within the hardware package.

**2.** Pending on your desired length, thread one or all four conduit pipes (3a) turning clockwise. Next, attach the mounting plate (2b) to the ceiling junction box. Second, thread the wiring (2a) up through the metal conduit pipes and connect with the provided marrets (white to white "N", black to black "L", ground to ground "G"). Once this is complete you can thread on the decorative nuts (2c) to the two studs (2d) until the fixture decorative plate is secured to the ceiling.

**3.** Second, thread the conduit to both the canopy and fixture (3c). Third step is to install the glass diffusers (3b) onto the fixture (3b). With one hand, push the glass diffusers up against the fixture and turn clockwise until firmly secure.

**4.** You have now completed the installation of your fixture, enjoy.



# KUZCO

19054 28th Avenue Surrey, BC Canada V3Z 6M3  
T: 604 538 7162 TF: 1-855 85 KUZCO F: 604 538 7196  
W: kuzcolighting.com  
20181127