

Ceiling LED Flush Mount

FM7916 (Organza)

INSTALLATION SHEET

START FROM HERE

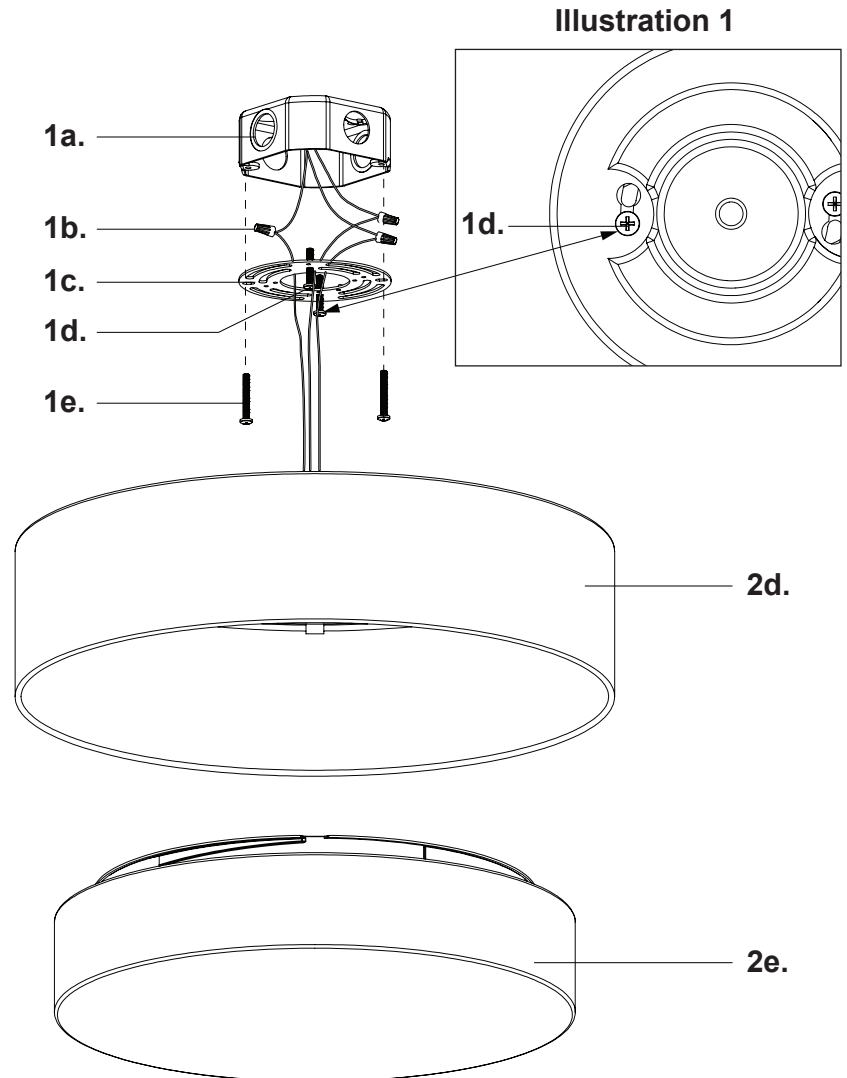
- Make sure **POWER** is **COMPLETELY OFF** at the fuse box
- Have your fixture installed by a qualified licensed electrician
- Prepare everything in a clear area
- Wear gloves at all times during this installation
- Read instructions carefully before you start assembly
- Keep this installation sheet for future reference

Technical Support: 1-855-855-8926

Please Note:

- This Kuzco LED fixture comes with pre-wired LED module(s)
- Unless instructed, Do Not touch any part of the LED module(s) as any unnecessary contact with the module could cause permanent damage
- For dimming, an ELV (Electronic Low Voltage) type of dimmer is required
- Organza shade only

1. Remove fixture from its original package
2. Attach mounting plate (1c) to electrical junction box (1a) using screws provided (1e) in hardware package
3. Make proper electrical connections (black to hot "L", white to neutral "N", ground to "GND") with wire nuts (1b)
4. Slide mounting screws (1d) through key hole on back of fixture (2d), slightly rotate fixture (2d) clock-wise, and then secure mounting screws (1d) with screw driver (See Illustration 1)
5. Install the shade cover (2e) by placing it onto the metal pan on the underside of the fixture (2d) and turn clockwise until secure (do not over tighten)



KUZCO

19054 28th Avenue Surrey, BC Canada V3Z 6M3
T: 604 538 7162 TF: 1-855 85 KUZCO F: 604 538 7196
W: kuzcolighting.com
20201208