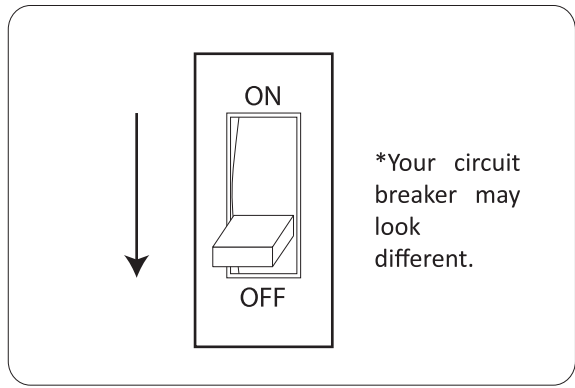




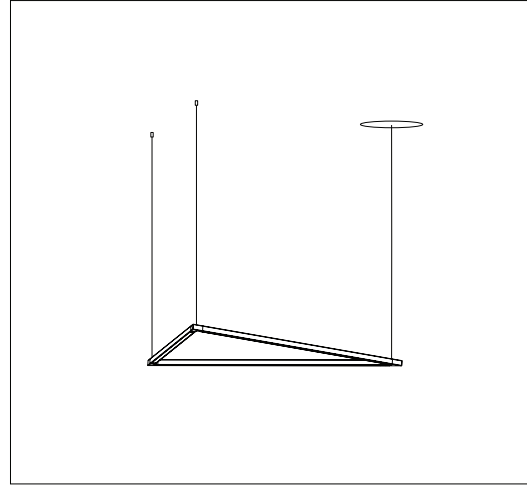
Remote transformer installation



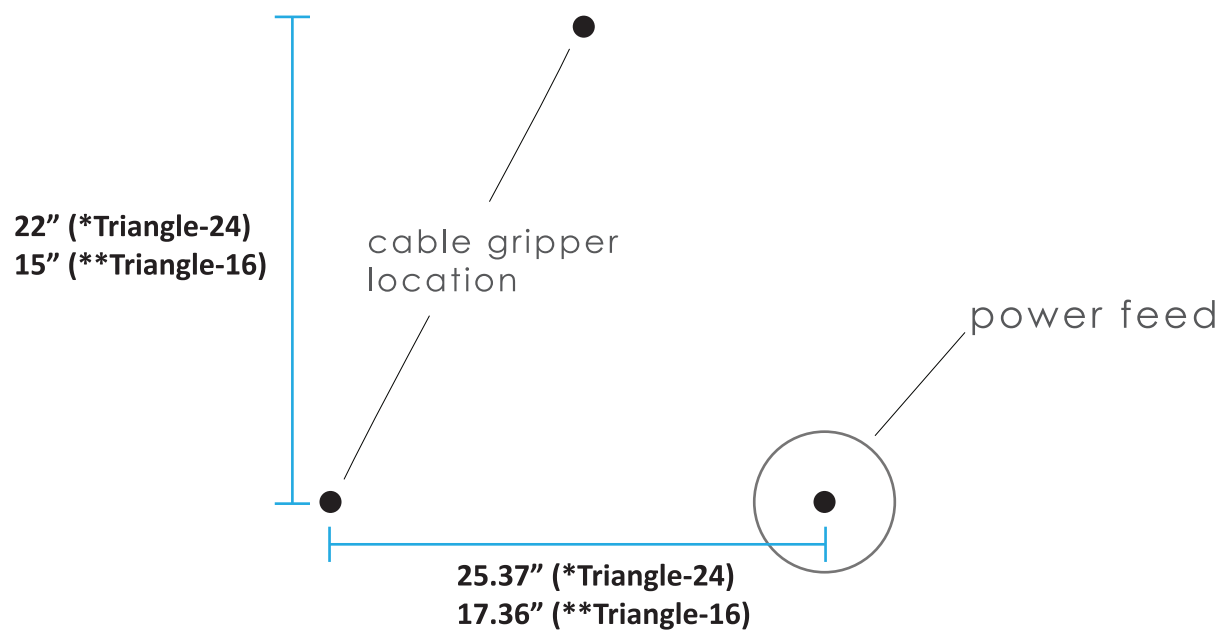
**Shock Hazard.** Electric shock could result in serious injury or death. Make sure circuit breaker is set to OFF before installation. Must be installed by a qualified electrician.

Before installing the pendant light, map out the installation points on the ceiling according to the measurements shown below. The Z-BAR pendant light will be hung vertically from these 4 points.

Please note that Triangle-24 and Triangle-16 fixtures have different dimensions.



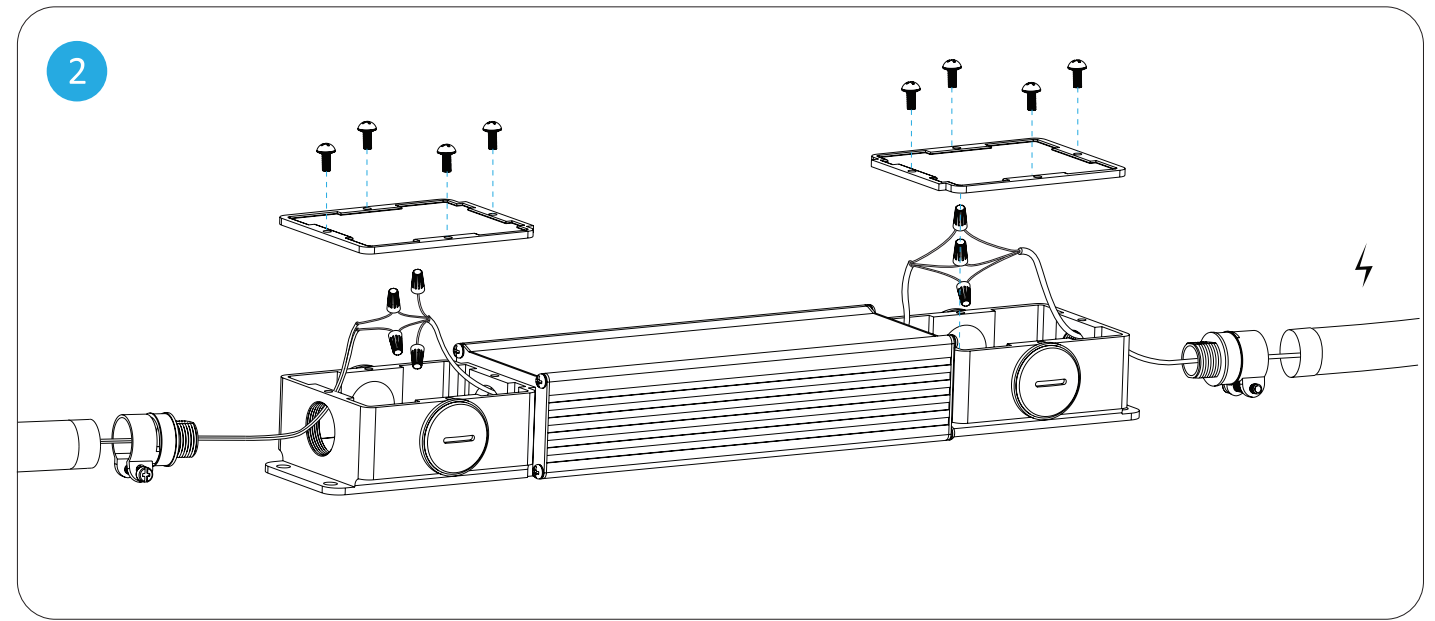
1 BOTTOM VIEW OF CEILING



\* measurements for Triangle-24 fixture  
\*\* measurements for Triangle-16 fixture

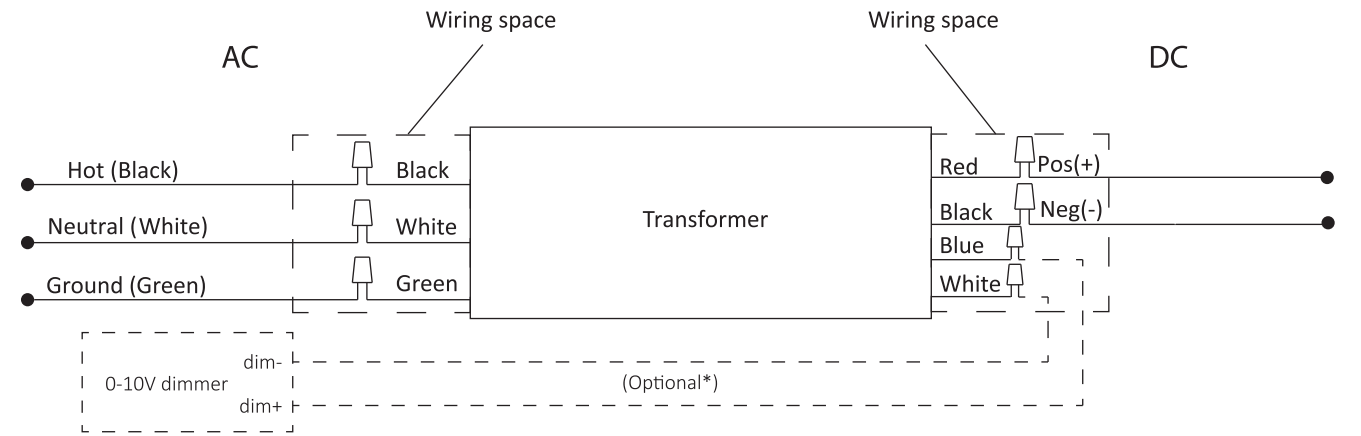


Remote transformer installation

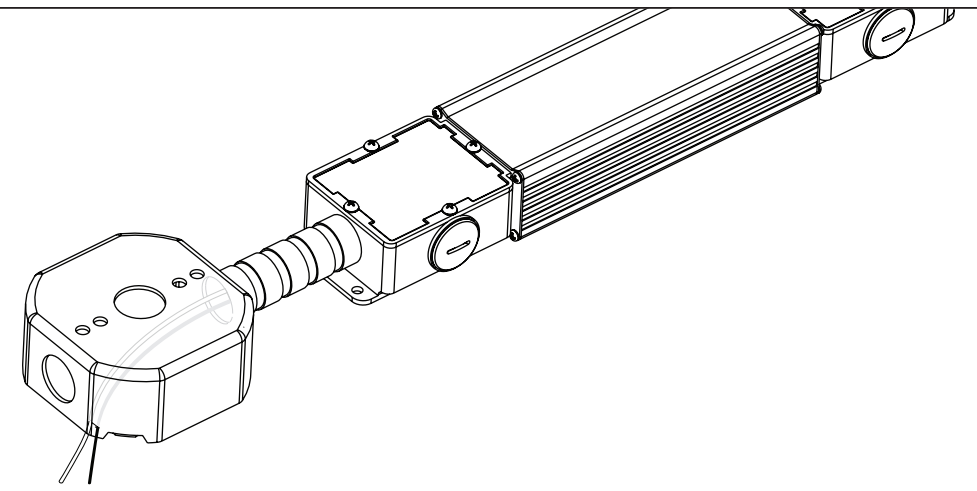


Using the provided DC cable & connectors, connect the wires inside the transformer enclosure as illustrated in the Wiring Diagram below. A transformer needs to be installed for every location marked with the symbol Ⓝ

WIRING DIAGRAM



3



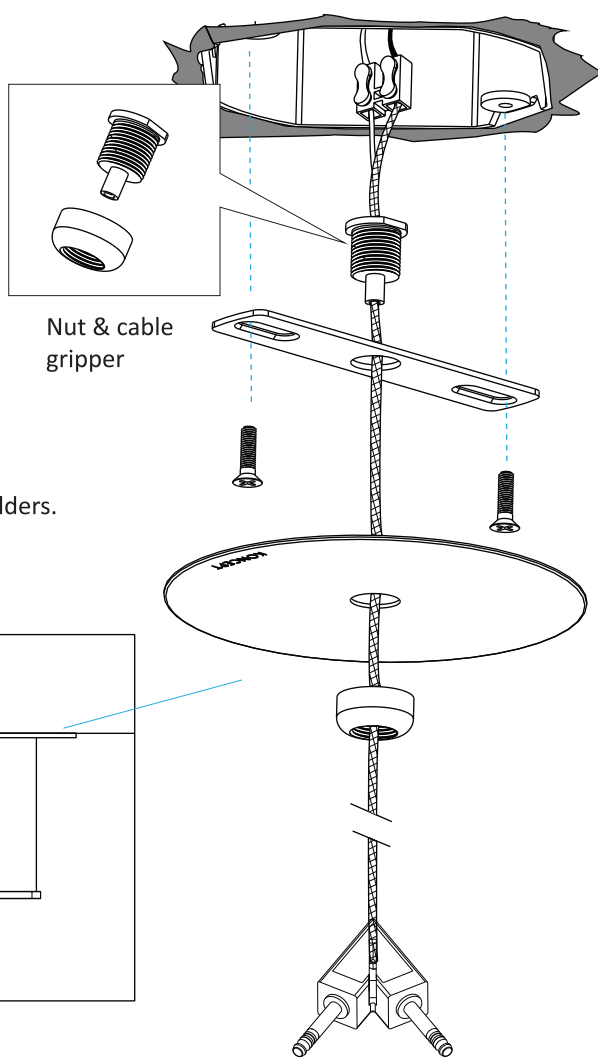
Feed the Red and Black DC wires through the conduit into the junction box (conduit and junction box not provided). Affix the transformer enclosure and junction box properly inside the ceiling, with an opening allowing access to the junction box.



Remote transformer installation

4

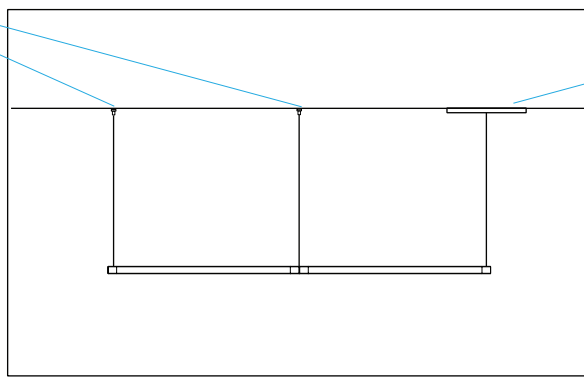
Install the joint with the power cord first. Using the nut & cable gripper, feed the DC power cord from the joint in the container labeled ⚡ through the provided nut, then through the face plate, then through the rectangular metal holder and then through the provided cable gripper as shown. Connect the DC wires to the DC terminal. Pull the core wire out and connect it to the red DC wire using the provided wire terminal. Twist the skin of the wire and connect it to the black DC wire through the terminal.



Affix the rectangular metal holder with the two provided screws to the junction box, then install the cover plate by tightening the nut to the cable gripper.

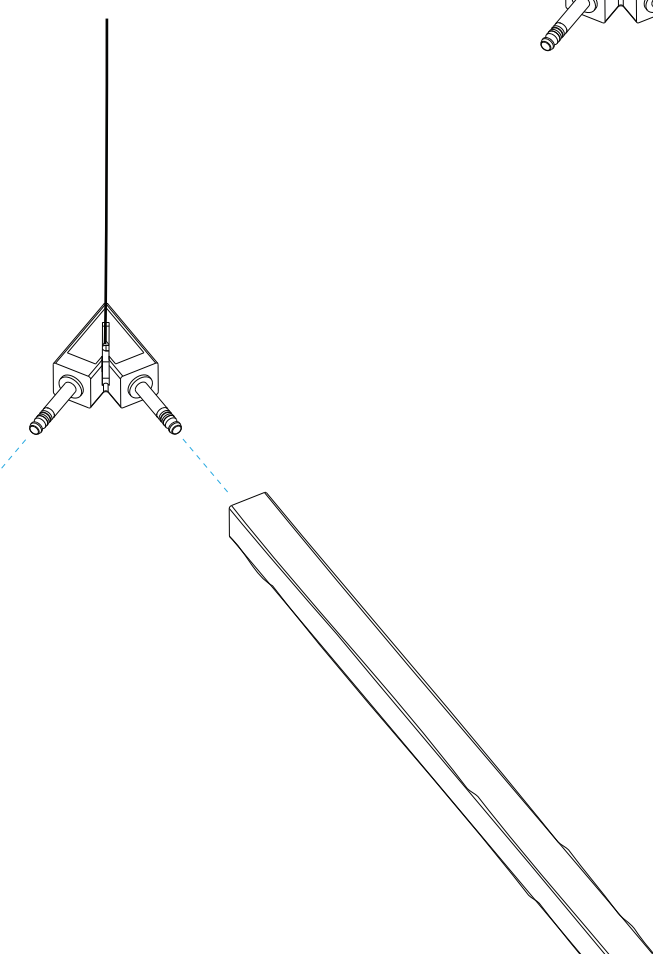
To install the cable grippers, affix the holders to the locations marked on the ceiling from step #1 with screws, then screw the cable grippers into the holders.

SIDE VIEW



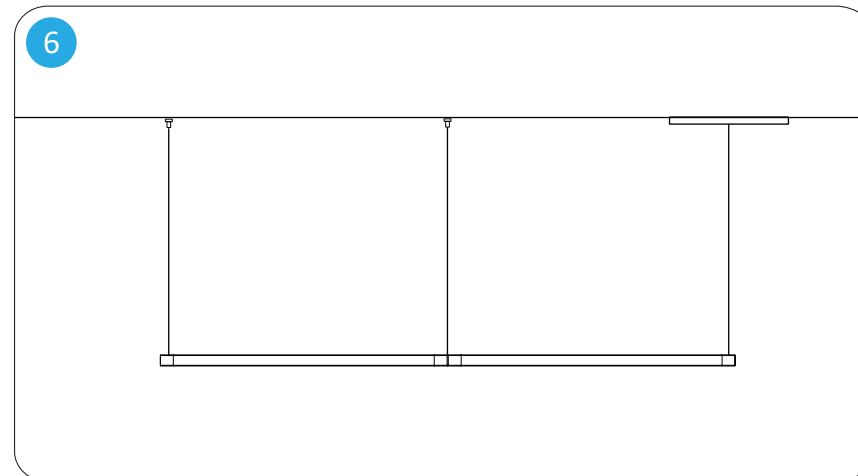
5

Attach the LED light bars to the joints making sure they are fully inserted with no gaps between the light bars and the joints. Ensure every joint is positioned so that its center opening is always facing inward, and not upward, downward or outward of the entire fixture.



Remote transformer installation

6



All wires should be of equal length.

Wires can be released and re-adjusted by pressing the cable grippers' "nozzle".

Five Year Limited Product Warranty

Koncept warrants to the original purchaser of this product against manufacturer defects in design, assembly, material, or workmanship, and will, at Koncept's option, replace or repair any defective product free of charge. This coverage is valid for five years from the date of purchase as long as the original purchaser owns the product. Koncept will replace or repair the product, which Koncept, at its sole discretion, agrees is defective, free of charge provided that the following conditions for a return are fulfilled. This warranty does not apply to any product damaged by accident, physical or electrical misuse or abuse, improper installation, alteration, any use contrary to its intended function, war, fire, flood, or any other acts of nature, or unauthorized repair.

Koncept assumes no liability for any events such as fires arising out of the use of this product or any consequential damages caused by any failure of the product to function properly. Under no circumstances should this warranty or the product covered by it be construed as an insurance policy against loss of any kind. Koncept staff neither assumes nor authorizes any person or organization to make any warranties or assume any liability in connection with the sale or use of this product. This warranty covers only products used in the 50 US states and/or Canada. This is the complete ZBP warranty and no other warranty exists. Some jurisdictions may not allow limitations on how long an implied warranty lasts, or the exclusion or limitation of incidental or consequential damages, so the above exclusions or limitations may not apply to you. This warranty gives you specific legal rights, and you may also have other rights which vary in different states and countries.

To file a replacement/repair claim under the warranty:

- 1) Contact Koncept for a return authorization number during the warranty period. A claim will not be accepted without a return authorization number.
- 2) Make a copy of the original purchase receipt with purchase date and product name clearly shown.
- 3) Provide original purchaser's full name, email address (optional), daytime phone, and postal address.
- 4) Return the defective product to Koncept freight prepaid and accompanied by (1), (2), and (3) to the following address:  
Limited Product Warranty  
Koncept Inc. 429 E. Huntington Drive, Monrovia, CA 91016

Warnings

- Warning: To reduce the risk of fire, electric shock or injury:**
  - Do not use in wet locations
  - Do not handle plug or appliance with wet hands
  - Do not stare directly at LEDs
- Overheating may result in reduced LED lifespan:**
  - Keep out of direct sunlight.
  - Remove plastic bag from lamp before use.
  - Recommended ambient temperature: under 77 °F.

Specifications

Model	ZBP-24-T	ZBP-16-T
Light Color	Soft Warm	
Color Temperature	3000 K	
Brightness Adjustability	Compatible w/ELV or LED dimmers	
Length of each section	24 inches	16 inches
Input voltage (standard canopy)	120V only	
Input voltage (remote transformer)	100V - 240V 277V (for North America only)	

Register your Koncept LED lamp online and receive:

- One Year Warranty Extension
  - Priority Product Servicing
- Visit [www.koncept.com/productsupport](http://www.koncept.com/productsupport) and enter your serial number (S/N: XXXXXXXX) located on your product.

Koncept Inc.  
429 E. Huntington Drive  
Monrovia, CA 91016, USA  
Phone: 323-261-8999  
Fax: 323-261-8998

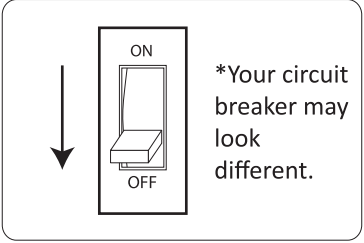
Customer Support:  
support@koncept.com

Web Address:  
[www.koncept.com](http://www.koncept.com)



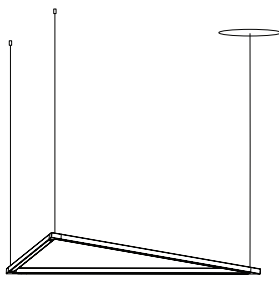
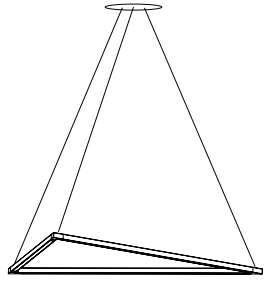


Canopy installation



**Shock Hazard.** Electric shock could result in serious injury or death. Make sure circuit breaker is set to OFF before installation. Must be installed by a qualified electrician.

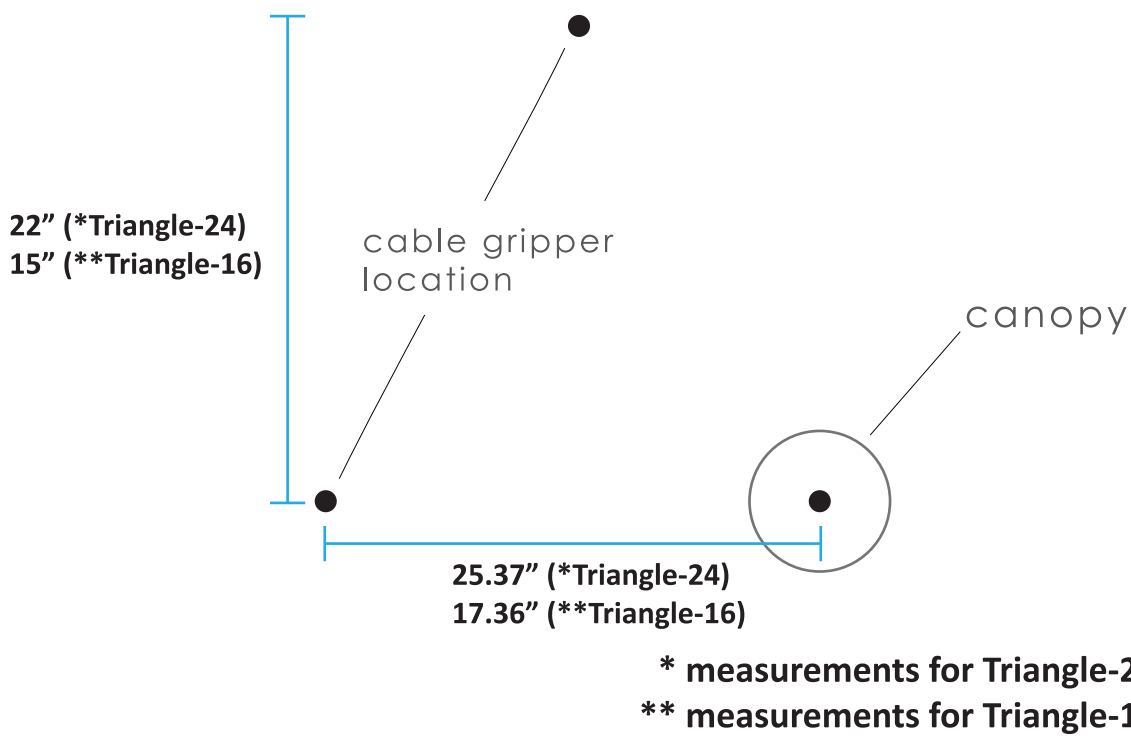
1 Monopoint installation      Multipoint installation



There are two ways to mount the Z-Bar pendant triangle, a monopoint installation or a multipoint installation. For monopoint installation, proceed to step 2. For multipoint, see below.

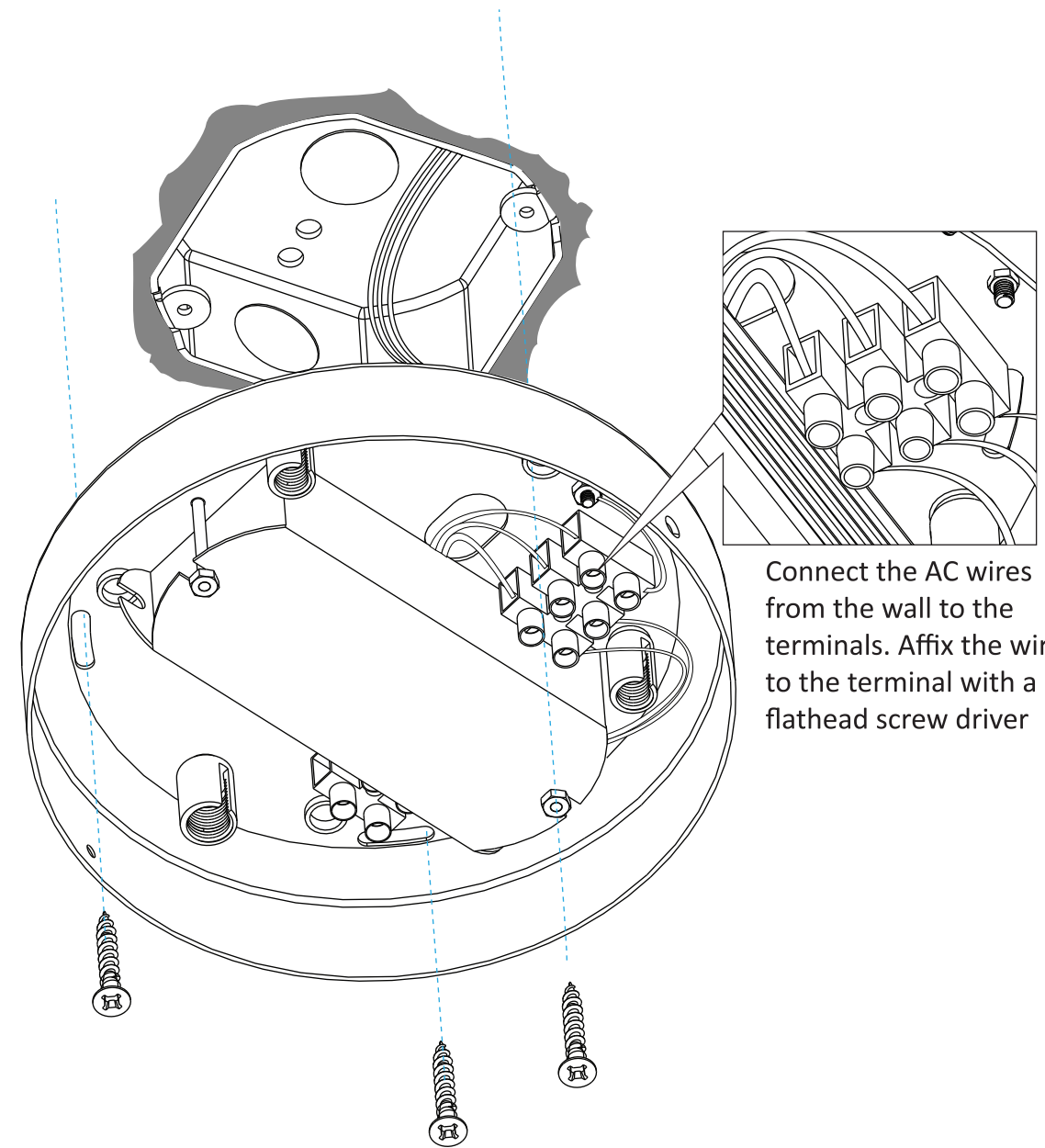
**Multipoint Installation :** Before installing the pendant light, locate the installation points on the ceiling for the wire hangers, according to the distance away from the junction box/canopy listed on the diagram below. The Z-BAR pendant light should be hung vertically off the 4 points shown on the map below.

BOTTOM VIEW OF CEILING (for Multipoint Installation)



Canopy installation

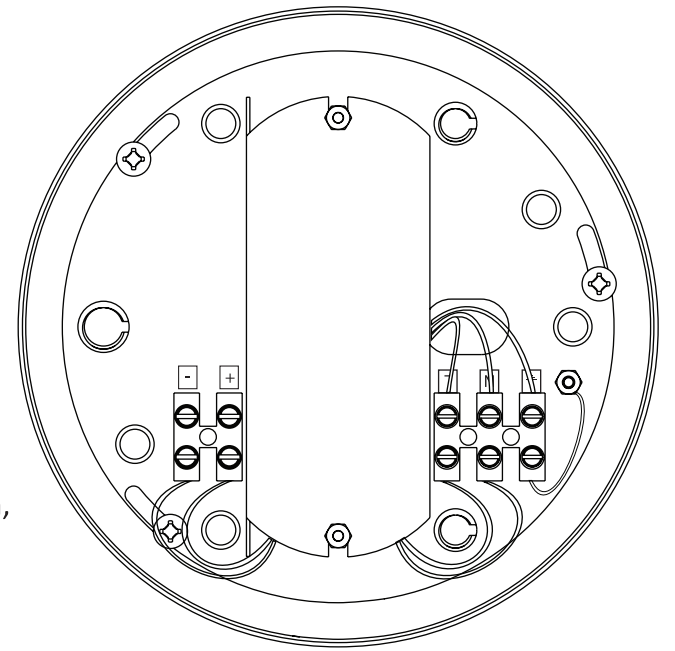
2



Connect the AC wires from the wall to the terminals. Affix the wires to the terminal with a flathead screw driver

Feed the AC power cord from the junction box through the hole as shown in the figure on the right then connect the AC wires to the terminals. Use a flathead screw driver to tighten the screws in the terminal to affix the wires. Secure the canopy to the ceiling with 3 provided screws, make sure the canopy is centered to the junction box and fully covering the junction box.

BOTTOM VIEW



For Monopoint installation, please move on to 3a

For Multipoint installation, please move on to 3b



Canopy installation (Monopoint)

3a

Use the provided strings to hang the cover plate from the canopy during installation

Install the joint with power cord first: Feed the DC power cord, from the joint in the container labeled ⚡, through the face plate slot as shown below, then through the provided cable gripper in the bag labeled "a".

Connect the DC wires to the DC terminal. Affix the wires to the terminal with a flathead screw driver.

Cable gripper is in the bag labeled "a".

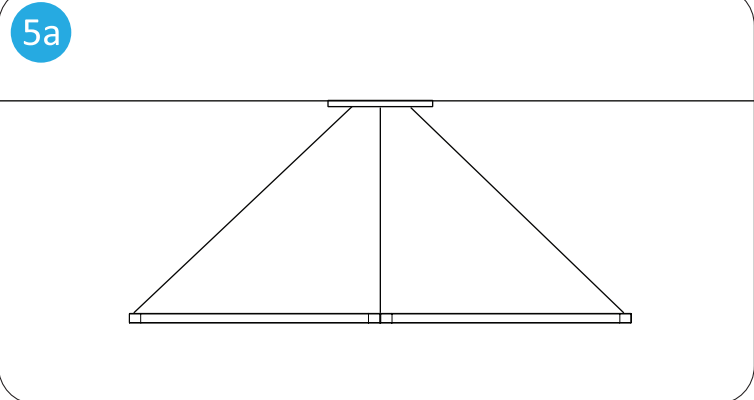
Feed power through this slot

Then, install the rest of the 3 joints: feed the cables through the assembly as shown. Lastly, tighten all cable grippers to their respective holders.

Do not affix the cover plate yet.

4a

Attach LED light bars to the joints and make sure they are fully inserted with no gaps. Ensure each joint is positioned so that the joint's center opening is always facing **inward**, and not upward, downward or outward of the entire fixture.



All wires should be of equal length.

Wires can be released and re-adjusted by pressing the cable grippers' "nozzle".



Canopy installation (Multipoint)

3b

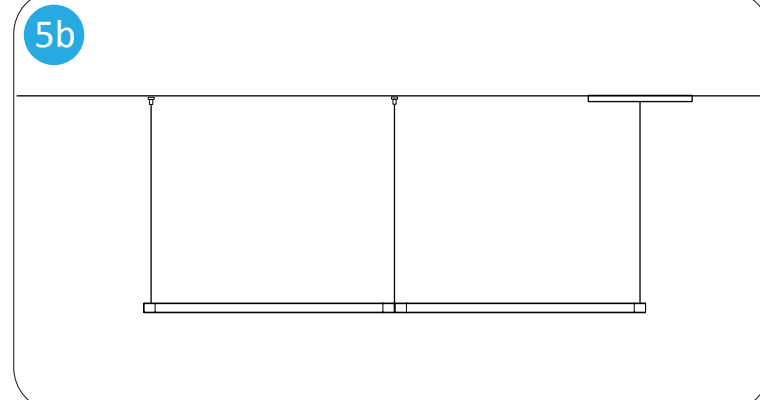
Affix the holders to the 2 locations (other than the canopy) marked on the ceiling from step #1 with screws. Then screw the cable grippers into the holders. Wires can be released and re-adjusted by pressing onto the nozzle.

Using the nut & cable gripper in the bag labeled "b", feed the DC power cord, from the joint in the container labeled ⚡, through the provided nut, then through the face plate, and then through the provided cable gripper as shown. Connect the DC wires to the DC terminal. Pull the core wire out and fit it into the + positive terminal. Twist the skin of the wire and fit it into the - negative terminal. Affix the wires to the terminal with a flat head screw driver. Secure the cable gripper to the face plate by tightening the nut to the cable gripper.

Tighten two screws from the sides to secure the face plate.

4b

Attach LED light bars to the joints and make sure they are fully inserted with no gaps. Ensure each joint is positioned so that the joint's center opening is always facing **inward**, and not upward, downward or outward of the entire fixture.



All wires should be of equal length.

Wires can be released and re-adjusted by pressing the cable grippers' "nozzle".