



Desk

A Modern Lighting Icon

# Z-Bar

Designer  
Peter Ng

Interior Design Magazine's Best of Category 2006  
Permanent display at Die Neue Sammlung, Munich  
TIME Magazine's Best Inventions of the Year 2007

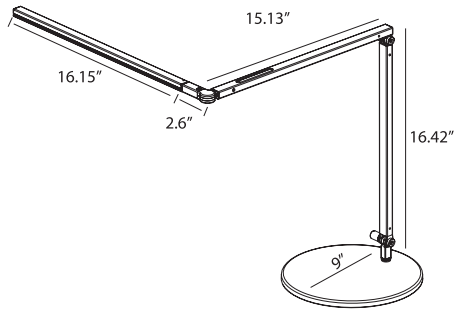
The Z-Bar collection broke the mold for desk and floor lamp design and introduced the world to Koncept's contemporary designs. The traditional bulb-and-shade lamp format was abandoned and the result was a flexible, streamlined design. The three-bar silhouette has become iconic in the LED lighting design industry. With several sizes to choose from, there's a Z-Bar for every need.

	Z-Bar	Z-Bar Slim	Z-Bar Mini
Lumens:	475	400	320
Footcandles:	165	130	115
Lux:	1776	1399	1238
Energy Consumption:	9.5 W	8.5 W	6.5 W
Rated Lifespan:	50,000 hours		
Color Temperature:	Cool: 4,500 K / Warm: 3,500 K		
Color Rendering Index (CRI) :	85		
Brightness Adjustability:	Continuous dimming (touchstrip)		
Material:	Aluminum, plastic		
Occupancy Sensor:	Sold separately		
Safety Rating:	C-UL-US Certified		
Warranty:	5 years		
Voltage:	100-240V		
Standard Finishes:	Metallic Black, Silver, White*, Red*, Orange*, Blue*, Green*, Purple*		

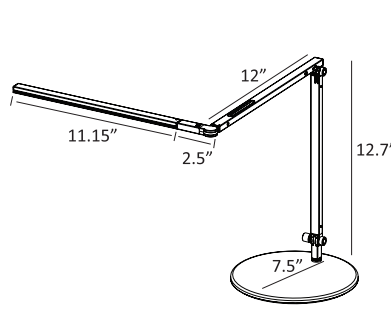
\*Z-Bar Mini Warm Light Models Only

- AR
- 3000 = Z-Bar
  - 3100 = Z-Bar Mini
  - 3200 = Z-Bar Slim
  - CD = Cool White Light
  - WD = Warm White Light
  - MBK = Metallic Black
  - SIL = Silver
  - WHT = White\*
  - RED = Red\*
  - ORG = Orange\*
  - BLU = Blue\*
  - GRN = Green\*
  - PUR = Purple\*

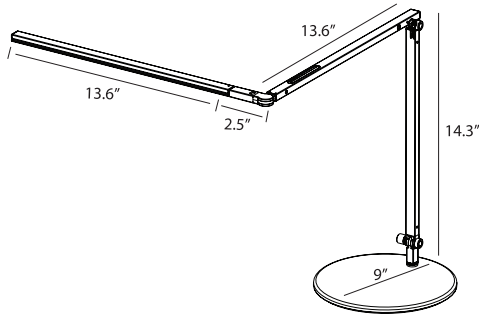
Z-Bar Desk Lamp



Z-Bar Mini Desk Lamp



Z-Bar Slim Desk Lamp

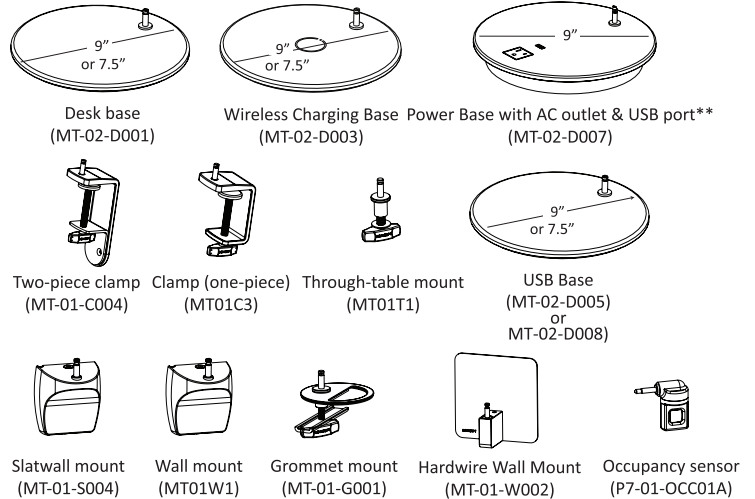


- DSK = Desk Base
- CLP = One-piece Clamp
- 2CL = Two-piece Clamp
- SLT = Slatwall Mount
- WAL = Wall Mount
- GRM = Grommet Mount
- THR = Through-Table Mount
- QCB = Wireless Charging Base
- PWD = Power Base\*\*
- HWS = Hardwire Wall Mount
- USB = USB base

\*Z-Bar Mini Warm Light Models Only

\*\*Z-Bar, Z-Bar Slim Only

Mounting Options/Accessories\*



\*Limited finishes available on mounting options

\*\*not available for Z-Bar Mini

LEED Information

Integrative Process

To support high-performance, cost-effective project outcomes through an early analysis of the interrelationships among systems. Concept's LED desktop and task lighting provides finer control over lighting levels in occupied spaces. With personal lighting in place, elimination or downsizing of building lighting systems is possible.

Interior Lighting

To promote occupants' productivity, comfort and well-being by providing high-quality lighting. Concept's portable task lighting products provide more than three lighting levels that occupants can easily adjust to suit their needs. Furthermore, all Koncept lighting products use high quality LED light sources with CRI over 80 and L70 rated lifespan over 50,000 hours. Desktop and task personal lighting also provide the opportunity to reduce overhead lighting.

Photometrics: Light source placed 15" away from work surface

