

Desk

Streamlined Flexibility

Z-Bar mini desk lamp

Z-Bar mini is designed for smaller desks and workspaces. An improved joint design allows for a cleaner profile and greater articulation. The improved optics avoided multiple, harsh shadows, and producing soft, even shadows. Compatible with various desk and wall mounts. The "Pro" version comes with an occupancy sensor and USB port for charging compatible devices. It also allows users to choose and adjust their color temperatures (from 2,700-5,000 K) to coincide with their circadian rhythms.

Designers

Peter Ng, Kenneth Ng, Edmund Ng

Red Dot Design Award 2021

iF Design Award 2021

Best of NeoCon SILVER 2021

Interior Design Magazine's Best of Category 2006*

Permanent display at Die Neue Sammlung, Munich*

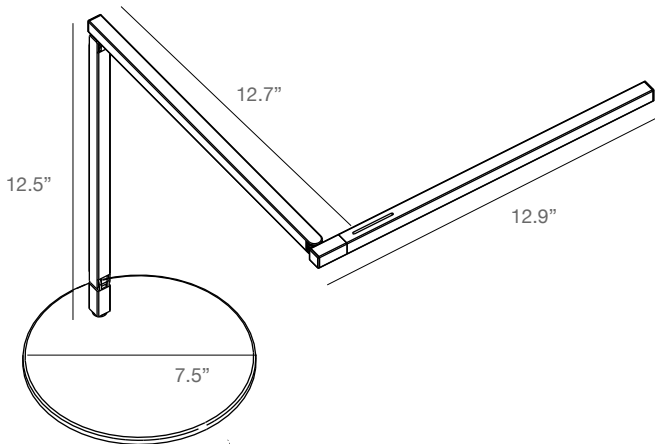
TIME Magazine's Best Inventions of the Year 2007*

*Awards won with previous Z-bar generations

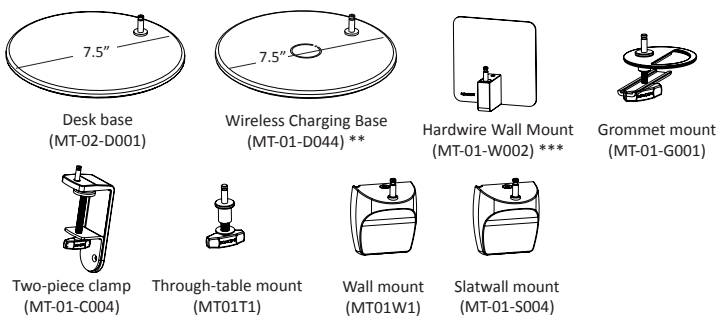
Technical Information

	Z-Bar mini	Z-Bar mini Pro
Occupancy Sensor:	N/A	Built-in
USB-C port:	N/A	Built-in
Color Temperature:	3,500K (W) or 5,000K (D)	2,700K (S) - 5000K (D)
Lumens:	533	564 (S) / 670 (D)
Footcandles @ 15":	112 (W) / 124 (D)	136
Energy Consumption:	5.35 W	6.8 W
Standard Finishes:	Matte Black, Silver, Matte White, Matte Red, Matte Orange, Konzept Blue	Matte Black, Silver
L-90 Rated Lifespan:	60,000 hours	
Color Rendering Index:	90+	
Brightness Adjustability:	Continuous dimming (touchstrip)	
Material:	Aluminum, plastic	
Safety Rating:	C-UL-US Certified	
Warranty:	5 years	
Voltage:	100-240V	

Dimensions



Mounting Options/Accessories*



*Limited finishes available on mounting options
 ** Not available for standard model
 *** Not available for Pro model

LEED Information

Integrative Process

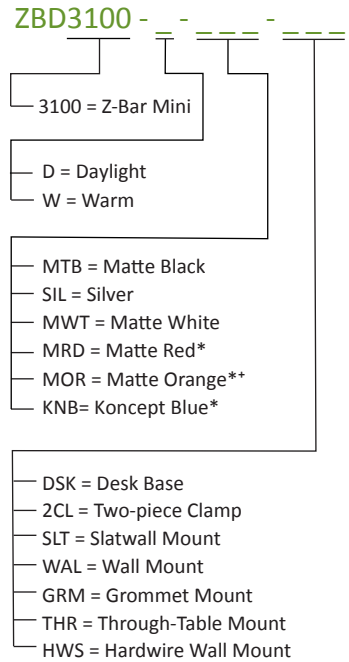
To support high-performance, cost-effective project outcomes through an early analysis of the interrelationships among systems.

Concept's LED desktop and task lighting provides finer control over lighting levels in occupied spaces. With personal lighting in place, elimination or downsizing of building lighting systems is possible.

Interior Lighting

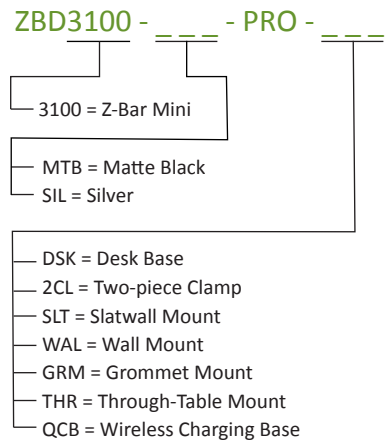
To promote occupants' productivity, comfort and well-being by providing high-quality lighting. Concept's portable task lighting products provide more than three lighting levels that occupants can easily adjust to suit their needs. Furthermore, all Concept lighting products use high quality LED light sources with CRI over 90 and L90 rated lifespan over 60,000 hours. Desktop and task personal lighting also provide the opportunity to reduce overhead lighting.

Z-Bar mini



*Comes in warm light only
 *Desk base comes in matching finish, other mounting options comes in black finish.
 * This lamp is a partaker in the Tangerine charity campaign. Visit koncept.com/Tangerine for more information

Z-Bar mini Pro



Photometrics: Light source placed 15" away from work surface

