



Desk

Dynamic. Efficient. Flexible.

# Splitty Reach

Designers  
Kenneth Ng, Edmund Ng

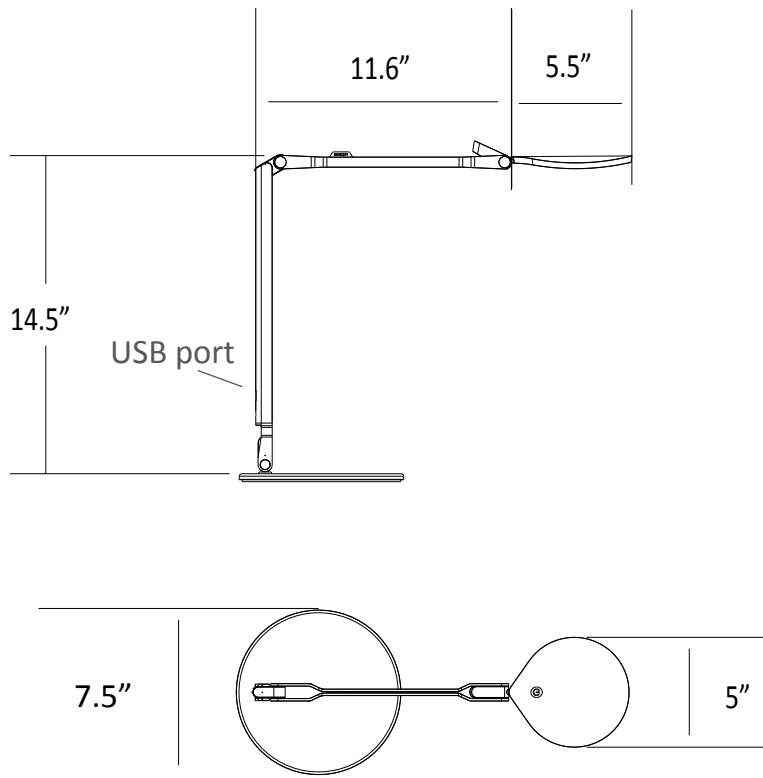
Red Dot Design Award 2018  
iF Design Award 2018  
Best of NeoCon GOLD 2017  
Interior Design Best of Year Honoree 2017

Available in three finishes, Splitty Reach offers even more flexibility and reach than the original Splitty desk lamp, due to the double arm and special joint mechanism. A USB port is located in the lower body for convenient charging options. The lamp's diffused LED light source allows it to perform as both a radiant ambient light and functional task light. Desk mounting, wall mounting and alternative bases available.

	Splitty Reach	Splitty Reach Pro
Color Temperature:	Warm (3,500 K)	Soft Warm (2,700K) ~ Daylight (5,000K)
USB port:	1A (USB-A)	1.5A (USB-C)
Occupancy Sensor:	N/A	Built-in
Lumens:		500
Footcandles:		117
Lux:		1259
Energy Consumption:		7 W
Color Rendering Index (CRI):		90+
Rated Lifespan:		60,000 hours
Brightness Adjustability:		Continuous dimming
Material:		Aluminum, plastic
Safety Rating:		C-UL-US Certified
Voltage:		120V
Standard Finishes:		Silver, matte black, matte white**

\*\*Finish not available for Splitty Reach Pro

## Dimensions



## Splitty Reach

SPY - W - \_\_\_ - RCH - \_\_\_

- SIL = Silver
- MTB = Matte Black
- MWT = Matte White
- DSK = Standard desk base
- CLP = Clamp
- 2CL = Two-piece clamp
- SLT = Slatwall mount
- WAL = Wall mount
- THR = Through table mount
- GRM = Grommet mount
- HWS = Hardwired wall mount
- QCB = Wireless Charging Base

## Splitty Reach Pro

SPY - \_\_\_ - RCA - \_\_\_

- SIL = Silver
- MTB = Matte Black
- DSK = Standard desk base
- CLP = Clamp
- 2CL = Two-piece clamp
- SLT = Slatwall mount
- WAL = Wall mount
- THR = Through table mount
- GRM = Grommet mount
- HWS = Hardwired wall mount
- QCB = Wireless Charging Base

## Mounting Options for all Splitty series desk lamps\*\*\*



Two-piece clamp  
(MT-01-C004)



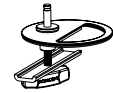
Clamp (one-piece)  
(MT01C3)



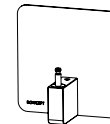
Through-table mount  
(MT01T1)



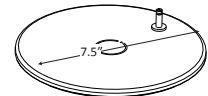
Slatwall mount  
(MT-01-S004)



Grommet mount  
(MT-01-G001)



Hardwire Wall Mount  
(MT-01-W002)



Wireless Charging Base  
(MT-01-D010)

\*\*\*Limited finishes available on mounting options.  
Visit [koncept.com/splitty](http://koncept.com/splitty) for more information.

## LEED Information

### Integrative Process

To support high-performance, cost-effective project outcomes through an early analysis of the interrelationships among systems.

Koncept's LED desktop and task lighting provides finer control over lighting levels in occupied spaces. With personal lighting in place, elimination or downsizing of building lighting systems is possible.

### Interior Lighting

To promote occupants' productivity, comfort and well-being by providing high-quality lighting.

Koncept's portable task lighting products provide more than three lighting levels that occupants can easily adjust to suit their needs. Furthermore, all Koncept lighting products use high quality LED light sources with CRI over 80 and L70 rated lifespan over 50,000 hours.

Desktop and task personal lighting also provide the opportunity to reduce overhead lighting.

## Photometrics: Light source placed 15" away from work surface

