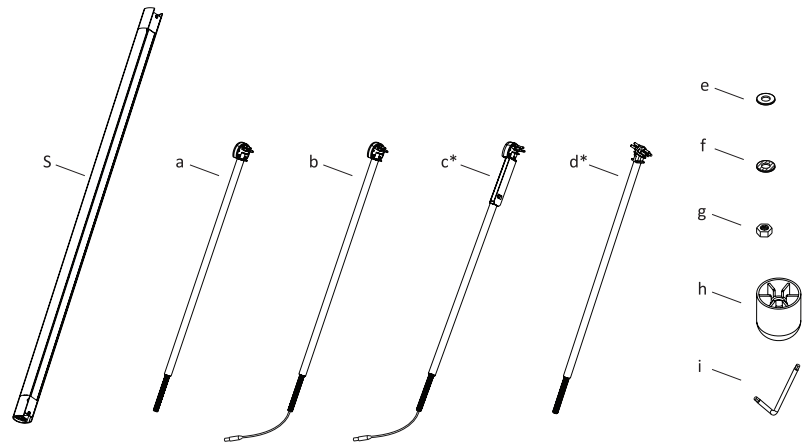


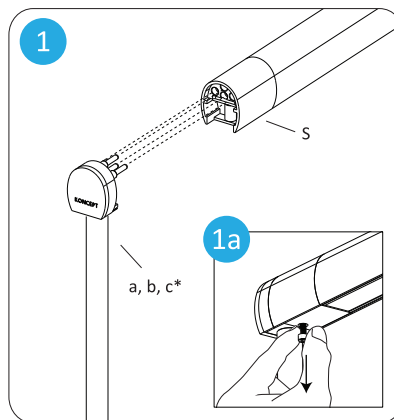
Parts



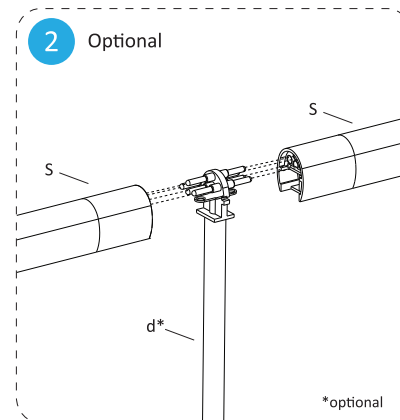
- S. LED luminaire
- a. End bar
- b. End bar with cable
- c. End bar with control unit*
- d. Connecting bar*
- e. Finished washer
- f. Unfinished washer
- g. Nut
- h. Cap
- i. Hex key**

*Optional
 **After installation, store the hex key in a safe place. Sobre™ cannot be safely uninstalled without the hex key.

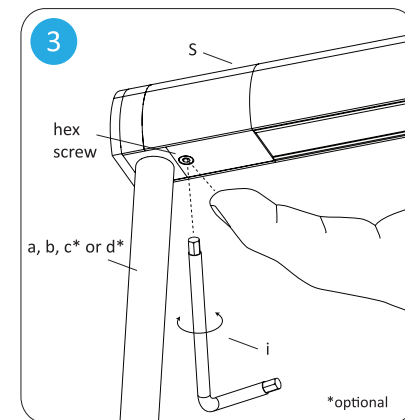
Assembly Instructions



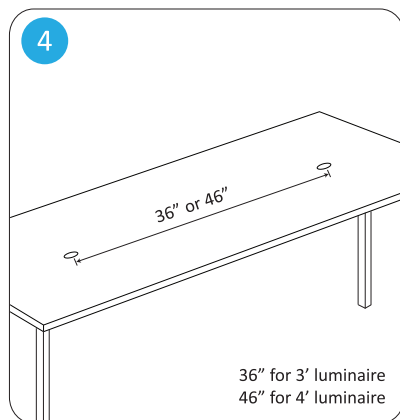
Push the end bars into the luminaire. If you experience difficulty pushing the bars into the luminaire, make sure the hex screw is disengaged. To disengage the hex screw, loosen up the screw using the provided hex key, and then pull down the screw (see 1a)



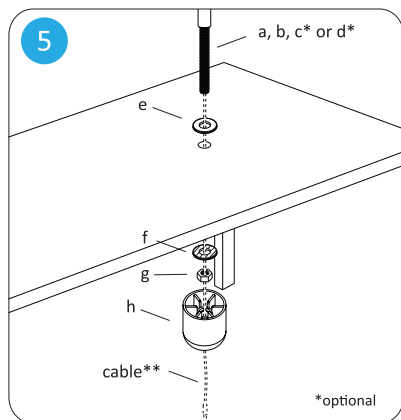
Push the connecting bar(s) into the luminaires to connect the modules. If you experience difficulty pushing the bars into the luminaires, make sure the hex screw is disengaged. To disengage the hex screw, loosen up the screw using the provided hex key, and then pull down the screw (see 1a)



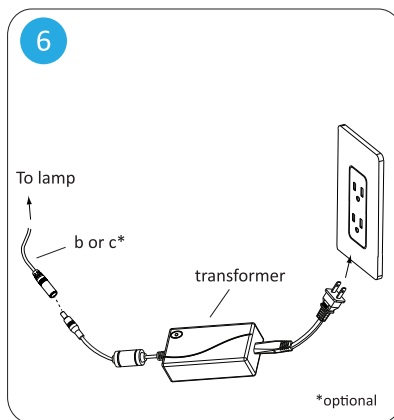
After the bars are fully inserted, push in the hex screw so it engages the end bars and the connecting bar(s). If the screw head shows above the surface, tighten the screw until it is flush with the surface using the provided hex key.



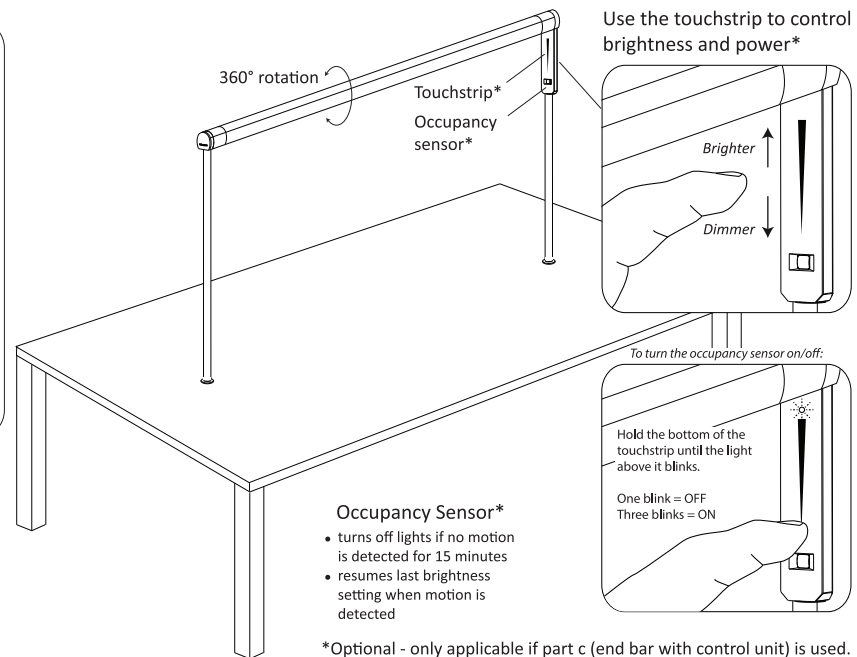
Drill two or more 7/16" diameter holes as needed in the table. Center the hole placement on the table, making sure the holes for the 3' luminaire are 36" apart, and holes for the 4' luminaire are 46" apart.



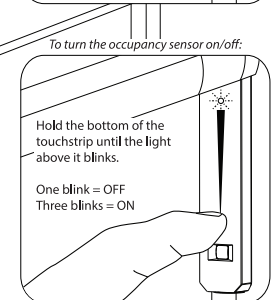
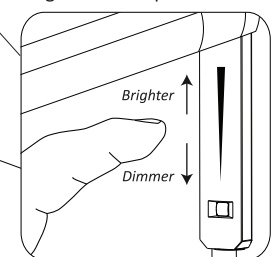
Fit the bars into the hole on the table. Use the provided washers as illustrated and fasten the nut to secure the bar. Use the cap to cover any part of the bar that is showing under the table.
 **If the bars come with a cable, guide the cable through the hole, washer, nut and cap.



Connect the transformer to the lamp cable, then plug in the transformer to the wall outlet.



Use the touchstrip to control brightness and power*



Occupancy Sensor*

- turns off lights if no motion is detected for 15 minutes
- resumes last brightness setting when motion is detected

*Optional - only applicable if part c (end bar with control unit) is used.