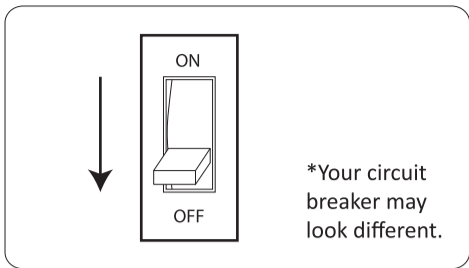
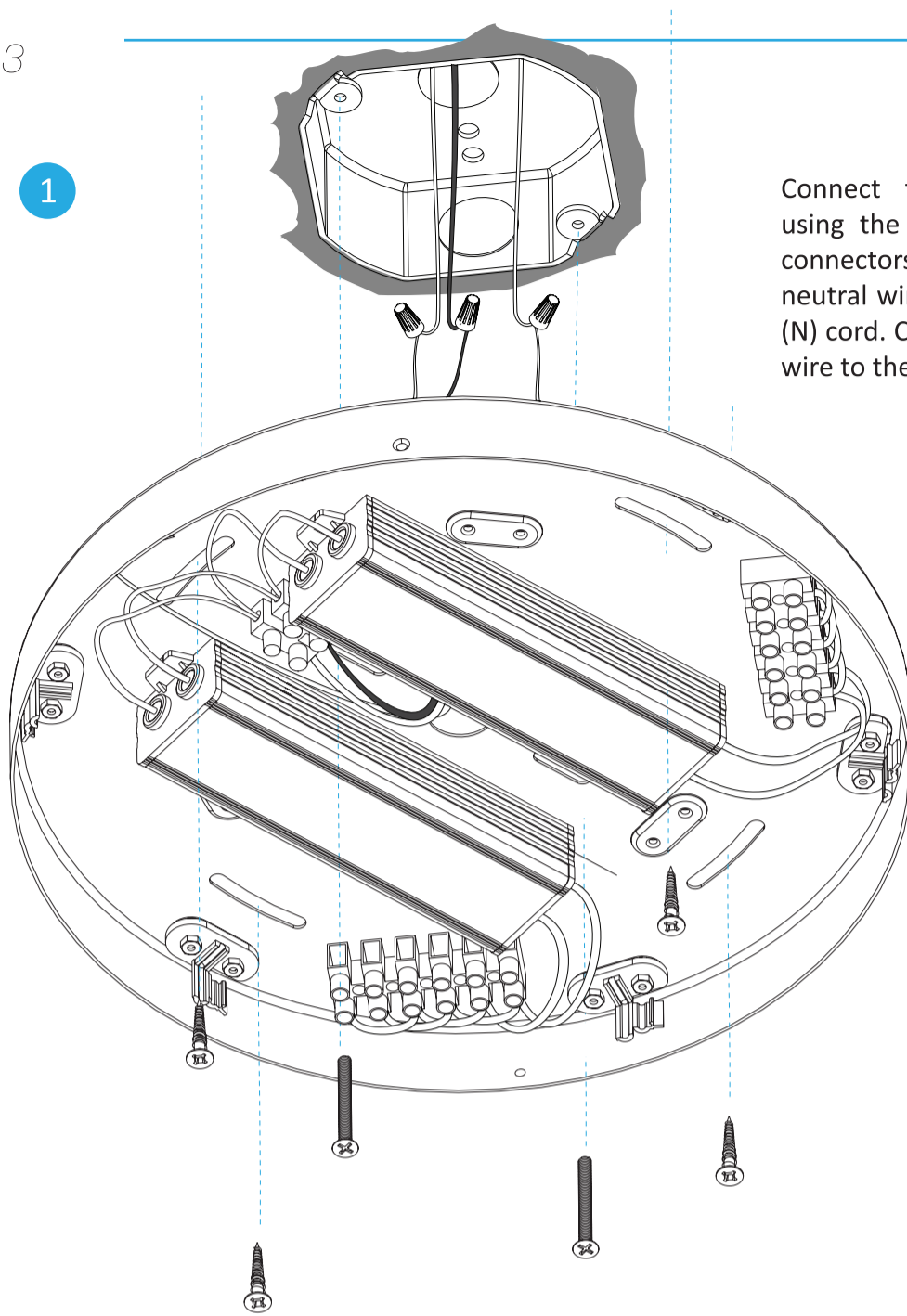


Canopy installation



**Shock Hazard.** Electric shock could result in serious injury or death. Make sure circuit breaker is set to OFF before installation. Must be installed by a qualified electrician.

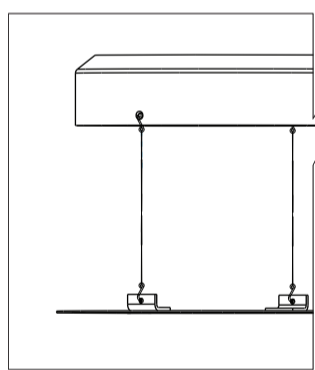
Secure the canopy to the junction box. Optionally, using the 4 provided screws, secure the canopy to the surrounding ceiling. Make sure the canopy is fully covering and centered to the junction box.



Connect the AC wires using the provided wire connectors. Connect the neutral wire to the white (N) cord. Connect the live wire to the black (L) cord.

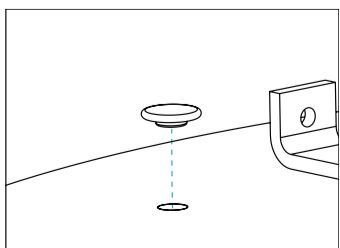
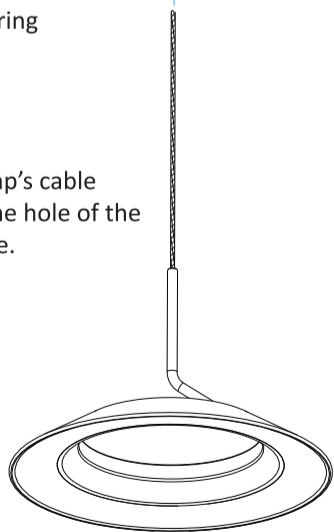
Note: For Circular 3 Royyo Pendants, only one LED driver will be included.

2



Use the provided strings to hang the cover plate from the canopy during installation

Fit the lamp's cable through the hole of the cover plate.

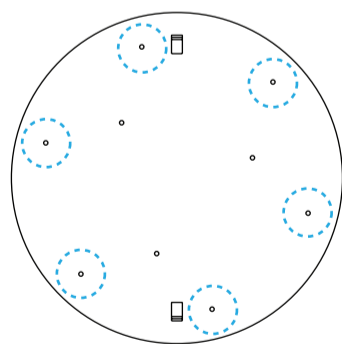


Cover the unused holes with the provided fillers.

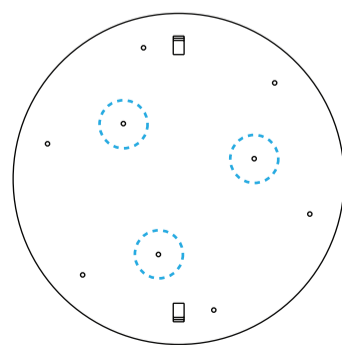
3

Determine the desired hanging height of the lamp. Gently bend the cable 90 degrees at the desired length, and fit it into the slot of the cable lock.

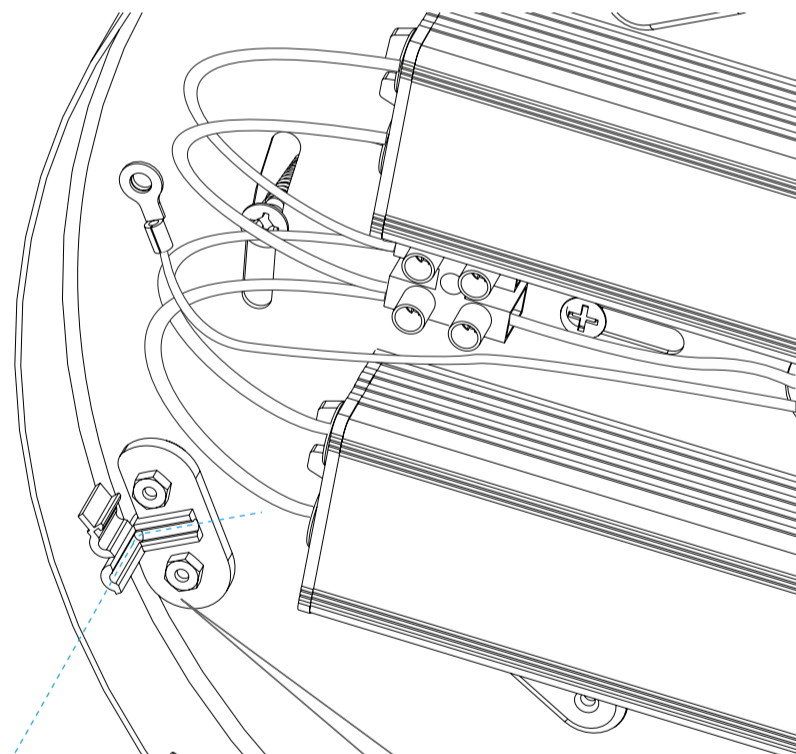
The recommended configuration is to have the lamps placed about 4.5" apart from each other and in a spiral fashion.



For circular 6 Royyo pendants, use the 6 outer holes.

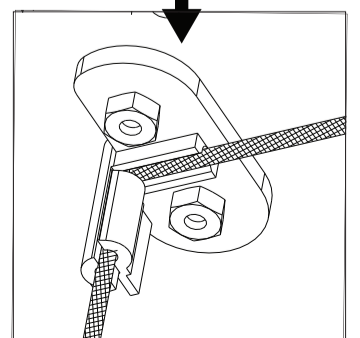
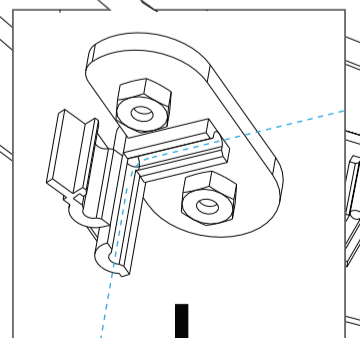


For circular 3 Royyo pendants, use the 3 inner holes.

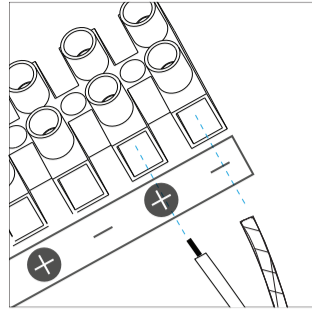


Flip the cable lock to the right and click into place to lock it.

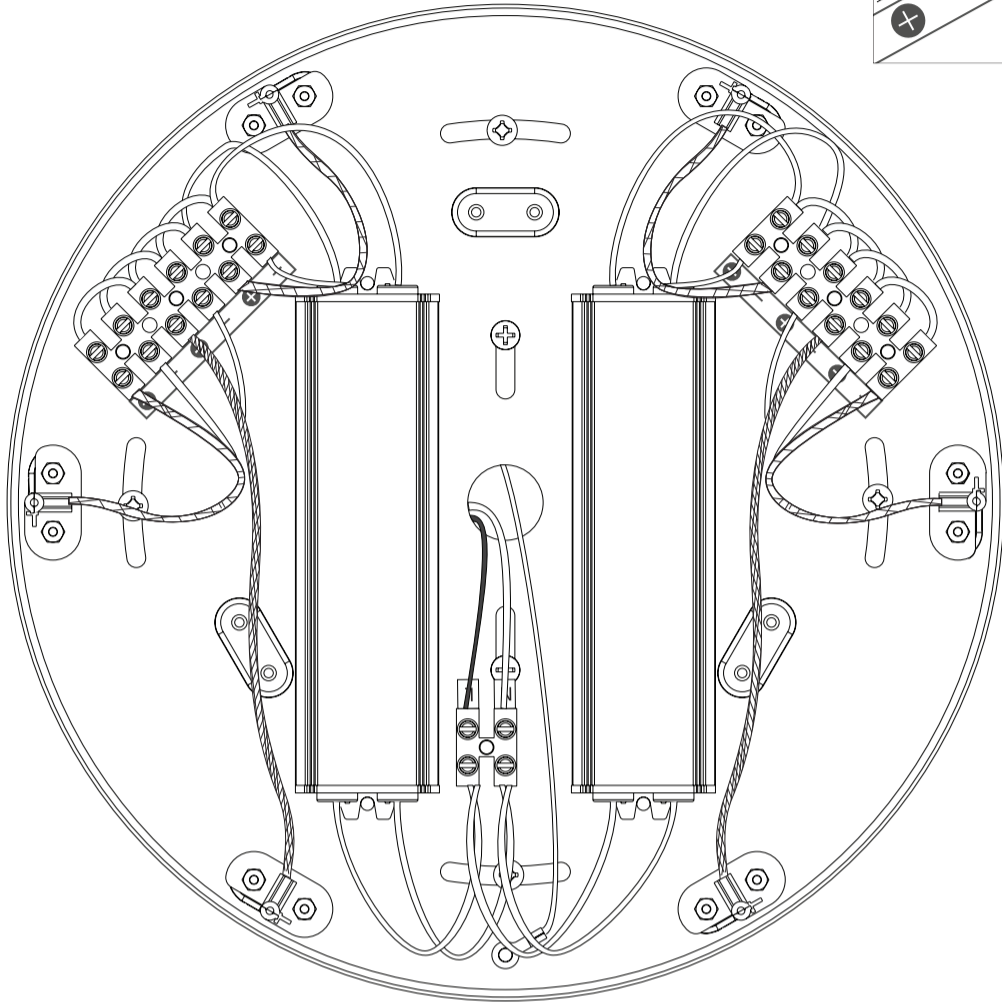
Repeat the same steps for all lamps.



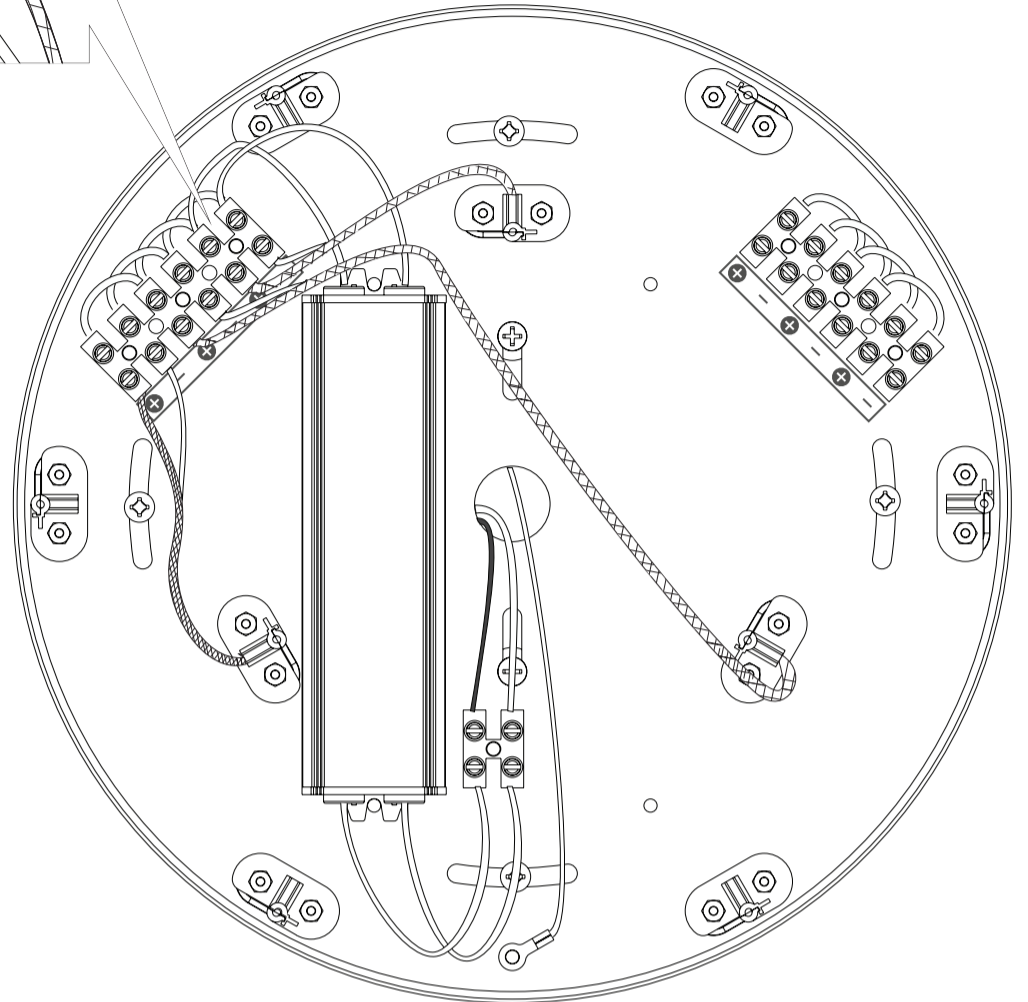
4



Pull the core wire out and fit it into the nearest + positive terminal .  
Twist the skin of the wire and fit it into the - negative terminal adjacent to the + positive terminal. Repeat the same steps for all lamps.  
**Do not insert more than one wire into a terminal.**

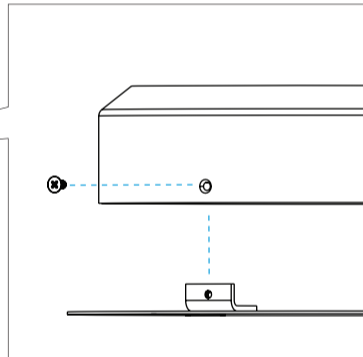


Canopy for Circular 6 Royyo pendant

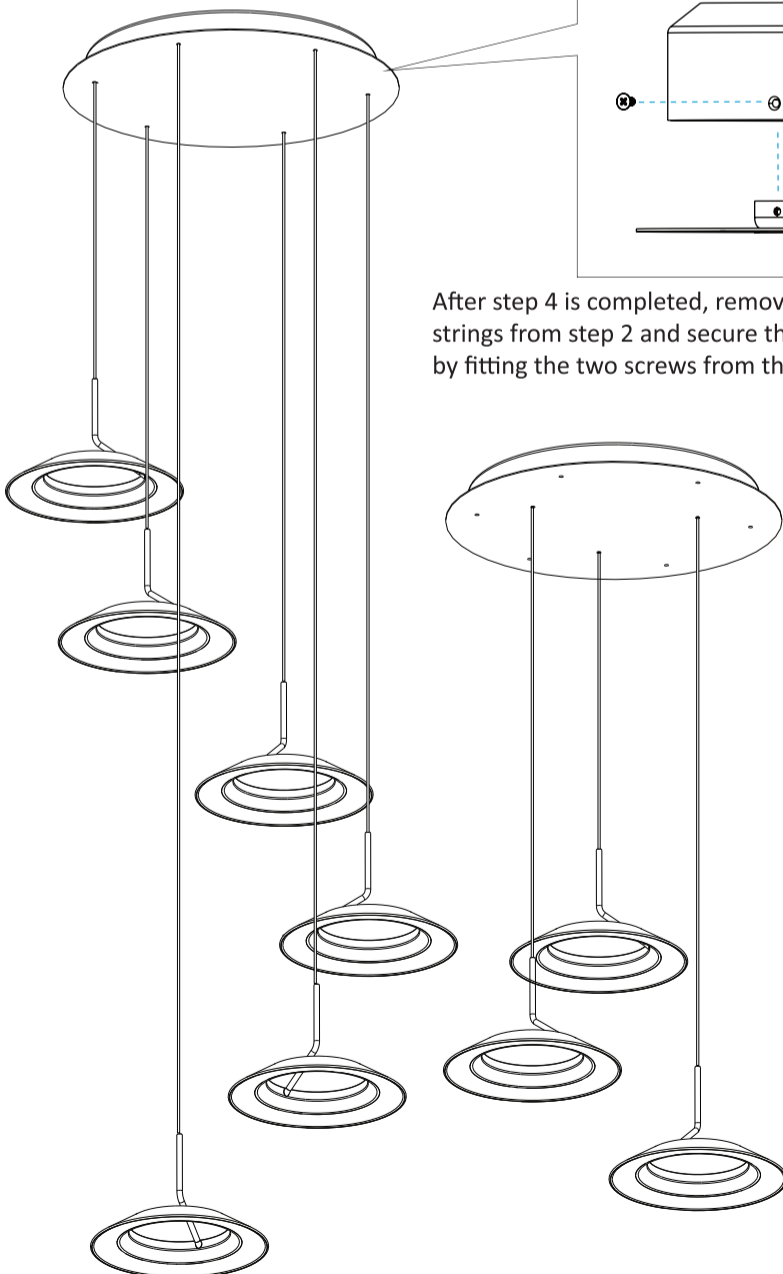


Canopy for Circular 3 Royyo pendant

5



After step 4 is completed, remove the hanging strings from step 2 and secure the cover plate by fitting the two screws from the sides.



### Five Year Limited Product Warranty

Koncept warrants to the original purchaser of this product against manufacturer defects in design, assembly, material, or workmanship, and will, at Koncept's option, replace or repair any defective product free of charge. This coverage is valid for five years from the date of purchase as long as the original purchaser owns the product. Koncept will replace or repair the product, which Koncept, at its sole discretion, agrees is defective, free of charge provided that the following conditions for a return are fulfilled.

This warranty does not apply to any product damaged by accident, physical or electrical misuse or abuse, improper installation, alteration, any use contrary to its intended function, war, fire, flood, or any other acts of nature, or unauthorized repair.

Koncept assumes no liability for any events such as fines arising out of the use of this product or any consequential damages caused by any failure of the product to function properly. Under no circumstances should this warranty or the product covered by it be construed as an insurance policy against loss of any kind. Koncept staff neither assumes nor authorizes any person or organization to make any warranties or assume any liability in connection with the sale or use of this product. This warranty covers only products used in the 50 US states and/or Canada. This is the complete RYP warranty and no other warranty exists. Some jurisdictions may not allow limitations on how long an implied warranty lasts, or the exclusion or limitation of incidental or consequential damages, so the above exclusions or limitations may not apply to you. This warranty gives you specific legal rights, and you may also have other rights which vary in different states and countries.

To file a replacement/repair claim under the warranty:

- 1) Contact Koncept for a return authorization number during the warranty period. A claim will not be accepted without a return authorization number.
- 2) Make a copy of the original purchase receipt with purchase date and product name clearly shown.
- 3) Provide original purchaser's full name, email address (optional), daytime phone, and postal address.
- 4) Return the defective product to Koncept freight prepaid and accompanied by (1), (2), and (3) to the following address:

Limited Product Warranty  
Koncept Inc. 429 E. Huntington Drive, Monrovia, CA 91016



### Warnings



#### Warning: To reduce the risk of fire, electric shock or injury:

- Do not use in wet locations
- Do not handle plug or appliance with wet hands
- Do not stare directly at LEDs



#### Overheating may result in reduced LED lifespan:

- Keep out of direct sunlight.
- Remove plastic bag from lamp before use.
- Recommended ambient temperature: under 77 °F.

### Specifications

Model	RYP-C3 (Circular 3) RYP-C6 (Circular 6)
Light Color	Soft Warm
Color Temperature	3000 K
Brightness Adjustability	Compatible w/ELV or LED dimmers
Input voltage	120V only

Koncept Inc.  
429 E. Huntington Drive  
Monrovia, CA 91016, USA  
Phone: 323-261-8999  
Fax: 323-261-8998

Customer Support:  
support@koncept.com  
Web Address:  
www.koncept.com

Register your Koncept LED lamp online and receive:

- One Year Warranty Extension
- Priority Product Servicing

Visit [www.koncept.com/productsupport](http://www.koncept.com/productsupport) and enter your serial number (S/N: XXXXXXXX) located on your product.