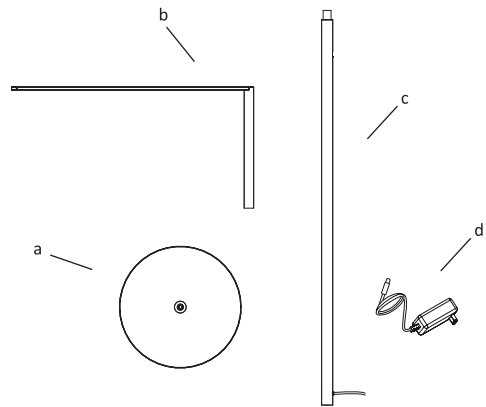
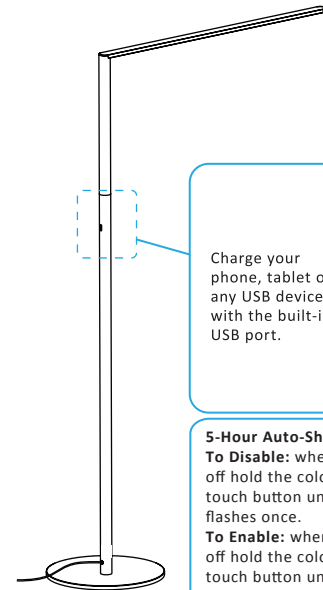
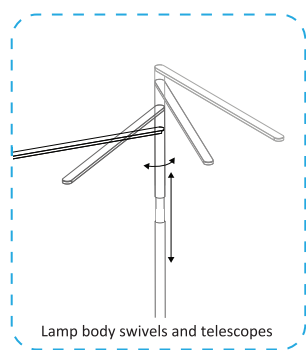
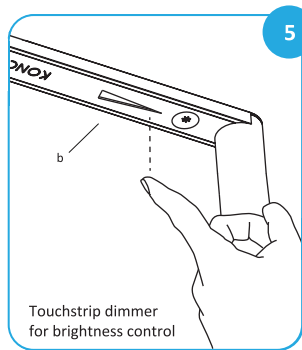
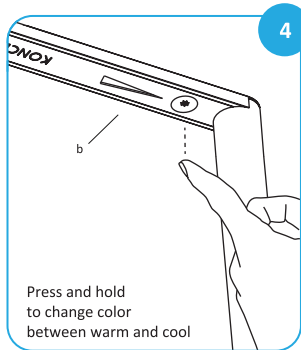
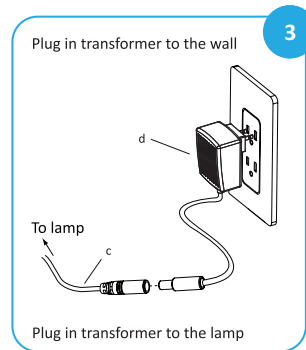
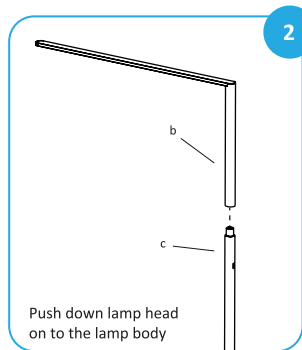
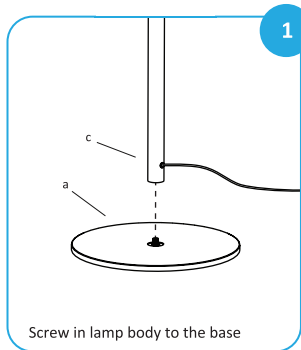


Assembly Instructions



- a. Base
- b. Lamp head
- c. Lamp body
- d. Transformer



Charge your phone, tablet or any USB devices with the built-in USB port.

5-Hour Auto-Shutoff
To Disable: when the light is off hold the color control touch button until the light flashes once.
To Enable: when the light is off hold the color control touch button until the light flashes three times.