



The Ultimate Minimalist

Lady7

Designed with a wispy-thin silhouette, Lady7 emits a beautifully diffused, linear light. This timeless piece is available as a desk lamp or floor lamp. The body features a telescopic mechanism to adjust its height. The light is dimmable and its color tunable from cool to warm. With its contemporary, clean lines, Lady7 is a gorgeous task light for any interior.

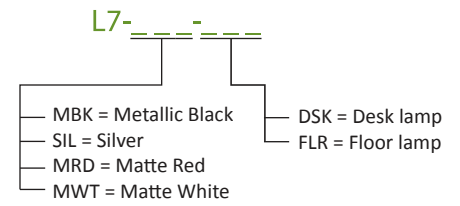
Designers
Kenneth Ng, Edmund Ng

Good Design Award (Japan) 2014
Spark Award 2014
Interiors & Sources Readers' Choice 2014
iF Design Award 2015

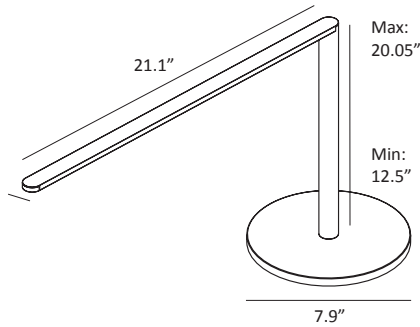
Desk

Floor

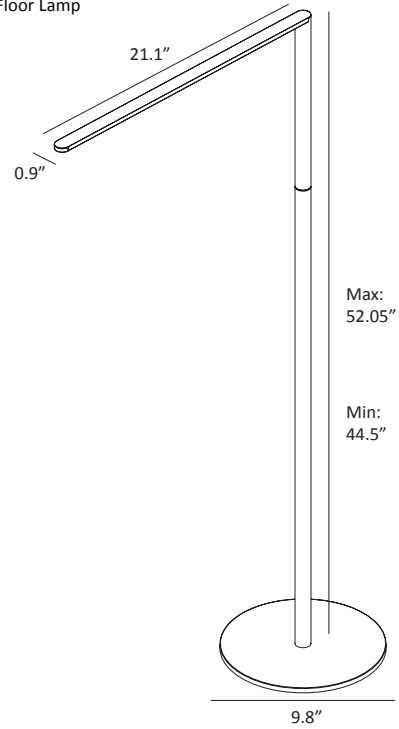
Lumens: 300
 Footcandles: 100
 Lux: 1080
 Energy Consumption: 6.5 W. 9 hour auto-shutoff timer.
 Rated Lifespan: 50,000 hours
 Color Temperature: Variable from 2,700 K to 4,000 K
 Color Rendering Index (CRI) : 83
 Brightness Adjustability: Continuous dimming (touchstrip)
 Material: Aluminum, plastic
 USB port: Built-in; 1A
 Safety Rating: C-UL-US Certified
 Warranty: 5 years
 Voltage: 120V
 Standard Finishes: Matte Red, Matte White, Metallic Black, Silver



Lady7 Desk Lamp



Lady7 Floor Lamp



LEED Information

Integrative Process

To support high-performance, cost-effective project outcomes through an early analysis of the interrelationships among systems. Konzept's LED desktop and task lighting provides finer control over lighting levels in occupied spaces. With personal lighting in place, elimination or downsizing of building lighting systems is possible.

Interior Lighting

To promote occupants' productivity, comfort and well-being by providing high-quality lighting. Konzept's portable task lighting products provide more than three lighting levels that occupants can easily adjust to suit their needs. Furthermore, all Konzept lighting products use high quality LED light sources with CRI over 80 and L70 rated lifespan over 50,000 hours. Desktop and task personal lighting also provide the opportunity to reduce overhead lighting.

Photometrics: Light source placed 15" away from work surface

