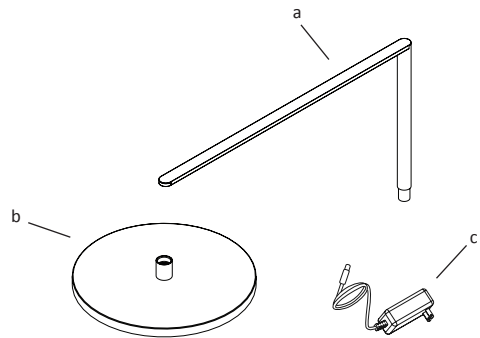
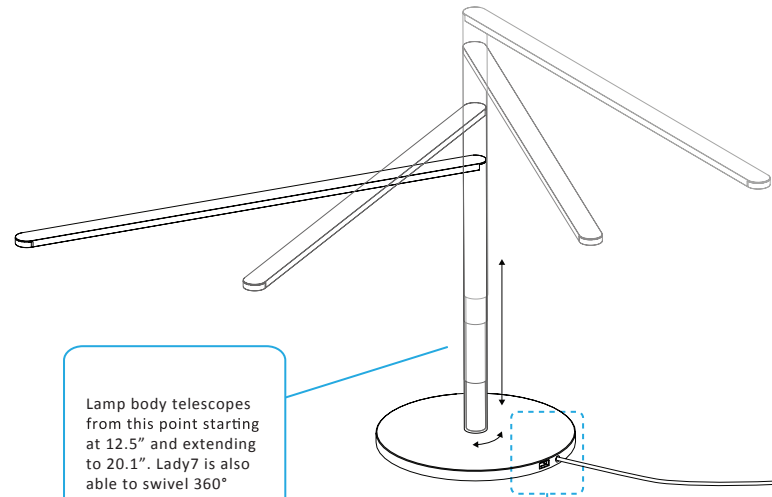
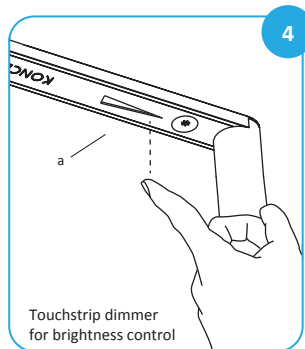
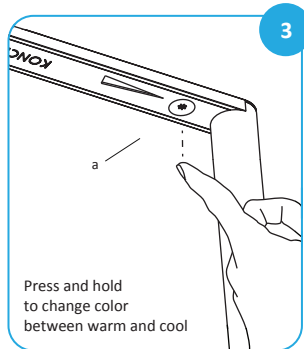
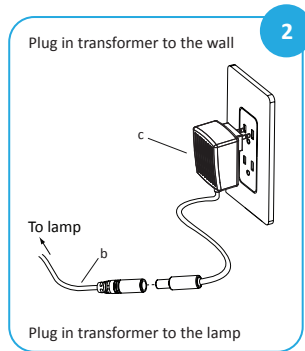
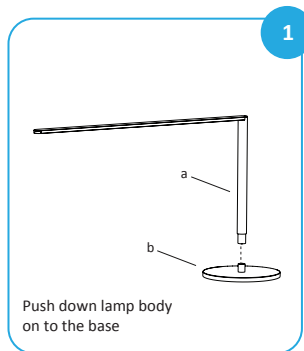


# Assembly Instructions



a. Base  
b. Lamp body  
c. Transformer



Lamp body telescopes from this point starting at 12.5" and extending to 20.1". Lady7 is also able to swivel 360°

**5-Hour Auto-Shutoff To Disable:** when the light is off hold the color control touch button until the light flashes once.  
**To Enable:** when the light is off hold the color control touch button until the light flashes three times.

Charge your phone, tablet, or any USB devices with the built-in USB port

# LADY7 LED DESK LAMP

# KONCEPT

## Five Year Limited Product Warranty

Koncept warrants to the original purchaser of this product against manufacturer defects in design, assembly, material, or workmanship, and will, at Koncept's option, replace or repair any defective product free of charge. This coverage is valid for five years from the date of purchase as long as the original purchaser owns the product. Koncept will replace or repair the product, which Koncept, at its sole discretion, agrees is defective, free of charge provided that the following conditions for a return are fulfilled.

This warranty does not apply to any product damaged by accident, physical or electrical misuse or abuse, improper installation, alteration, any use contrary to its intended function, war, fire, flood, or any other acts of nature, or unauthorized repair.

Koncept assumes no liability for any events such as fines arising out of the use of this product or any consequential damages caused by any failure of the product to function properly. Under no circumstances should this warranty or the product covered by it be construed as an insurance policy against loss of any kind. Koncept staff neither assumes nor authorizes any person or organization to make any warranties or assume any liability in connection with the sale or use of this product. This warranty covers only products used in the 50 US states and/or Canada. This is the complete Lady7 LED Desk Lamp warranty and no other warranty exists. Some jurisdictions may not allow limitations on how long an implied warranty lasts, or the exclusion or limitation of incidental or consequential damages, so the above exclusions or limitations may not apply to you. This warranty gives you specific legal rights, and you may also have other rights which vary in different states and countries.

To file a replacement/repair claim under the warranty:

- 1) Contact Koncept for a return authorization number during the warranty period. A claim will not be accepted without a return authorization number.
- 2) Make a copy of the original purchase receipt with purchase date and product name clearly shown.
- 3) Provide original purchaser's full name, email address (optional), daytime phone, and postal address.
- 4) Return the defective product to Koncept freight prepaid and accompanied by (1), (2), and (3) to the following address:

Limited Product Warranty  
Koncept  
429 E. Huntington Drive  
Monrovia, CA 91016

Register your Koncept LED lamp online and receive:

- One Year Warranty Extension (your lamp will be warrantied for six full years)
- Priority Product Servicing

Visit [www.koncept.com/productsupport](http://www.koncept.com/productsupport) and enter your product's registration number:

## Warnings



**WARNING: TO REDUCE THE RISK OF FIRE, ELECTRIC SHOCK OR INJURY:**

- Do not use outdoors or near water.
- Do not handle plug or appliance with wet hands.
- Do not stare directly at the LEDs.



**DO NOT USE AN EXTERNAL DIMMER WITH THIS LAMP. DOING SO MAY CAUSE DAMAGE TO THE PRODUCT.**



**Overheating may result in reduced LED lifespan. To avoid overheating:**

- Keep out of direct sunlight.
- Remove plastic bag from lamp before use.
- Recommended ambient temperature: under 77 °F.

## Specifications

Model	L7-__-DSK
Light Color	Warm White to Cool White
Color Temperature	Variable from 2,700 K to 4,000 K
Brightness Adjustability	Built-in touch sensitive dimmer
Cord Length	6 feet + 6 feet (from power supply side)

Koncept  
429 E. Huntington Drive  
Monrovia, CA 91016  
Phone: 323-261-8999  
Fax: 323-261-8998

Customer Support: [support@koncept.com](mailto:support@koncept.com)  
Web Address: [www.koncept.com](http://www.koncept.com)