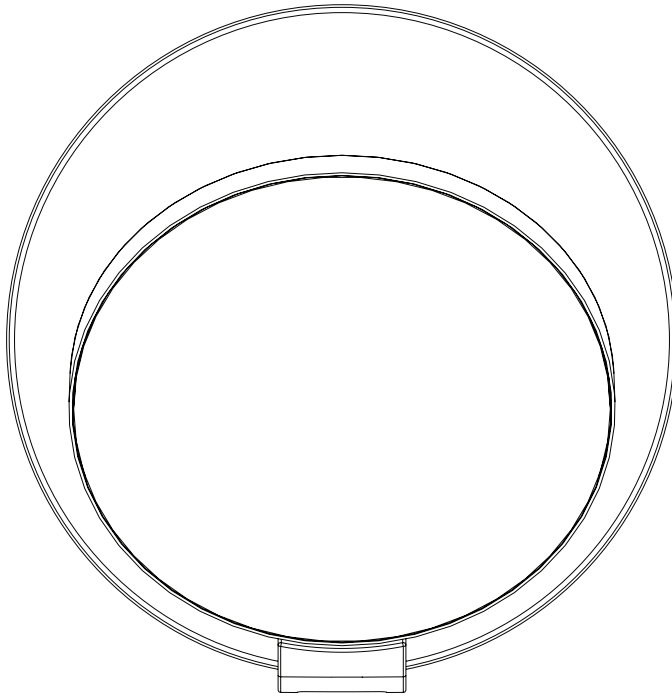


## Installation Instruction Manual



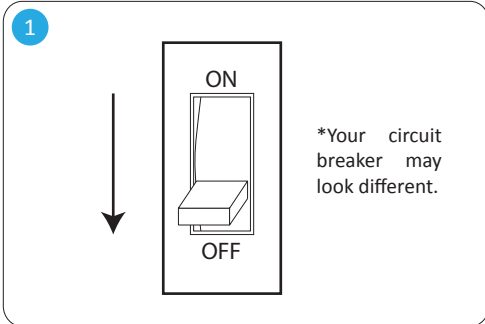
gravity  
wall sconce

---

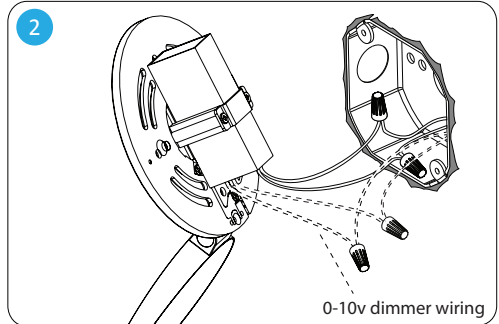
KONCEPT



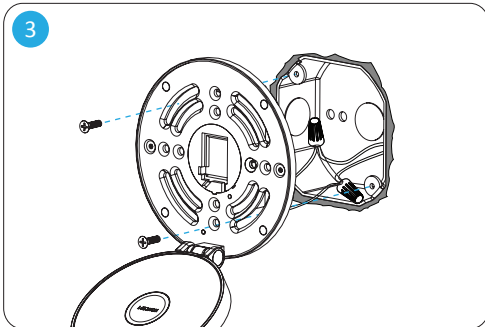
Hardwire installation (for hardwire models only)



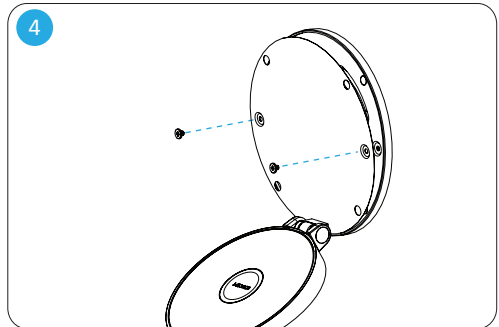
**Shock Hazard.** Electric shock could result in serious injury or death. Make sure circuit breaker is set to OFF before installation. Must be installed by a qualified electrician.



Using the provided twist-on connectors, connect the wires as illustrated in the Wiring Diagram on the next page. 0-10V optional wiring available for 0-10V dimmers.



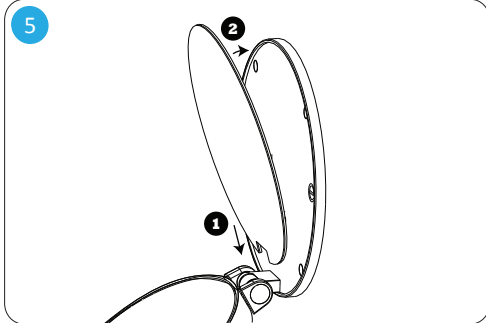
Secure Gravy Wall Sconce to the junction box with screws. A junction box of at least 1.5" depth should be used so that the LED driver will fit. LED driver should be completely seated inside the junction box.



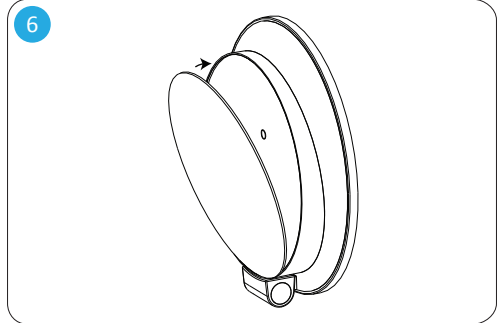
Secure the round metal plate to the Gravy Wall Sconce with screws.



Hardwire installation (for hardwire models only)

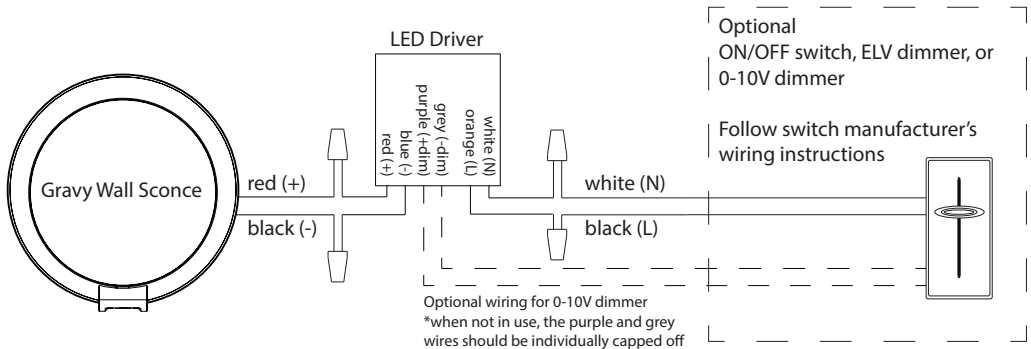


Magnetically attach face plate following the steps as shown in the figure.



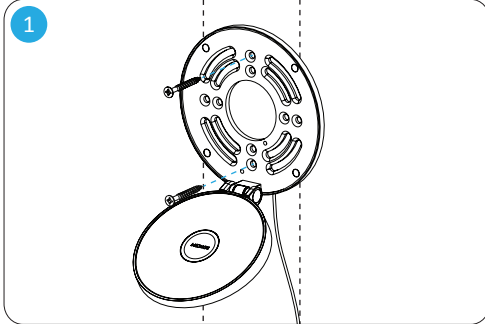
Magnetically attach face plate for the LED head, and then your Gravy LED Wall Sconce is now ready for use.

WIRING DIAGRAM

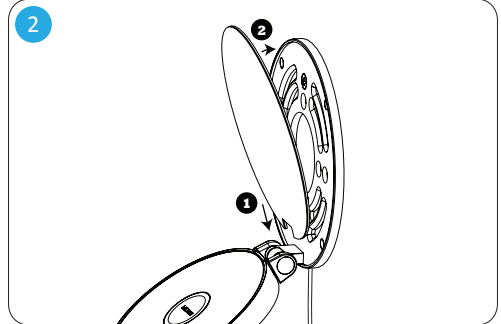




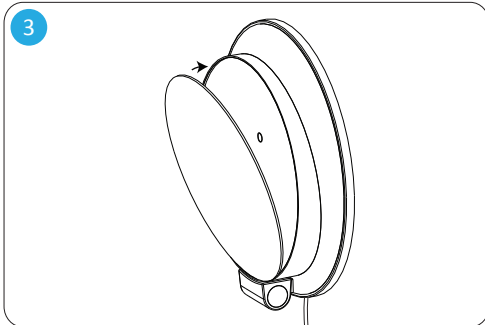
### Direct plug-in installation (for plug-in models only)



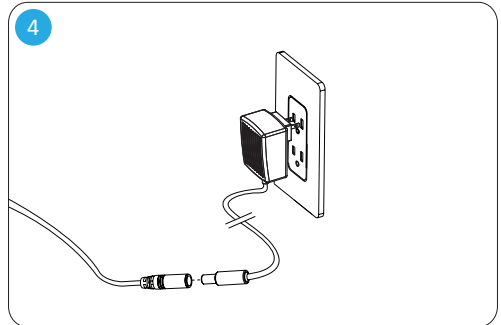
Installation of the Gravy Wall Sconce on a wood stud is recommended. Locate a wood stud using a wood stud finder device. Using the provided screws, secure the Gravy Wall Sconce to the wood stud.



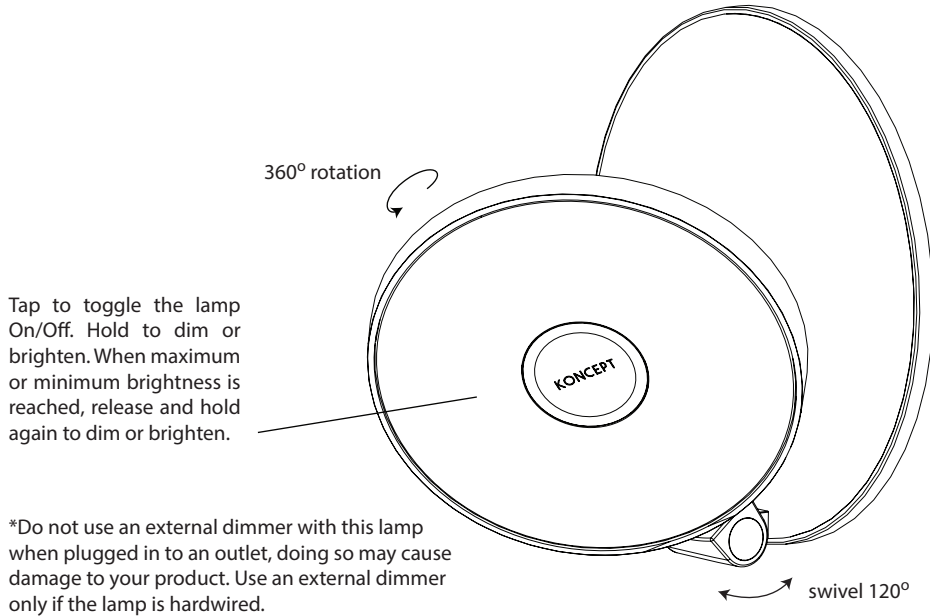
Magnetically attach face plate following the steps as shown in the figure.



Magnetically attach face plate for the LED head.

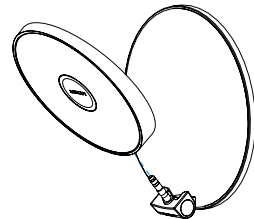


Connect power supply to the lamp cable, then plug in the power supply to a wall outlet.



#### Detachable LED Head

The LED head on your Gravy Wall Sconce can be detached for service. Please only detach the head when instructed.



## Five Year Limited Product Warranty

Koncept warrants to the original purchaser of this product against manufacturer defects in design, assembly, material, or workmanship, and will, at Koncept's option, replace or repair any defective product free of charge. This coverage is valid for five years from the date of purchase as long as the original purchaser owns the product. Koncept will replace or repair the product, which Koncept, at its sole discretion, agrees is defective, free of charge provided that the following conditions for a return are fulfilled.

This warranty does not apply to any product damaged by accident, physical or electrical misuse or abuse, improper installation, alteration, any use contrary to its intended function, war, fire, flood, or any other acts of nature, or unauthorized repair.

Koncept assumes no liability for any events such as fines arising out of the use of this product or any consequential damages caused by any failure of the product to function properly. Under no circumstances should this warranty or the product covered by it be construed as an insurance policy against loss of any kind. Koncept staff neither assumes nor authorizes any person or organization to make any warranties or assume any liability in connection with the sale or use of this product. This warranty covers only products used in the 50 US states and/or Canada. This is the complete GRW warranty and no other warranty exists. Some jurisdictions may not allow limitations on how long an implied warranty lasts, or the exclusion or limitation of incidental or consequential damages, so the above exclusions or limitations may not apply to you. This warranty gives you specific legal rights, and you may also have other rights which vary in different states and countries.

To file a replacement/repair claim under the warranty:

- 1) Contact Koncept for a return authorization number during the warranty period. A claim will not be accepted without a return authorization number.
- 2) Make a copy of the original purchase receipt with purchase date and product name clearly shown.
- 3) Provide original purchaser's full name, email address (optional), daytime phone, and postal address.
- 4) Return the defective product to Koncept freight prepaid and accompanied by (1), (2), and (3) to the following address:

Limited Product Warranty  
Koncept Inc.  
429 E. Huntington Drive  
Monrovia, CA 91016

## Warnings



### **Warning: To reduce the risk of fire, electric shock or injury:**

- Suitable for damp locations, do not use in wet locations
- Do not handle plug or appliance with wet hands
- Do not stare directly at LEDs



### **Overheating may result in reduced LED lifespan:**

- Keep out of direct sunlight.
- Remove plastic bag from lamp before use.
- Recommended ambient temperature: under 77 °F.

## Specifications

|                          |            |
|--------------------------|------------|
| Model                    | GRW        |
| Light Color              | Soft White |
| Color Temperature        | 2700 K     |
| Brightness Adjustability | Continuous |

Koncept Inc.  
429 E. Huntington Drive  
Monrovia, CA 91016, USA  
Phone: 323-261-8999  
Fax: 323-261-8998

Customer Support:  
support@koncept.com

Web Address:  
www.koncept.com

Register your Koncept LED lamp online and receive:

- One Year Warranty Extension
- Priority Product Servicing

Visit [www.koncept.com/productsupport](http://www.koncept.com/productsupport) and enter your serial number (S/N: XXXXXXXX) located on your product.