

KONCEPT



Light Defying Gravity

Equo

Equo is a willowy sculpture functioning as an LED desk lamp or floor lamp. The lamp has a streamlined counterweight design for feather-light adjustability. One finger is all you need to adjust the floating arm's position, and the tilting head stays at the angle you set. When the best in design meets clever engineering, the result is Equo, in all its elegance.

Designers
Peter Ng, Kenneth Ng,
Edmund Ng

iF Design Award 2012
Interior Design Best of Year 2011
Good Design Award (Japan) 2011
Benelux Office Products Award 2011
Bloom Award 2011
Red Dot Design Award 2011
Next Generation Luminaires 2010
Spark Award 2010
Good Design Award (Chicago) 2010
ADEX Platinum Award 2010

Desk

Floor

Lumens: 360
 Energy Consumption: 6 W
 Rated Lifespan: 50,000 hours
 Color Temperature: 4,500 K / 3,500 K
 Color Rendering Index (CRI): 85
 Brightness Adjustability: Continuous dimming
 Material: Aluminum, plastic
 Safety Rating: C-UL-US Certified
 Warranty: 5 years
 Voltage: 120 V
 Standard Finishes: Black, Chrome,* Orange, Silver

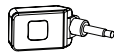
*Chrome finish available on warm light (3,500 K) model only

ELX-A-

CD = Cool Light (4,500 K)
 WD = Warm Light (3,500 K)

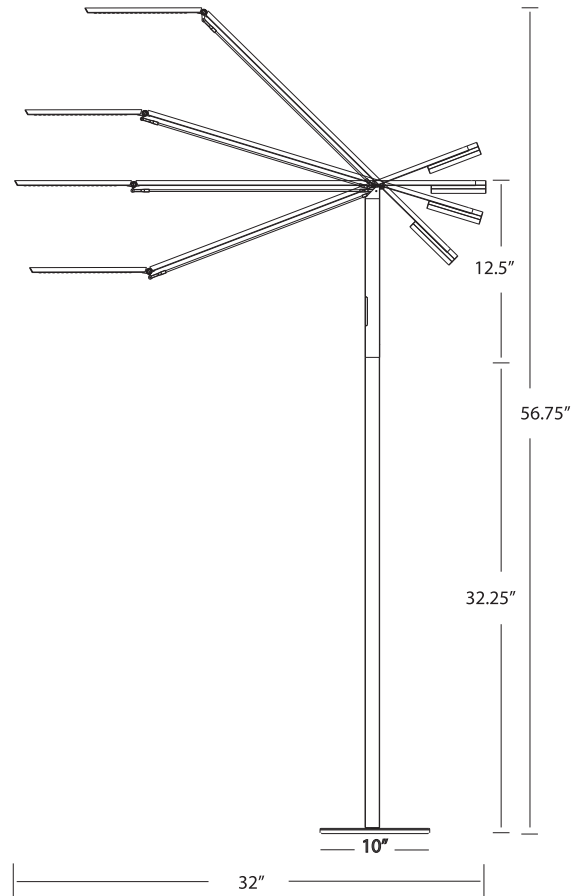
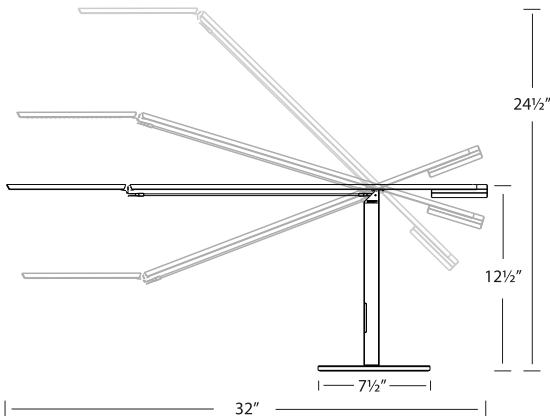
BLK = Black
 CRM = Chrome*
 ORG = Orange
 SIL = Silver

DSK = Desk Lamp
 FLR = Floor Lamp



Occupancy sensor*
(P7-02-OCC01A)

*Sold separately



LEED Information

Integrative Process

To support high-performance, cost-effective project outcomes through an early analysis of the interrelationships among systems.

Koncept's LED desk and task lighting provides finer control over lighting levels in occupied spaces. With personal lighting in place, elimination or downsizing of building lighting systems is possible.

Interior Lighting

To promote occupants' productivity, comfort and well-being by providing high-quality lighting.

Koncept's portable task lighting products provide more than three lighting levels that occupants can easily adjust to suit their needs. Furthermore, all Koncept lighting products use high quality LED light sources with CRI over 80 and L70 rated lifespan over 50,000 hours. Desktop and task personal lighting also provide the opportunity to reduce overhead lighting.

Light source placed 15" away from surface

