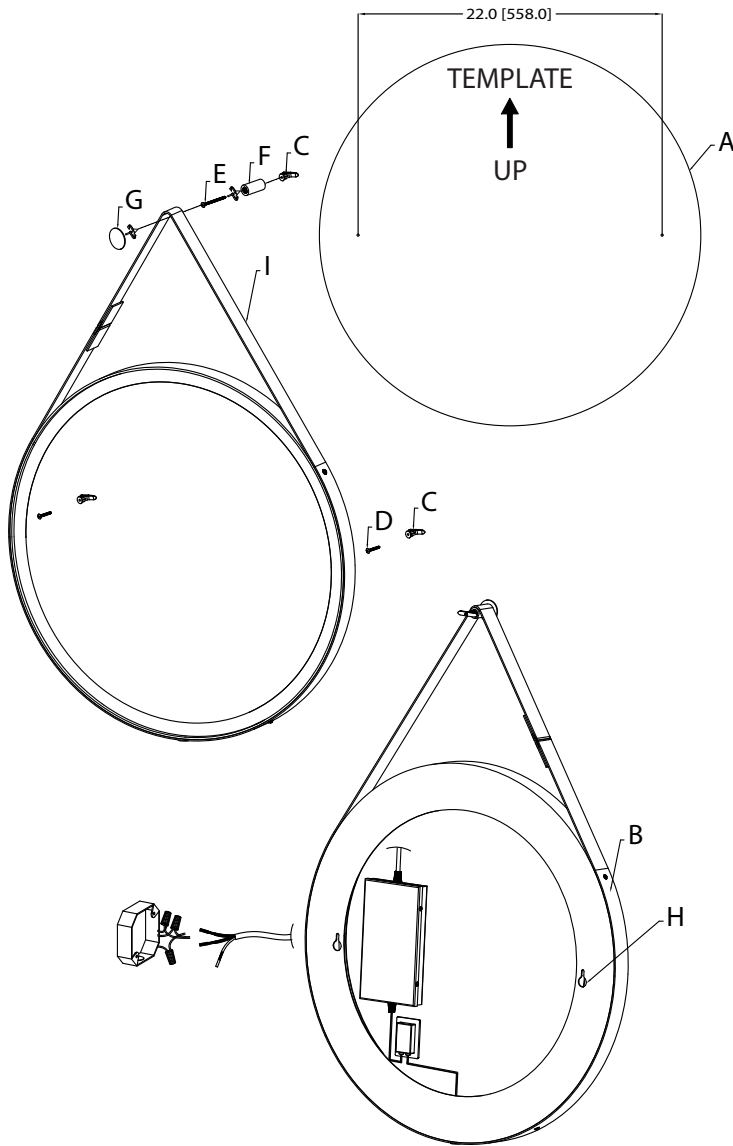


Fixture Diagram



Parts List

- | | | |
|---------------------------|---------------------------|-----------------------------|
| [A] Paper Template | [E] Long Screw | [H] Keyhole Slots |
| [B] Mirror | [F] Threaded Tube | [I] Decorative Strap |
| [C] Wall Anchors | [G] Decorative Cap | |
| [D] Wood Screw | | |

Cautions

CAUTION – RISK OF SHOCK –
Disconnect Power at the main circuit breaker panel or main fusebox before starting and during the installation.

WARNING:
This fixture is intended for installation in accordance with the National Electrical Code (NEC) and all local code specifications. If you are not familiar with code requirements, installation by a certified electrician is recommended.

DIMMING:
This LED fixture is not compatible with wall dimmer switches. Light output can only be adjusted by using the touch dimming switch on the bottom of the mirror.

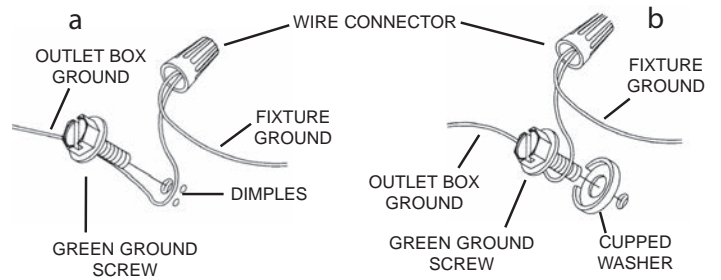
CLEANING:
Always be certain that electric current is turned off before cleaning.
• Only a soft damp cloth should be used. Harsh cleaning products may damage the finish.

FCC Information:

This device complies with part 15 of the FCC Rules. Operation is subject to the following two conditions:
1) This device may not cause harmful interference, and
2) This device must accept any interference received, including interference that may cause undesired operation.
Note: This equipment has been tested and found to comply with the limits for a Class B digital device, pursuant to part 15 of the FCC Rules. These limits are designed to provide reasonable protection against harmful interference in a residential installation. This equipment generates, uses and can radiate radio frequency energy and, if not installed and used in accordance with the instructions, may cause

Installation Instructions

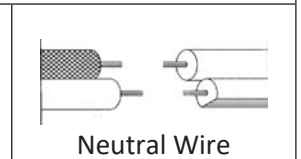
- 1) Use provided paper template **[A]** to locate the desired mounting location for the mirror and to mark the locations required for the wall anchors.
- 2) Use a 15/64 inch drill bit to drill pilot holes at the locations marked in step 1 and insert wall anchors **[C]**.
- 3) Screw all but 1/8 inch length of each wood screw **[D]** into the wall anchors.
- 4) Grounding instructions: (See Illus. a or b).
 - a) On fixtures where mounting strap is provided with a hole and two raised dimples, wrap ground wire from outlet box around green ground screw, and thread into hole.
 - b) On fixtures where a cupped washer is provided, attach ground wire from outlet box under cupped washer and green ground screw, then thread into mounting strap.
 If fixture is provided with ground wire, connect fixture ground wire to outlet box ground wire with wire connector after following the above steps. Never connect ground wire to black or white power supply wires.



- 5) Make wire connections. Reference chart below for correct connections and wire accordingly.

Connect Black or Red Supply Wire to:	Connect White Supply Wire to:
Black	White
*Parallel cord (round & smooth)	*Parallel cord (square & ridged)
Clear, Brown, Gold or Black without Tracer	Clear, Brown, Gold or Black with Tracer
Insulated wire (other than green) with copper conductor	Insulated wire (other than green) with silver conductor

*Note: When parallel wire (SPT 1 & SPT 2) are used. The neutral wire is square shaped or ridged and the other wire will be round in shape or smooth (See illus.)

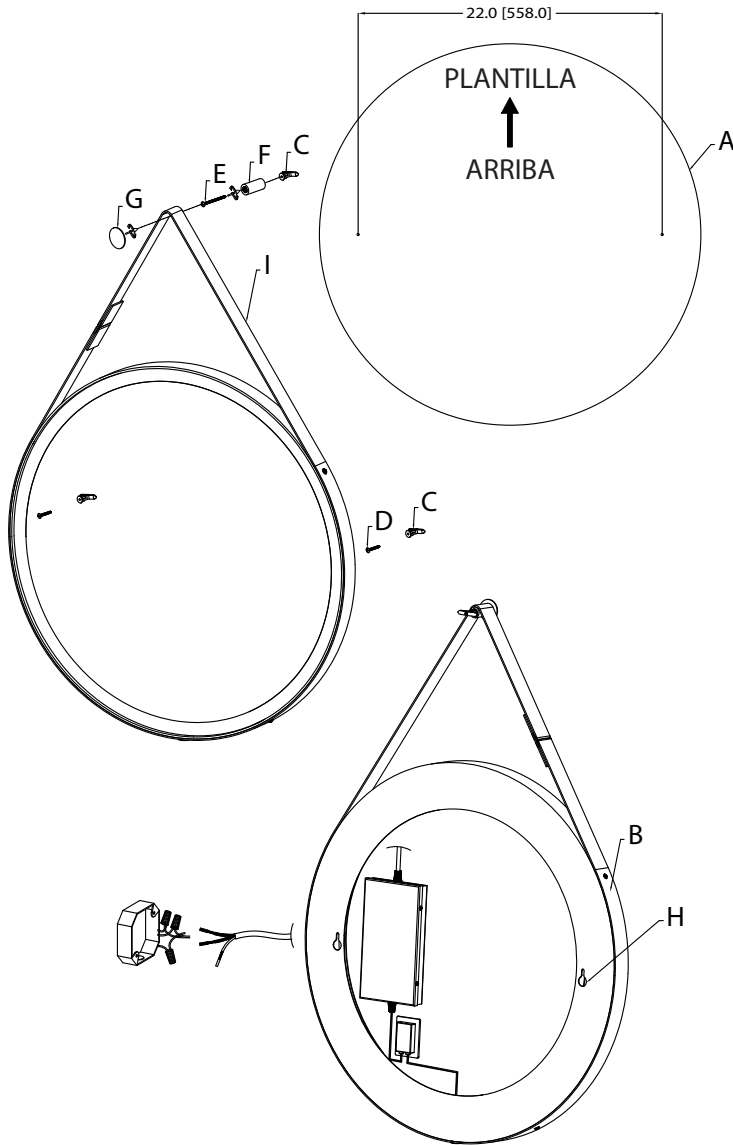


- 6) Hang mirror **[B]** by the keyhole slots **[H]** in the back of the mirror. **NOTE:** the mirror should be oriented so that the narrow portion of the keyhole faces up.
- 7) Extend the decorative strap **[I]** up and mark the hole location for threaded tube **[F]**.
- 8) Use a 15/64 inch drill bit to drill pilot hole and insert the wall anchor **[C]**.
- 9) Take the long screw **[E]** and place into the threaded tube and secure to the installed wall anchor.
- 10) Slide the decorative strap over the installed threaded tube and take the decorative cap **[G]** and thread into the installed threaded tube.
- 11) To change the light output of your mirror, tap the switch on the bottom of the mirror or gently press the switch. The switch is a touch dimming switch.

harmful interference to radio communications. However, there is no guarantee that interference will not occur in a particular installation. If this equipment does cause harmful interference to radio or television reception, which can be determined by turning the equipment off and on, the user is encouraged to try to correct the interference by one or more of the following measures:

- Reorient or relocate the receiving antenna.
- Increase the separation between the equipment and receiver.
- Connect the equipment into an outlet on a circuit different from that to which the receiver is connected.
- Consult the dealer or an experienced radio/TV technician for help.

Diagrama de Accesorios



Lista de Partes

- | | | |
|------------------------|---------------------------|-----------------------|
| [A] Plantilla de Papel | [D] Tornillos para Madera | [G] Tapa Decorativa |
| [B] Espejo | [E] Tornillo Largo | [H] Ranuras |
| [C] Anclajes de Pared | [F] Tubo Roscado | [I] Correa Decorativa |

Precauciones

PRECAUCIÓN – RIESGO DE DESCARGA ELÉCTRICA – Desconecte la electricidad en el panel principal del interruptor automático o caja principal de fusibles antes de comenzar y durante la instalación.

ADVERTENCIA:

Este accesorio está destinado a la instalación de acuerdo con el National Electrical Code (NEC) y todas las especificaciones del código local. Si no está familiarizado con los requisitos del código, la instalación se recomienda un electricista certificado.

REGULACIÓN DE INTENSIDAD DE LUZ:

Este artefacto LED no es compatible con los interruptores de atenuación de luz de pared. La salida de luz sólo se puede ajustar utilizando el interruptor de atenuación táctil situado en la parte inferior del espejo.

LIMPIEZA:

Asegúrese siempre de que la corriente eléctrica esté apagada antes de limpiar.

- Debe usarse solamente un paño húmedo y suave. Productos de limpieza abrasivos pueden dañar el acabado.

Información de la FCC:

Este dispositivo cumple con la parte 15 de las Reglas de la FCC. La operación es sujeto a las dos condiciones siguientes:

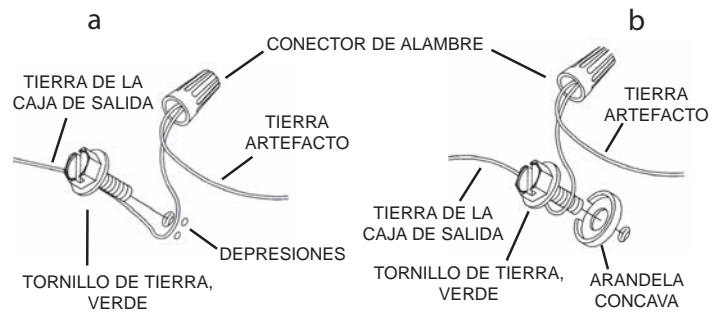
- 1) Este dispositivo no puede causar interferencia dañina, y
- 2) Este dispositivo debe aceptar cualquier interferencia recibida, incluyendo interferencias que puedan causar un funcionamiento no deseado.

Nota: Este equipo ha sido probado y cumple con los límites para un dispositivo digital de Clase B, de acuerdo con la parte 15 de las Reglas de la FCC. Estos límites están diseñados para proveer protección razonable contra interferencias dañinas en una instalación residencial. Este equipo genera, utiliza y puede irradiar energía de radiofrecuencia y, si no se instala y utiliza de acuerdo con las instrucciones, puede causar interferencias en las comunicaciones por radio. Sin embargo, no hay

Instrucciones de Instalación

- 1) Utilice la plantilla de papel [A] suministrada para localizar la ubicación de montaje deseada para el espejo y para marcar las ubicaciones necesarias para los anclajes de pared.
- 2) Utilice una broca de 15/64 pulgadas para taladrar los orificios piloto en las ubicaciones marcadas en el paso 1 e inserte los anclajes de pared [C].
- 3) Atornille todos los tornillos para madera [D] en los anclajes de la pared, menos 1/8 de pulgada de largo.
- 4) Instrucciones de conexión a tierra solamente para los Estados Unidos. (Vea la ilustración a o b).
 - a) En las lámparas que tienen la abrazadera de montaje con un agujero y dos hoyuelos realizados, enrollar el alambre a tierra de la caja tomacorriente alrededor del tornillo verde y pasarlo por el agujero.
 - b) En las lámparas con una arandela acopada, fijar el alambre a tierra de la caja tomacorriente del ajo de la arandela acuada y tornillo verde, y pasar por la abrazadera de montaje.

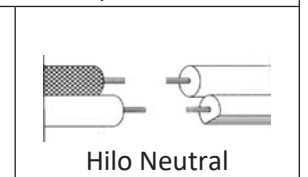
Si la lámpara viene con alambre a tierra, conectar el alambre a tierra de la lámpara al alambre a tierra de la caja tomacorriente con un conector de alambres después de seguir los pasos anteriores. Nunca conectar el alambre a tierra a los alambres eléctricos negro o blanco.



- 5) Haga las conexiones de los alambres. La tabla de referencia de abajo indica las conexiones correctas y los alambres correspondientes.

Conectar el alambre de suministro negro o rojo al	Conectar el alambre de suministro blanco al
Negro	Blanco
*Cordon paralelo (redondo y liso)	*Cordon paralelo (cuadrado y estriado)
Claro, marrón, amarillo o negro sin hebra identificadora	Claro, marrón, amarillo o negro con hebra identificadora
Alambre aislado (diferente del verde) con conductor de cobre	Alambre aislado (diferente del verde) con conductor de plata

*Nota: Cuando se utiliza alambre paralelo (SPT 1 y SPT 2). El alambre neutro es de forma cuadrada o estriada y el otro alambre será de forma redonda o lisa. (Vea la ilustración).

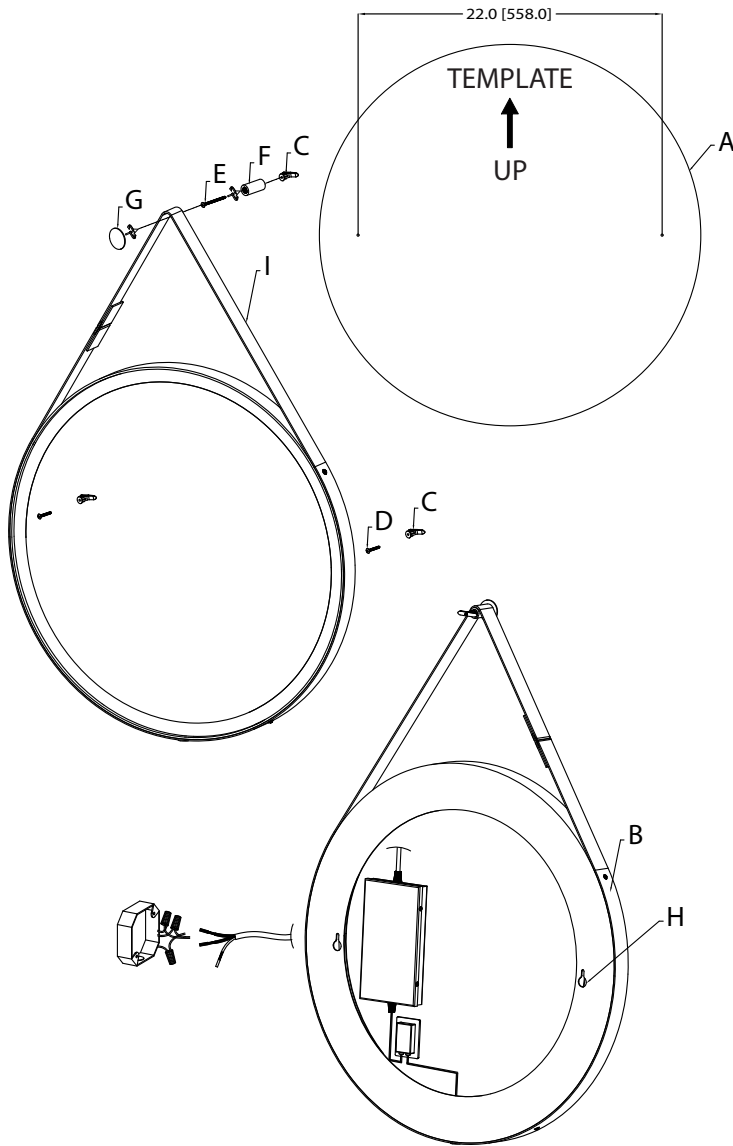


- 6) Cuelgue el espejo [B] en las ranuras [H] de la parte posterior del espejo. **NOTA:** el espejo debe orientarse de manera que la parte estrecha de la ranura mire hacia arriba.
- 7) Extienda la correa decorativa [I] hacia arriba y marque la ubicación del orificio para el tubo roscado [F].
- 8) Utilice una broca de 15/64 pulgadas para taladrar el orificio piloto e inserte el anclaje de pared [C].
- 9) Tome el tornillo largo [E] y colóquelo en el tubo roscado y fíjelo al anclaje de pared instalado.
- 10) Deslice la correa decorativa sobre el tubo roscado instalado y tome la tapa decorativa [G] y enrosque en el tubo roscado instalado.
- 11) Para cambiar la salida de luz de su espejo, pulse el interruptor en la parte inferior del espejo o pulse suavemente el interruptor. El interruptor es un interruptor de atenuación táctil.

garantizar que no se produzcan interferencias en una instalación en particular. Si este equipo causa interferencia perjudicial a la recepción de radio o televisión, que puede determinarse encender y apagar el equipo, se recomienda al usuario que intente corregir la interferencia mediante una o más de las siguientes medidas:

- Reorientar o reubicar la antena receptora.
- Aumente la separación entre el equipo y el receptor.
- Conecte el equipo a una toma de corriente en un circuito distinto al que está conectado el receptor.
- Consulte al distribuidor o a un técnico de radio / TV experimentado para obtener ayuda.

Fixture Diagram



Parts List

- | | | |
|---------------------------|---------------------------|-----------------------------|
| [A] Paper Template | [E] Long Screw | [H] Keyhole Slots |
| [B] Mirror | [F] Threaded Tube | [I] Decorative Strap |
| [C] Wall Anchors | [G] Decorative Cap | |
| [D] Wood Screw | | |

Cautions

CAUTION – RISK OF SHOCK –
Disconnect Power at the main circuit breaker panel or main fusebox before starting and during the installation.

WARNING:
This fixture is intended for installation in accordance with the National Electrical Code (NEC) and all local code specifications. If you are not familiar with code requirements, installation by a certified electrician is recommended.

DIMMING:
This LED fixture is not compatible with wall dimmer switches. Light output can only be adjusted by using the touch dimming switch on the bottom of the mirror.

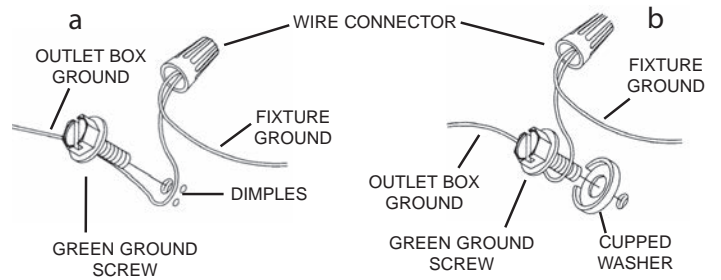
CLEANING:
Always be certain that electric current is turned off before cleaning.
• Only a soft damp cloth should be used. Harsh cleaning products may damage the finish.

FCC Information:

This device complies with part 15 of the FCC Rules. Operation is subject to the following two conditions:
1) This device may not cause harmful interference, and
2) This device must accept any interference received, including interference that may cause undesired operation.
Note: This equipment has been tested and found to comply with the limits for a Class B digital device, pursuant to part 15 of the FCC Rules. These limits are designed to provide reasonable protection against harmful interference in a residential installation. This equipment generates, uses and can radiate radio frequency energy and, if not installed and used in accordance with the instructions, may cause

Installation Instructions

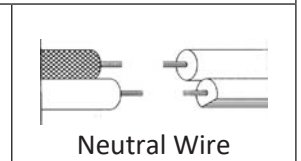
- 1) Use provided paper template **[A]** to locate the desired mounting location for the mirror and to mark the locations required for the wall anchors.
- 2) Use a 15/64 inch drill bit to drill pilot holes at the locations marked in step 1 and insert wall anchors **[C]**.
- 3) Screw all but 1/8 inch length of each wood screw **[D]** into the wall anchors.
- 4) Grounding instructions: (See Illus. a or b).
 - a) On fixtures where mounting strap is provided with a hole and two raised dimples, wrap ground wire from outlet box around green ground screw, and thread into hole.
 - b) On fixtures where a cupped washer is provided, attach ground wire from outlet box under cupped washer and green ground screw, then thread into mounting strap.
 If fixture is provided with ground wire, connect fixture ground wire to outlet box ground wire with wire connector after following the above steps. Never connect ground wire to black or white power supply wires.



- 5) Make wire connections. Reference chart below for correct connections and wire accordingly.

Connect Black or Red Supply Wire to:	Connect White Supply Wire to:
Black	White
*Parallel cord (round & smooth)	*Parallel cord (square & ridged)
Clear, Brown, Gold or Black without Tracer	Clear, Brown, Gold or Black with Tracer
Insulated wire (other than green) with copper conductor	Insulated wire (other than green) with silver conductor

*Note: When parallel wire (SPT 1 & SPT 2) are used. The neutral wire is square shaped or ridged and the other wire will be round in shape or smooth (See illus.)

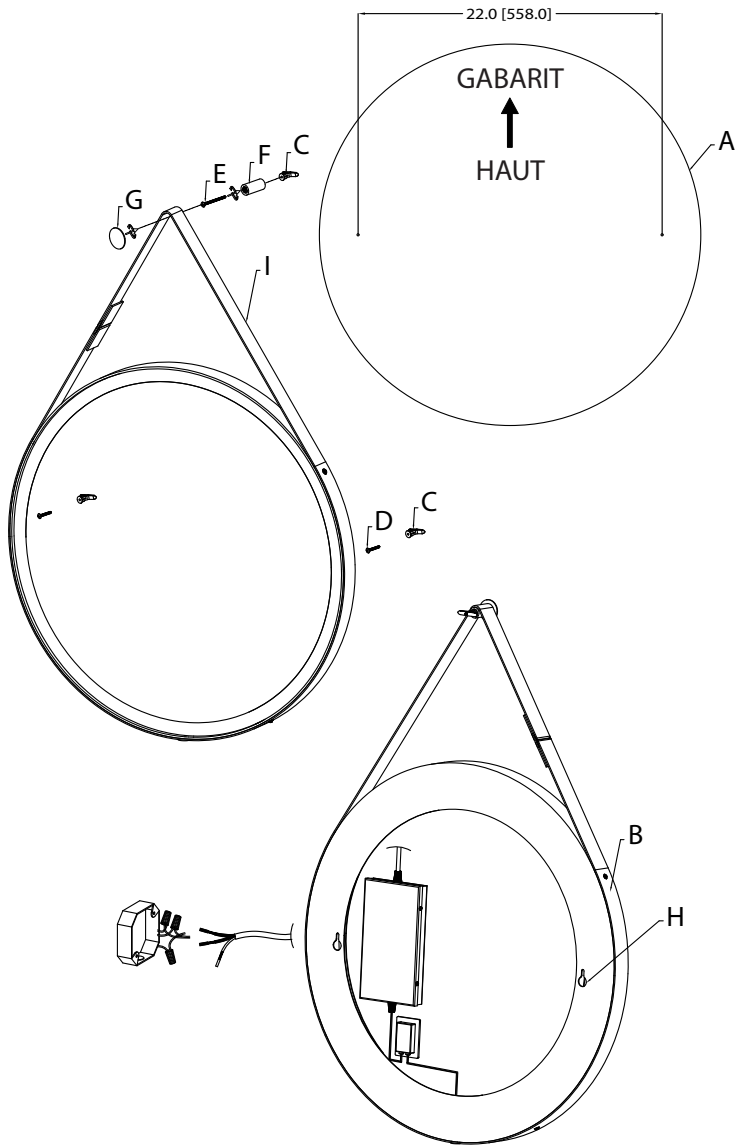


- 6) Hang mirror **[B]** by the keyhole slots **[H]** in the back of the mirror. **NOTE:** the mirror should be oriented so that the narrow portion of the keyhole faces up.
- 7) Extend the decorative strap **[I]** up and mark the hole location for threaded tube **[F]**.
- 8) Use a 15/64 inch drill bit to drill pilot hole and insert the wall anchor **[C]**.
- 9) Take the long screw **[E]** and place into the threaded tube and secure to the installed wall anchor.
- 10) Slide the decorative strap over the installed threaded tube and take the decorative cap **[G]** and thread into the installed threaded tube.
- 11) To change the light output of your mirror, tap the switch on the bottom of the mirror or gently press the switch. The switch is a touch dimming switch.

harmful interference to radio communications. However, there is no guarantee that interference will not occur in a particular installation. If this equipment does cause harmful interference to radio or television reception, which can be determined by turning the equipment off and on, the user is encouraged to try to correct the interference by one or more of the following measures:

- Reorient or relocate the receiving antenna.
- Increase the separation between the equipment and receiver.
- Connect the equipment into an outlet on a circuit different from that to which the receiver is connected.
- Consult the dealer or an experienced radio/TV technician for help.

Diagramme d'appareils



Liste des Pièces

- | | | |
|------------------------------|-------------------------------|--------------------------------------|
| [A] Gabarit en Papier | [E] Longue Vis | [H] Trous en Forme de Serrure |
| [B] Miroir | [F] Tube Fileté | [I] Bande Décorative |
| [C] Ancrages | [G] Capuchon Décoratif | |
| [D] Vis à Bois | | |

Précautions

ATTENTION – RISQUE DE DÉCHARGES ÉLECTRIQUES -
Couper le courant au niveau du panneau du disjoncteur du circuit principal ou de la boîte à fusibles principale avant de procéder à l'installation.

AVERTISSEMENT:
Ce luminaire doit être installé conformément aux codes d'électricité nationaux (NEC) et satisfaire toutes les spécifications des codes locaux. Si vous ne connaissez pas les exigences de ces codes, il est recommandé de confier l'installation à un électricien certifié.

RÉGLAGE DE L'INTENSITÉ :
Ce luminaire LED n'est pas compatible avec les gradateurs muraux. Le flux lumineux ne peut être réglé qu'en utilisant l'interrupteur de gradation tactile situé au bas du miroir.

NETTOYAGE :
Soyez toujours certain que l'alimentation électrique du luminaire est fermée avant le nettoyage.
• N'utilisez qu'un chiffon doux humide. Les produits de nettoyage acides/abrasifs peuvent endommager le fini.

FCC Information:

Cet appareil est conforme à la section 15 de la réglementation de la FCC. L'exploitation est soumise aux deux conditions suivantes :

- 1) Cet équipement ne doit pas causer d'interférences nuisibles, et
- 2) Cet équipement doit accepter toute interférence reçue, y compris les interférences risquant d'engendrer un fonctionnement indésirable.

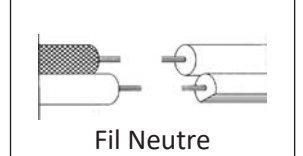
Remarque: Des tests ont confirmé que ce matériel respecte les limites d'un dispositif numérique de catégorie B, en vertu de la section 15 de la réglementation de la FCC. Ces limites ont été conçues pour fournir une protection raisonnable contre le brouillage nuisible d'une installation résidentielle. Cet équipement génère, utilise et peut rayonner de l'énergie radiofréquence et, s'il n'est pas installé et utilisé selon les instructions, peut causer de l'interférence nuisible aux communications de radio.

Instructions d'installation

- 1) Utilisez le gabarit en papier **[A]** (fourni) et localisez l'emplacement de montage du miroir. Marquez les emplacements requis pour les ancrages muraux.
- 2) Utilisez un foret de 15/64 po pour percer des trous guides aux emplacements marqués au cours de l'étape 1 et insérez les ancrages dans le mur **[C]**.
- 3) Vissez toute la longueur des vis à bois **[D]** en laissant toutefois 1/8 po de longueur dans les ancrages muraux.
- 4) Connecter les fils. Se reporter au tableau ci-dessous pour faire les connexions.

Connecter le fil noir ou rouge de la boîte	Connecter le fil blanc de la boîte
A Noir	A Blanc
*Au cordon parallèle (rond et lisse)	*Au cordon parallèle (à angles droits et strié)
Au transparent, doré, marron, ou noir sans fil distinctif	Au transparent, doré, marron, ou noir avec un til distinctif
Fil isolé (sauf fil vert) avec conducteur en cuivre	Fil isolé (sauf fil vert) avec conducteur en argent

*Remarque: Avec emploi d'un fil parallèle (SPT 1 et SPT 2). Le fil neutre est à angles droits ou strié et l'autre fil doit être rond ou lisse (Voir le schéma).



- 5) Accrochez le miroir **[B]** aux emplacements des trous en forme de serrure **[H]** à l'arrière du miroir. **REMARQUE :** Le miroir doit être orienté de sorte que la partie étroite du trou en forme de serrure soit tournée vers le haut.
- 6) Étendez la bande décorative **[I]** et marquez l'emplacement du trou pour le tube fileté **[F]**.
- 7) Utilisez un foret de 15/64 po pour percer un trou guide et insérez l'ancrage dans le mur **[C]**.
- 8) Prenez la longue vis **[E]**, placez-la ensuite dans le tube fileté et fixez-la à l'ancrage mural installé.
- 9) Faites glisser la bande décorative sur le tube fileté installé, prenez le capuchon décoratif **[G]** et vissez-le dans le tube fileté installé.
- 10) Pour modifier le flux lumineux de votre miroir, appuyez sur le commutateur situé au bas du miroir ou appuyez doucement sur le commutateur. Le commutateur est de type gradation tactile.