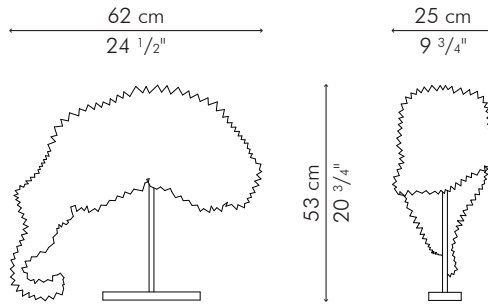




# DRAGON'S TAIL

## TABLE LAMP



 1.5 kg / 3 lbs

 4 kg / 9 lbs

 0.153 m<sup>3</sup>

2 x 40 watts

Portable pre-wired lamp  
E26 / E27

110V 60Hz / 230V 50Hz

**INDOOR** specialty paper, stainless steel



Cream

LTDT-C-0920