

# LED Product Information and Warnings

## Important

- **Always disconnect the power before installing or replacing bulbs and before cleaning or other maintenance.**
- **Consult a qualified, licensed electrician to ensure correct branch circuit conductor.**
- Please read all included assembly instructions and warnings carefully before installation. Contact Customer Service if you have any questions or concerns. Before installation, please confirm that the fixture is compatible with your supply voltage and dimming system, if present.
- LEDs are highly sensitive electronic devices, and must be treated with care. Do not open any factory sealed compartments, and avoid touching the LEDs with your hands or any object.
- Although all our fixtures are equipped with protective devices, LED fixtures are vulnerable to power surges and supply variations. Do not install LED fixtures on the same circuit as any motors, appliances, or HVAC systems.
- Do not remove or bypass any LED Driver or Transformer that is provided with the fixture, and do not replace or substitute with another power supply.
- Remote LED Driver or Transformer installation must be done by a licensed electrician and in accordance with local codes. Remote installations should be in an accessible location, as close to the fixture as possible.
- Fixtures must be wired in parallel on independent leads; do not "daisy chain" multiple fixtures together or wire them in series.
- All factory-made splices and connections must remain intact. LED circuits are carefully designed and built, and improper connections may damage the fixture.
- The ends of coaxial pendant cords have been precisely stripped and split at the factory and must not be field cut. Excess cord or cable should be neatly coiled and reserved in the fixture canopy.
- Any mounting hardware is provided for your convenience and should be used with discretion. Always use the appropriate hardware for the mounting surface.

July 8, 2020

# Assembly Instructions

## INSTRUCTIONS D'INSTALLATION

Keel Series - 22", 28", 36", 44" LED Bath Bar

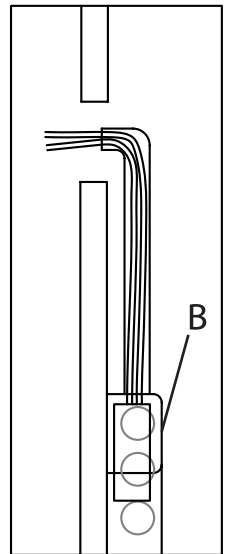
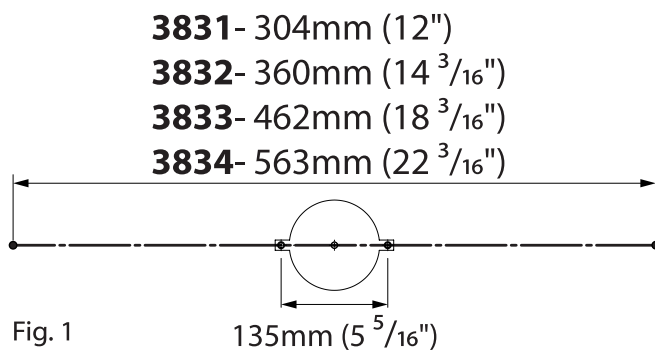
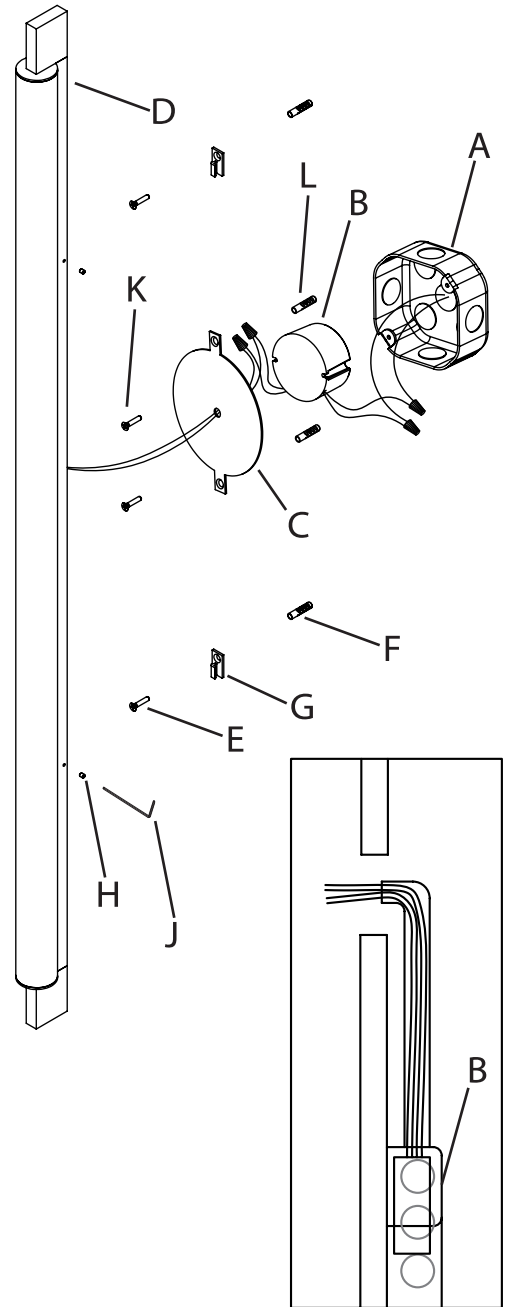
3831, 3832, 3833, 3834

### Important

- **Always disconnect the power before installing and before cleaning or other maintenance.**
- **Consult a qualified, licensed electrician to ensure correct branch circuit conductor.**  
*Consulter un électricien qualifié pour vous assurer que les conducteurs de la dérivation sont adéquats.*

1. Shut off power to the outlet box (A) or branch circuit.
2. Before removing the brackets (G) from the fixture (D), place the fixture against the wall and mark the location of the brackets on the wall.
3. Use the Allen key (J) to to loosen the set screws (H) and remove the brackets (G).
4. Attach the brackets (G) to the wall with anchors (F) and screws (E) in the locations marked in step 2.

5. **Outlet Box Driver:** Make appropriate connections using wire nuts:
  - Note:** Outlet box cover plate (BKP.3831.xx) (C) is sold separately.
  - a. Connect the LED driver's (B) live wire to the live outlet box wire.
  - b. Connect the LED driver's neutral wire to the neutral outlet box wire.
  - c. Insert fixture wires through center hole in cover plate (C).
  - d. Connect the LED driver's positive (+) output wire to the red fixture wire.
  - e. Connect the LED driver's negative (-) output wire to the black fixture wire.
  - f. Carefully place all connections in outlet box.
  - g. Install cover plate (C) to wall with countersunk screws (K) and anchors (L).
- Remote Driver:** The driver must be installed in a remote and accessible location in accordance with local electrical code (Fig. 2). Make appropriate connections using wire nuts:
  - a. Connect the LED driver's live wire to the live branch circuit conductor.
  - b. Connect the LED driver's neutral wire to the neutral branch circuit conductor.
  - c. Connect the LED driver's positive (+) output wire (red) to the necessary length of red wire (not included) to reach the fixture (D) location.
  - d. Connect the LED driver's negative (-) output wire (black) to the necessary length of black wire (not included) to reach the fixture location.
  - e. Drill a small hole in the wall behind the fixture (D) and pull the low voltage wires through the wall.
  - f. Connect the positive (red) low voltage wire to the red fixture wire.
  - g. Connect the negative (black) low voltage wire to the black fixture wire.
  - h. Carefully push connections and extra wires back through the hole in the wall.
6. Attach the fixture (D) to the brackets (G) by using Allen key (J) to tighten set screws (H).
7. Restore power to the outlet box (A) or branch circuit.



### Note

- **These fixtures are dimmable with Electronic Low Voltage (Trailing-Edge) type dimmers and Incandescent (Leading-Edge) type dimmers.**

### Care Instructions

- **Dusting:** Use a clean, dry cloth.
- **Cleaning:** To protect the finish, avoid any harsh abrasives or chemicals.