

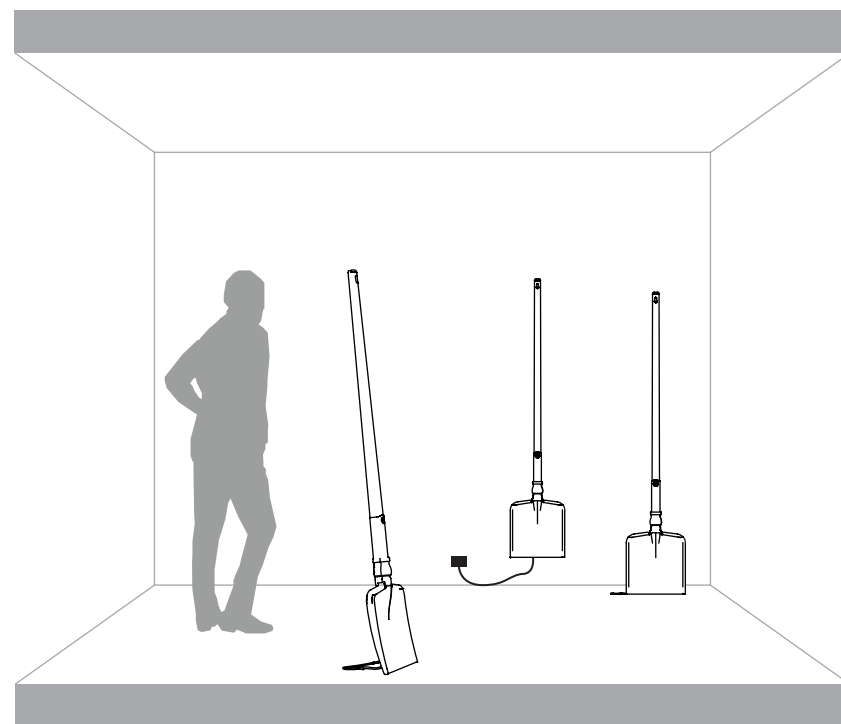
TOBIA



HP145 1F INT
HP145 2P INT
HP145 3R INT

AC145 5A INT
AC145 4A INT

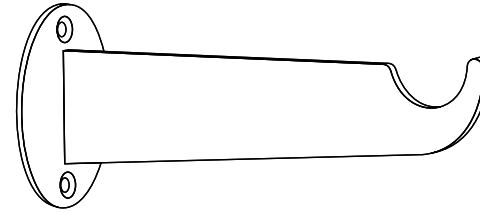
220-240V
17,2W LED, 1550 lumen - 3000K, dimmable



Karman srl

Via A. Grandi, San Martino del piano, 61034 Fossombrone (PU), Italy - p.iva 02175640412 tel +39 0721 71 5042 r.a fax +39 0721 716640 - www.karmanitalia.it

1x AC145 4A INT

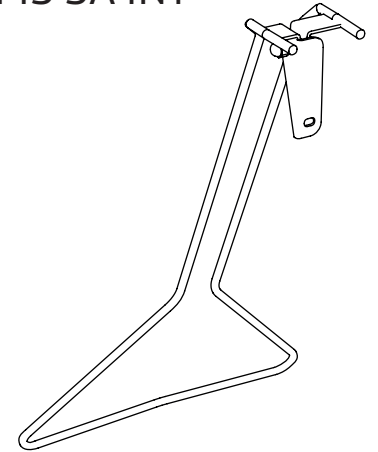


+

2x F

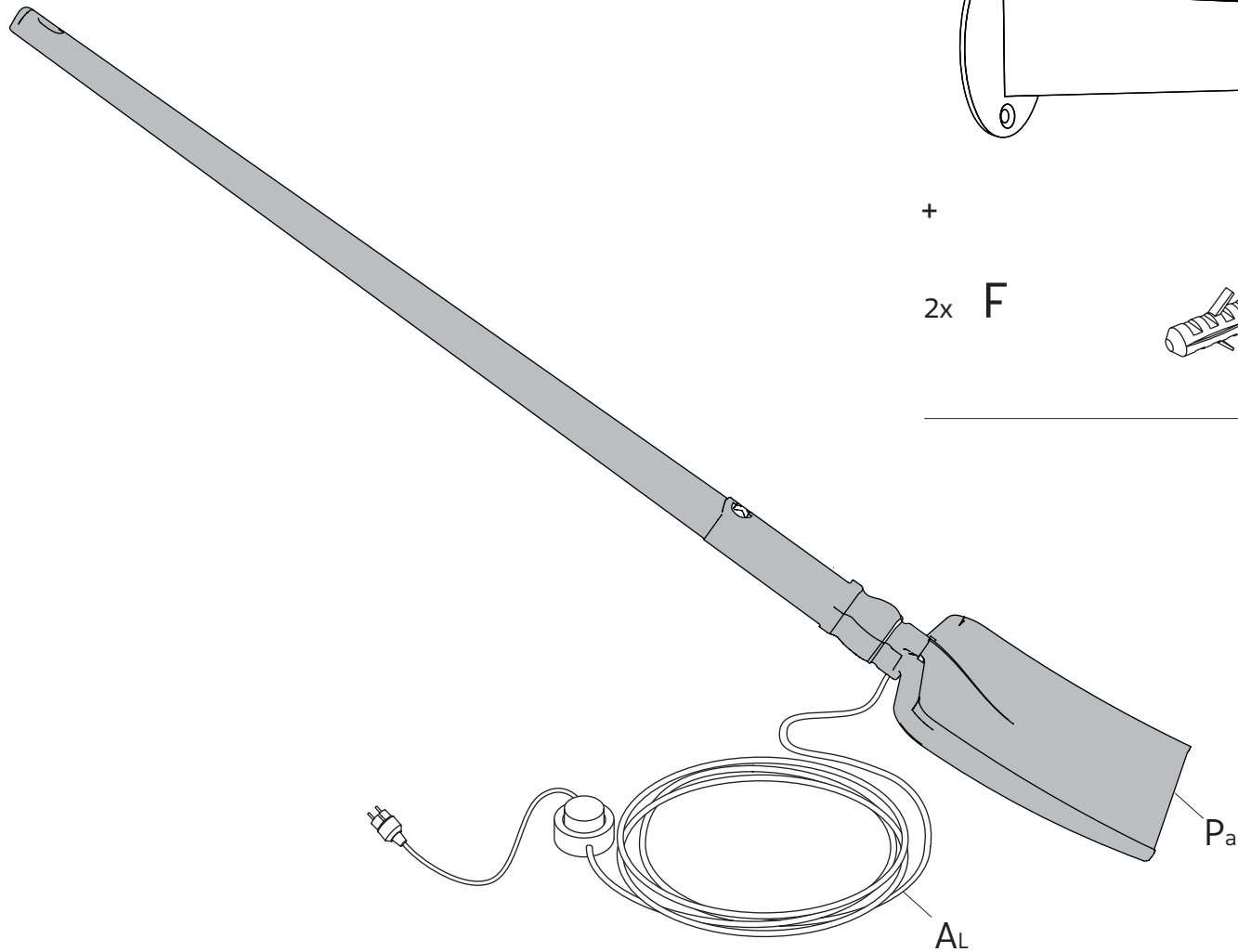


1x AC145 5A INT

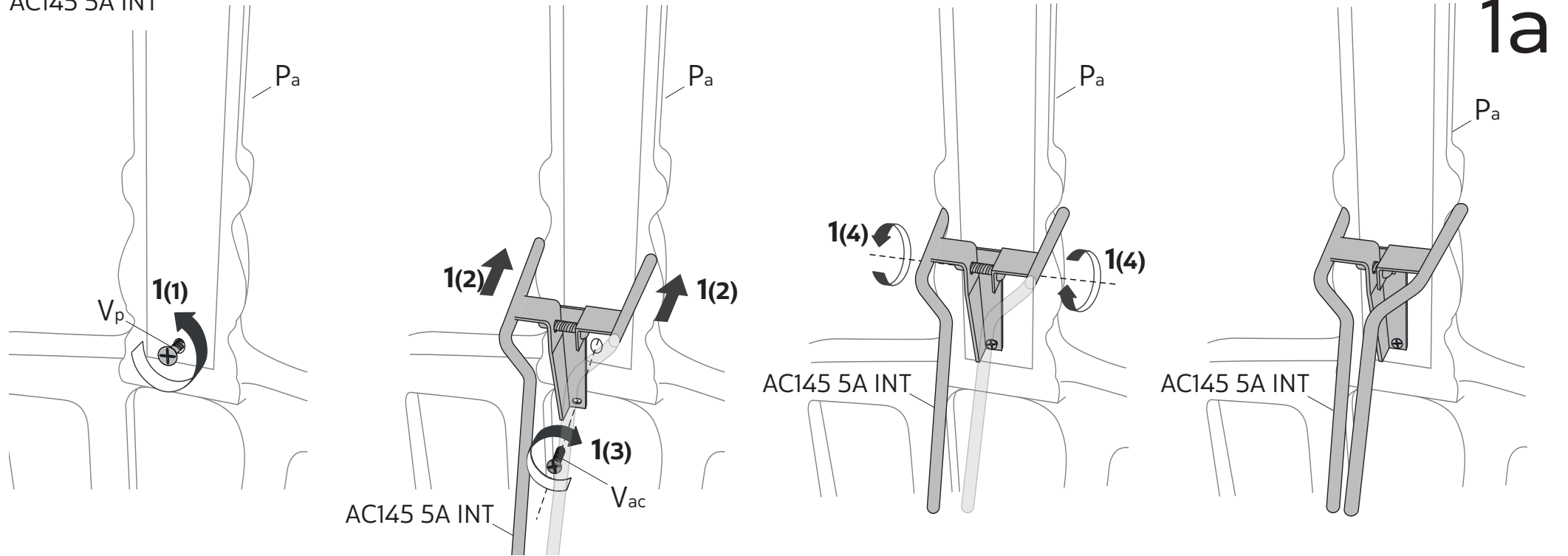


+

1x Vac



AC145 5A INT



AC145 4A INT

